



PARTS CATALOGUE

YDRAX3 (JW84) CANADA,EUROPE,OTHERS

1MJW8-100E1

()



NEWS No.	DATE	COMMENT
PE0-GC-130009	Oct.,29,2013	MOD: ALTERNATE FOR SUN ROOF LIST&ILLUST REVISION

2013/11/07

YDRAX3
PARTS CATALOGUE
©2012 by Yamaha Motor Co., Ltd.
1st edition, June 2012
All rights reserved.
Any reprinting or unauthorized use
without the written permission of
Yamaha Motor Co., Ltd.
is expressly prohibited.
Printed in Japan.

FOREWORD

This Parts Catalogue is related to the parts for the model(s) on the cover page. When you are ordering replacement parts, please refer to this Parts Catalogue and quote both part numbers and part names correctly.

1. Modifications or additions which have been made after the issue of the Parts Catalogue will be announced in the Parts News.

It is advisable that you make the necessary corrections to the Parts Catalogue according to the Parts News.

2. Abbreviations

The following abbreviations are used in this Parts Catalogue.

“UR” Use specified parts number.

“UN” Use as many as needed.

“AP” Alternate Parts

“LM” Locally Made (Parts need to be ordered locally)

“F#” Frame No. (Applicable machine No.)

“O/S” Over Size

3. The number of components for assembly

- Parts, which are to be supplied in an assembly, are listed with a dot (.) in front of the part name as shown below.
- The numeral appearing to the right of each component part indicates the quantity of parts for each assembly unit.

PART NO.	DESCRIPTION	Q'TY	REMARKS
2F5-83310-60	FRONT FLASHER LIGHT ASSY	2	
115-83311-60	.BULB (6V-18W)	1	

4. Applicable colours of graphics are represented in the “REMARKS” as shown below.

PART NO.	DESCRIPTION	Q'TY	REMARKS
2N4-24110-00-X5	FUEL TANK COMP.	2	MXR
3J1-24240-10	.GRAPHIC, FUEL TANK	1	FOR MXR

5. Note that the illustrations for reference in finding parts numbers are not to be used for assembling. When assembling, please use the applicable service manual.

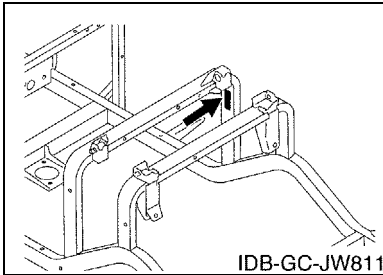
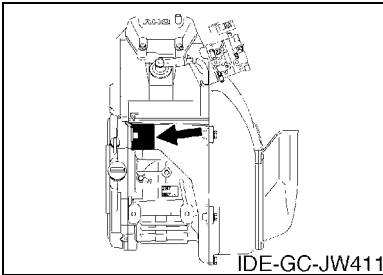
6. The asterisk (*) before a reference number indicates modified items after the first edition.

FOREWORD

7. Applicable Serial No.

Engine Serial No.

Frame Serial No.



10. Applicable Starting Serial No.

Frame Serial No.

Serial No.	Name Of Q'ty Column	Model Code
JW8-300101	JW84	JW84

8. Applicable Colour Code (The (*) mark shows Model colour.)

Abbreviation	Colour Name	Colour Code
BMG(*)	BLACK METALLIC G	1050
DPBST(*)	DARK PURPLISH BLUE SOLID T	1220
HTR(*)	HEAT RED	00EY
LNMP(*)	LIGHT GRAY METALLIC P	0925
LN YM8(*)	LIGHT GRAYISH YELLOW ME 8	1047
VDGS1(*)	VERY DARK GREEN SOLID 1	0614
WS7(*)	WHITE SOLID 7	1045

9. Quantity Column Information

Column No.	Name Of Q'ty Column	Destination
1	JW84	CANADA,EUROPE,OTHERS

CONTENTS

ENGINE 1	1
----------------	---

ENGINE

CYLINDER HEAD	2
CRANKSHAFT & PISTON	3
CAMSHAFT & VALVE	4
AIR SHROUD & FAN	5
INTAKE	6
CARBURETOR	7
EXHAUST	8
CRANKCASE	9

BODY

ENGINE BRACKET	10
REAR ARM & SUSPENSION	11
FRAME	12
FRONT SUSPENSION	13
STEERING	15
FUEL TANK 1	17
FUEL TANK 2	19
PEDAL ASSEMBLY	20
GOVERNOR	23

DRIVE

PRIMARY SHEAVE	24
SECONDARY SHEAVE	25
TRANSAXLE & BRAKE	26
SHIFTER & CABLES	29
WHEEL	30
BUMPER	31
BODY	32
BODY 2	34
BODY FITTING	35
CARRIER	36
SEAT	37

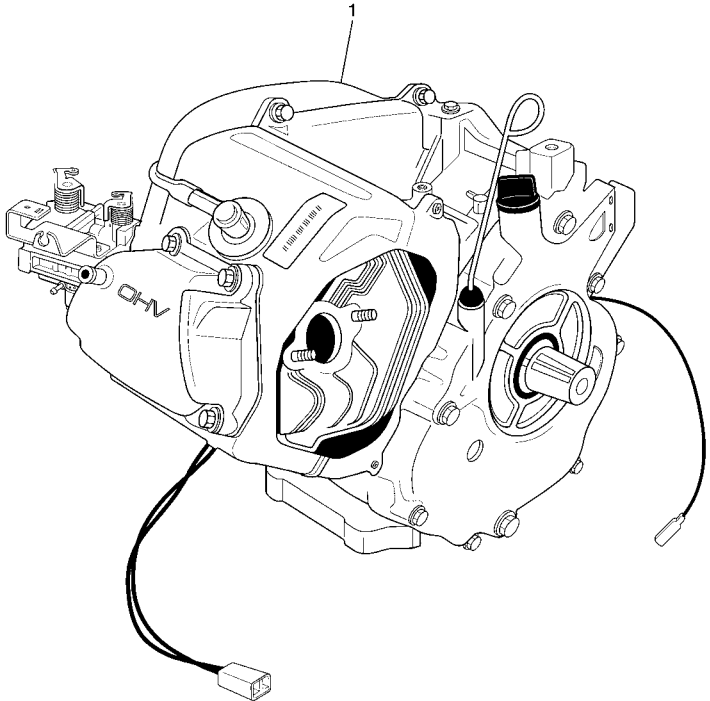
ELECTRICAL

STARTING MOTOR	38
ELECTRICAL 1	40
ELECTRICAL 2	41
ALTERNATE FOR SUN ROOF	43

INDEX

NUMERICAL INDEX	44
-----------------------	----

FIG. 1 ENGINE 1



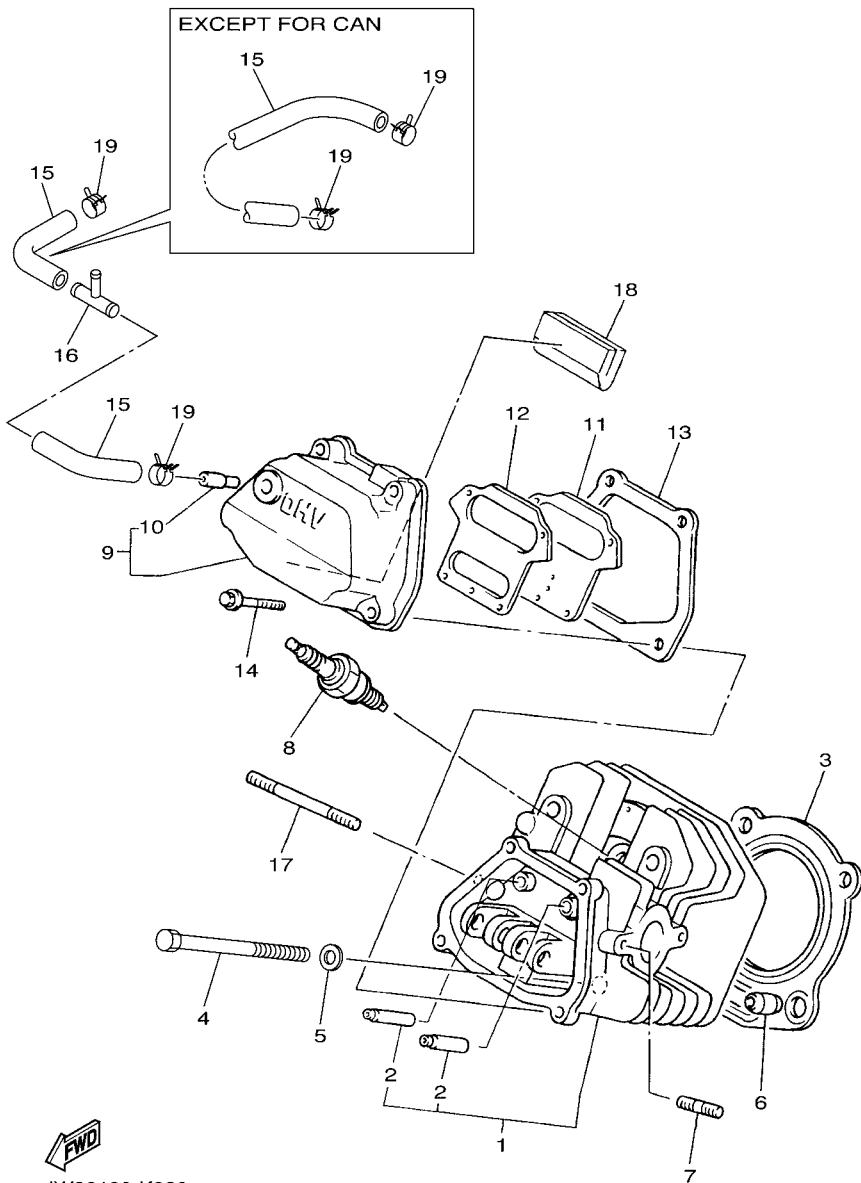
REF. NO.	PART NO.	DESCRIPTION	JW84					REMARKS
1	JR6-19001-00	ENGINE ASSEMBLY	1					



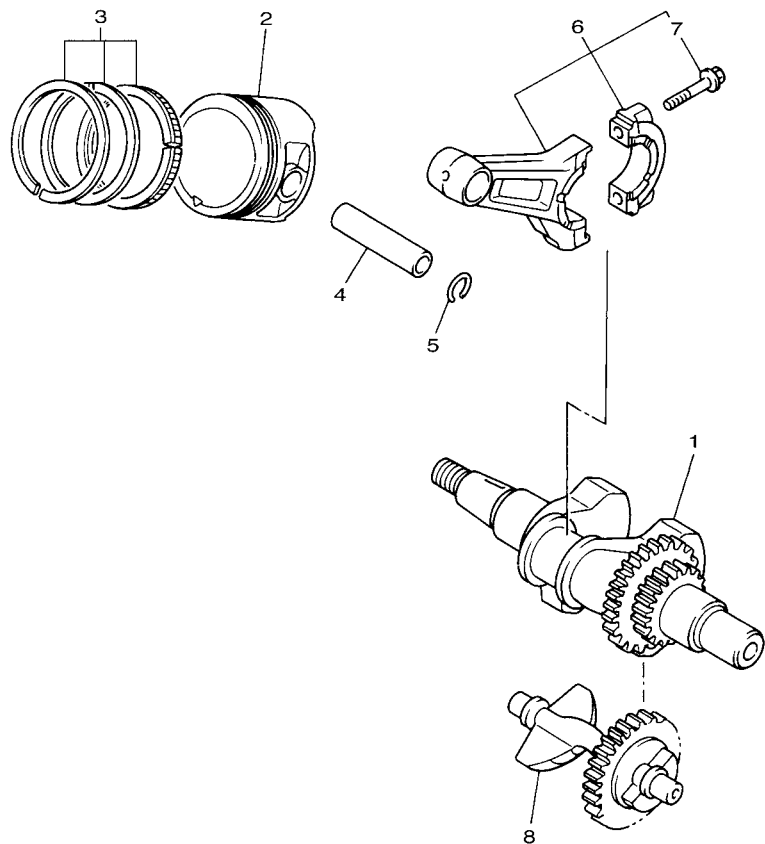
JW41110-C010

FIG. 2 CYLINDER HEAD

REF. NO.	PART NO.	DESCRIPTION	JW84				REMARKS
1	JT0-11111-00	HEAD, CYLINDER 1	1				
2	JN6-11133-10	.GUIDE, VALVE 1	2				
3	JT0-11181-00	GASKET, CYLINDER HEAD 1	1				
4	97012-10070	BOLT	4				
5	90201-10057	WASHER, PLATE	4				
6	99530-14016	PIN, DOWEL	2				
7	95622-08618	BOLT, STUD	2				
8	94702-00348	PLUG, SPARK (NGK-BPR2ES)	1				STD
	94702-00343	PLUG, SPARK (NGK BP4ES)	1				AP
9	JN6-11191-01	COVER, CYLINDER HEAD 1	1				
10	JN6-11116-00	.JOINT, BREATHER	1				
11	JN6-11168-00	COVER, BREATHER	1				
12	JN6-11169-00	GASKET, BREATHER COVER	1				
13	JN6-11193-00	GASKET, HEAD COVER 1	1				
14	95822-06030	BOLT, FLANGE	4				
15	JW1-E1166-00	PIPE, BREATHER 1	2				UR FOR CAN
	JN6-E1166-00	PIPE, BREATHER 1	1				UR EXCEPT FOR CAN
16	JW1-E1116-00	JOINT, BREATHER	1				FOR CAN
17	95602-08710	BOLT, STUD	2				
18	JR7-11163-10	ELEMENT	1				
19	90467-13847	CLIP	2				



JW82100-K020



JN7010-6021

FIG. 3 CRANKSHAFT & PISTON

REF. NO.	PART NO.	DESCRIPTION	JW84			REMARKS
1	JN6-11400-00	CRANKSHAFT ASSY	1			
2	JR7-11631-00-A0	PISTON (STD)	1			
	JR7-11635-00	PISTON (0.25MM O/S)	1			AP
	JR7-11636-00	PISTON (0.50MM O/S)	1			AP
3	JR7-11610-00	PISTON RING SET (STD)	1			
	JR7-11610-10	PISTON RING SET (0.25MM O/S)	1			AP
	JR7-11610-20	PISTON RING SET (0.50MM O/S)	1			AP
4	583-11633-00	PIN, PISTON	1			
5	93450-21053	CIRCLIP	2			
6	JN6-11650-10	CONNECTING ROD ASSY	1			
7	JN6-11654-10	BOLT, CONNECTING ROD	2			
8	JN6-11454-10	WEIGHT 1	1			

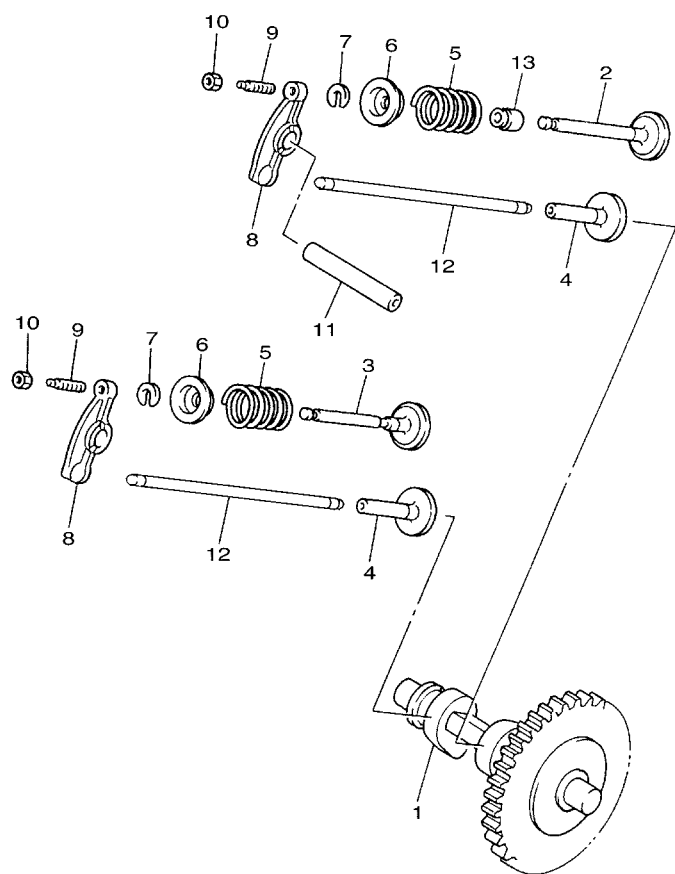
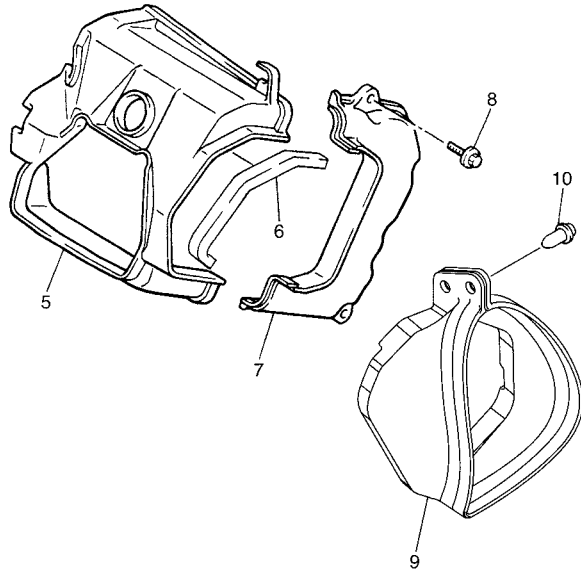
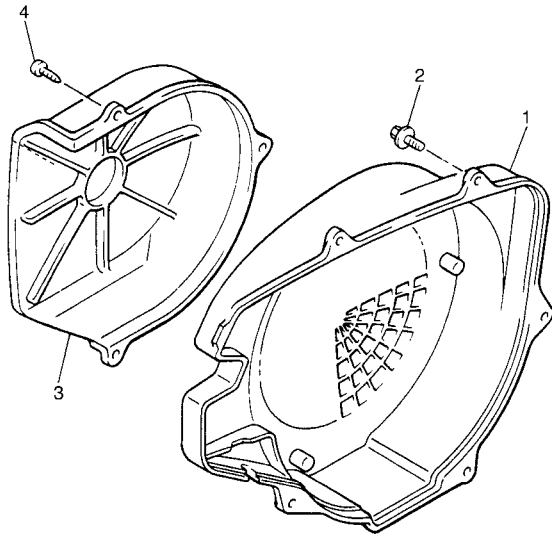


FIG. 4 CAMSHAFT & VALVE

REF. NO.	PART NO.	DESCRIPTION	JW84				REMARKS
1	JR7-12170-00	CAMSHAFT ASSY 1	1				
2	JN6-12111-10	VALVE, INTAKE	1				
3	7RH-12121-10	VALVE, EXHAUST	1				
4	JN6-12153-10	LIFTER, VALVE	2				
5	90501-264A9	SPRING, COMPRESSION	2				
6	J38-12117-01	RETAINER, VALVE SPRING	2				
7	J38-12118-00	COTTER, VALVE	2				
8	JN6-12151-10	ARM, VALVE ROCKER	2				
9	22F-12159-10	SCREW, VALVE ADJUSTING	2				
10	90170-05302	NUT	2				
11	J38-12156-20	SHAFT, ROCKER 2	1				
12	JR7-12154-10	ROD, VALVE PUSH	2				
13	4G0-12119-00	SEAL, VALVE STEM	1				

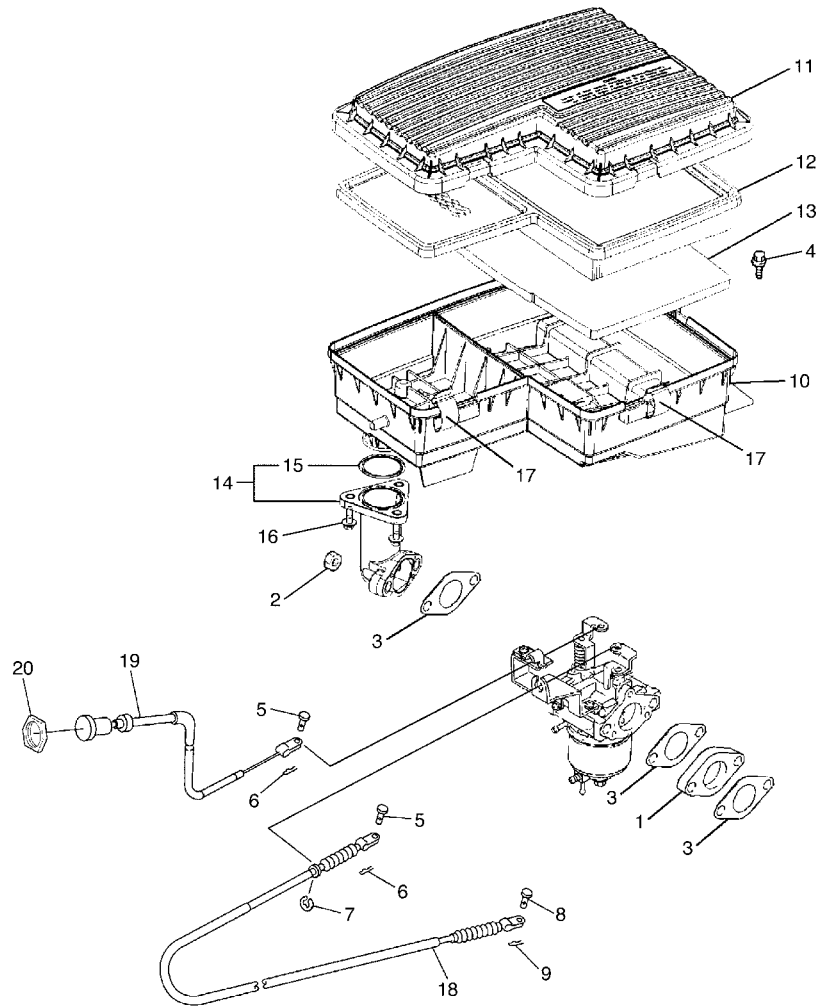

 JD13110-K030




 JY01010-F050

FIG. 5 AIR SHROUD & FAN

REF. NO.	PART NO.	DESCRIPTION	JW84				REMARKS
1	JN6-12621-02	CASE, FAN	1				
2	95817-06020	BOLT, FLANGE	4				
3	JN6-12616-00	COVER, FAN CASE	1				
4	97702-60420	SCREW, TAPPING	3				
5	JN6-12651-00	AIR SHROUD, CYLINDER 1	1				
6	JR7-12658-00	DAMPER, AIR SHROUD 1	1				
7	JN6-12652-00	AIR SHROUD, CYLINDER 2	1				
8	95817-06020	BOLT, FLANGE	2				
9	JW1-E2691-00	DUCT 1	1				
10	90269-08813	RIVET	2				



JW71100-H060

FIG. 6 INTAKE

REF. NO.	PART NO.	DESCRIPTION	JW84				REMARKS
1	JN6-13595-00	JOINT	1				
2	95707-08500	NUT, FLANGE	2				
3	JN6-13567-00	GASKET	3				
4	90119-06884	BOLT, WITH WASHER	2				
5	91702-05010	PIN, CLEVIS	2				
6	90468-10049	CLIP	2				
7	99001-07600	CIRCLIP	1				
8	91702-05010	PIN, CLEVIS	1				
9	90468-10049	CLIP	1				
10	JU0-E4411-00	CASE, AIR CLEANER 1	1				
11	JU0-E4412-00	CAP, CLEANER CASE 1	1				
12	JU0-E4450-00	ELEMENT ASSY, AIR CLEANER	1				
13	JU0-E445E-00	FILTER 1	1				
14	JU0-E3505-09	JOINT COMP.	1				
15	93210-398D6	.O-RING	1				
16	90105-06862	BOLT, FLANGE	3				
17	5UH-E4424-00	CLIP, CAP FITTING	5				
18	JW1-F6312-01	CABLE, THROTTLE 2	1				
19	JW1-F6331-00	CABLE, STARTER 1	1				
20	JU0-F6333-00	NUT	1				

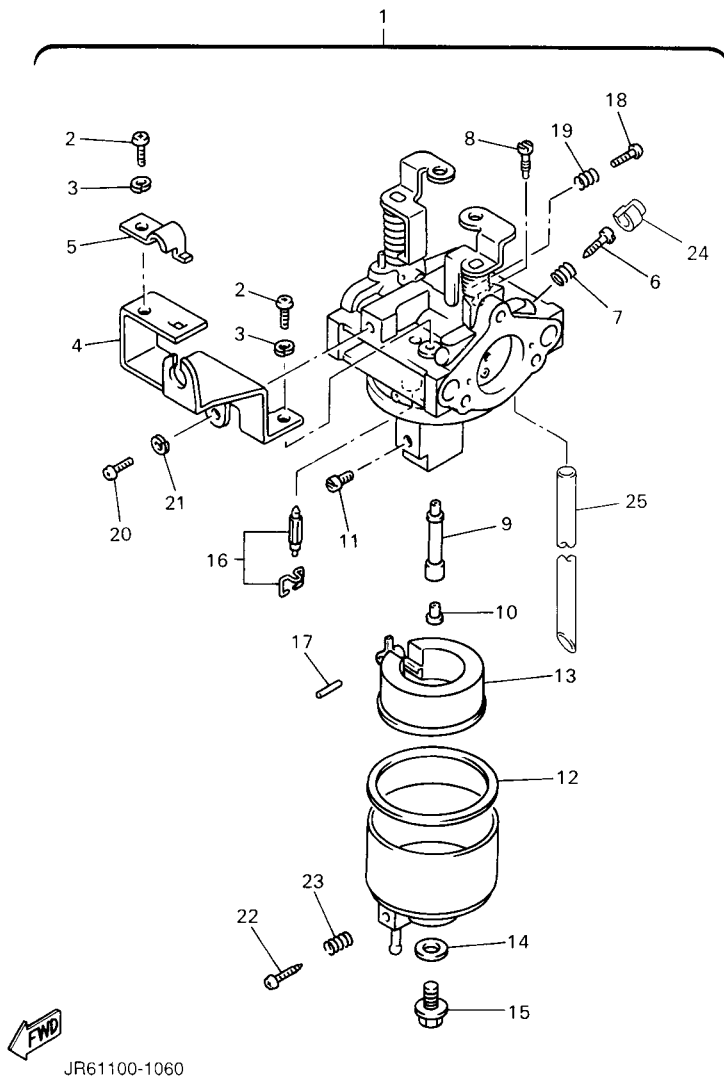
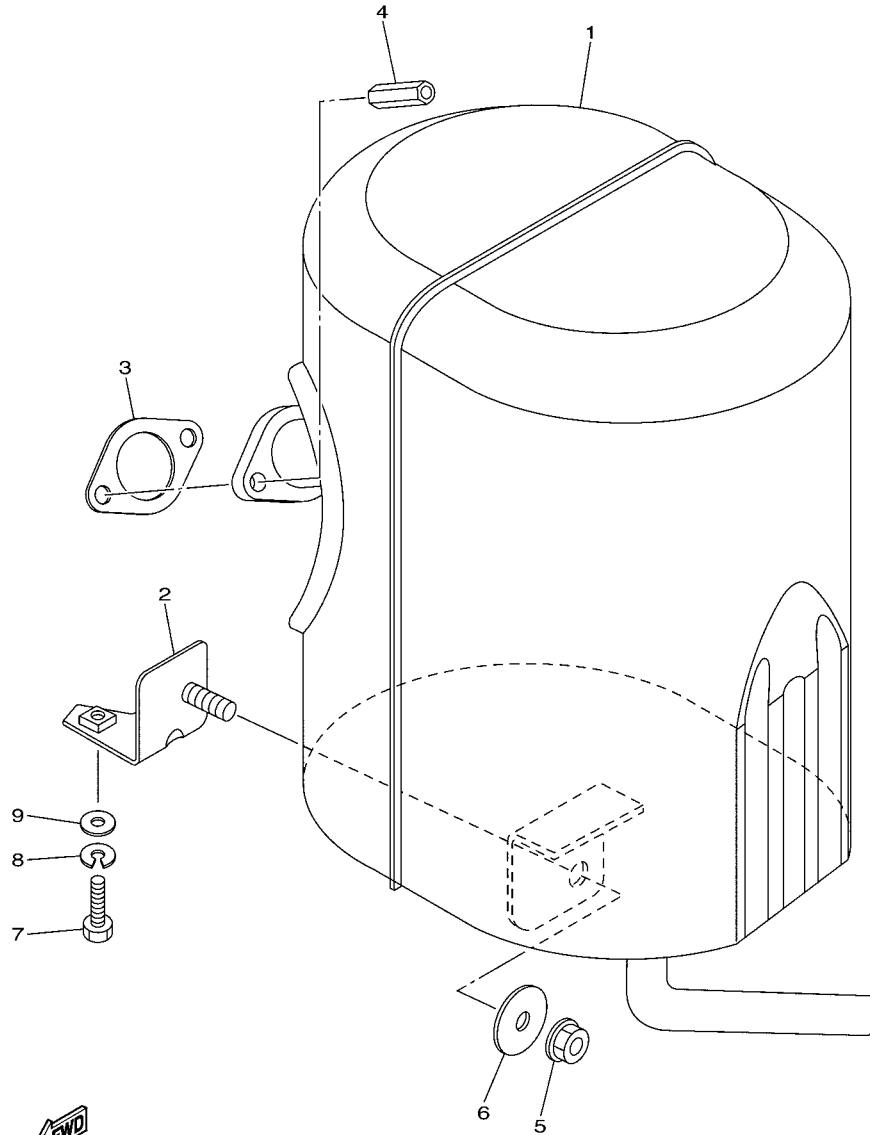


FIG. 7 CARBURETOR

REF. NO.	PART NO.	DESCRIPTION	JW84				REMARKS
1	JR6-14101-00	CARBURETOR ASSY 1	1				
2	98507-05008	.SCREW, PAN HEAD	2				
3	92990-05100	.WASHER, SPRING	2				
4	JN6-14291-00	.BRACKET 1	1				
5	J10-14227-00	.PLATE	1				
6	7NJ-14211-00	.SCREW, PILOT ADJUSTING	1				
7	73A-14212-10	.SPRING	1				
8	732-14142-65-A0	.JET, PILOT (# 65)	1				
9	JN6-1495H-3B	.NOZZLE, MAIN	1				
10	73A-1414G-00	.PIPE, MAIN BLEED	1				
11	3G2-1423A-68-A0	.JET, MAIN (# 87.5)	1				STD
	3G2-1423A-67	.JET, MAIN (# 82.5)	1				AP
	3G2-1423E-33-A0	.JET, MAIN (#83.8)	1				AP
12	796-14184-00	.GASKET, FLOAT CHAMBER	1				
13	JN6-14185-00	.FLOAT	1				
14	127-14198-00	.GASKET	1				
15	7R1-14162-00	.BOLT, HOLDING	1				
16	JN5-14150-00	.NEEDLE ASSY (WITH CLIP)	1				
17	22F-14186-00	.PIN, FLOAT	1				
18	1WG-14922-00	.SCREW, THROTTLE	1				
19	73A-14212-10	.SPRING	1				
20	98507-04010	.SCREW, PAN HEAD	1				
21	92902-04100	.WASHER, SPRING	1				
22	7E1-14191-00	.PLUG, DRAIN	1				
23	73A-14212-00	.SPRING	1				
24	7LV-14118-00	.CAP	1				
25	1KT-14197-01	.PIPE	1				

FIG. 8 EXHAUST



JW15110-J080

REF. NO.	PART NO.	DESCRIPTION	JW84				REMARKS
1	JW1-E4710-20	MUFFLER ASSY 1	1				
2	JU0-F1436-00	BRKT., MUFF. 2	1				
3	7KY-14613-01	GASKET, EXHAUST 1	1				
4	JW1-E4713-00	NUT, MUFFLER JOINT	2				
5	95602-08200	NUT, SELF-LOCKING	1				
6	90201-080E4	WASHER, PLATE	1				
7	97002-08025	BOLT	1				
8	92902-08100	WASHER, SPRING	1				
9	92902-08600	WASHER, PLATE	1				

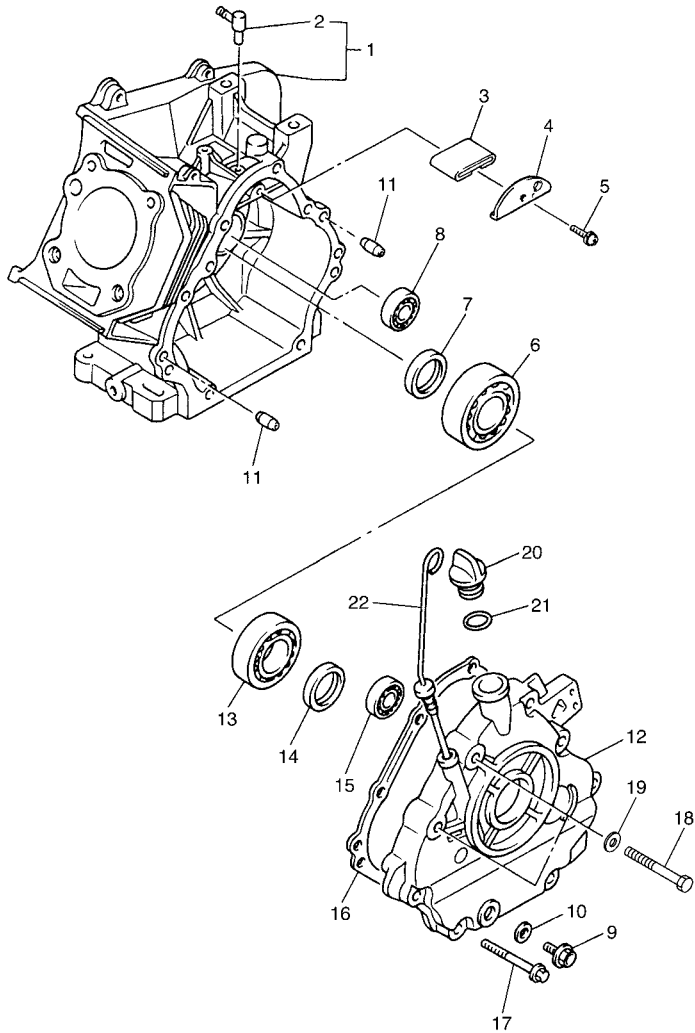
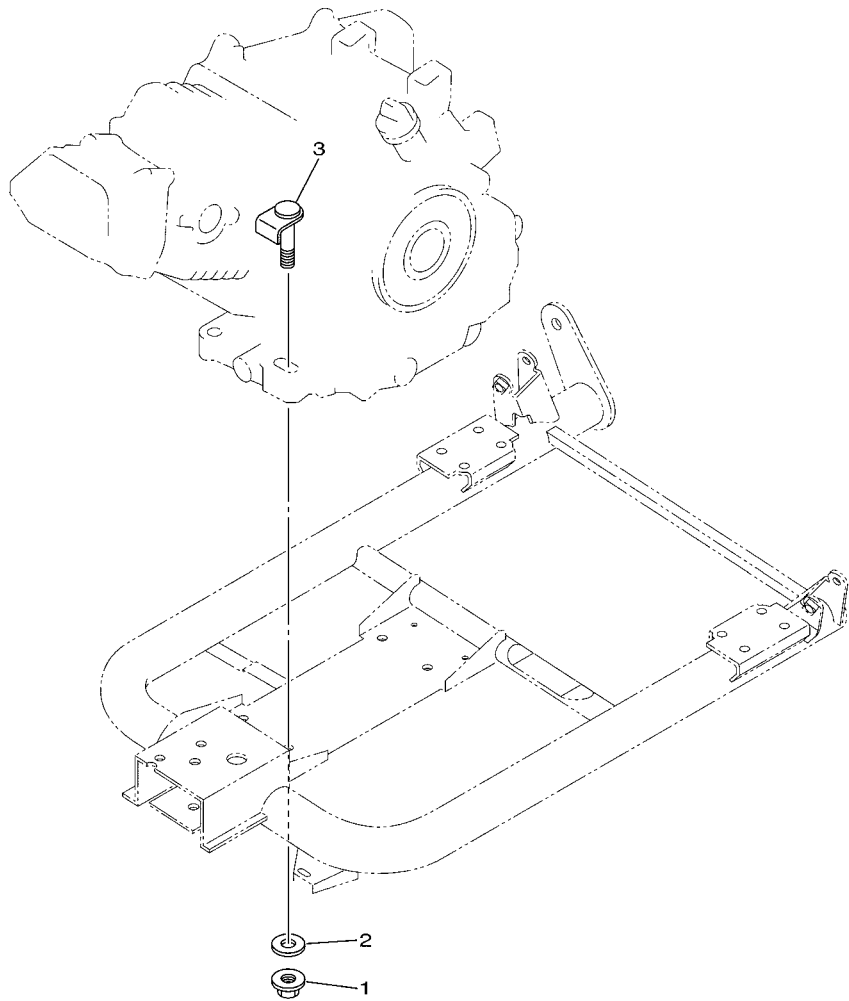


FIG. 9 CRANKCASE

REF. NO.	PART NO.	DESCRIPTION	JW84				REMARKS
1	JR7-15100-02	CRANKCASE ASSY	1				
2	JN6-15155-10	.NOZZLE 3	1				
3	JW1-E5407-00	ELEMENT 1	1				
4	JR7-15123-00	PLATE, BAFFLE 1	1				
5	90159-06107	SCREW, WITH WASHER	1				
6	93306-30709	BEARING	1				
7	93102-35014	OIL SEAL	1				
8	93306-20201	BEARING	1				
9	90340-12097	PLUG, STRAIGHT SCREW	1				
10	812-11198-00	GASKET	1				
11	99530-08016	PIN, DOWEL	2				
12	JN6-15411-01	COVER, CRANKCASE 1	1				
13	93306-20714	BEARING	1				
14	93102-35014	OIL SEAL	1				
15	93306-20201	BEARING	1				
16	JY2-15451-00	GASKET, CRANKCASE COVER 1	1				
17	95812-08045	BOLT, FLANGE	6				
18	97012-10050	BOLT	2				
19	90201-10057	WASHER, PLATE	2				
20	796-15363-01	PLUG, OIL	1				
21	93210-22344	O-RING	1				
22	J38-15361-00	GAUGE, LEVEL	1				



JW61100-H090



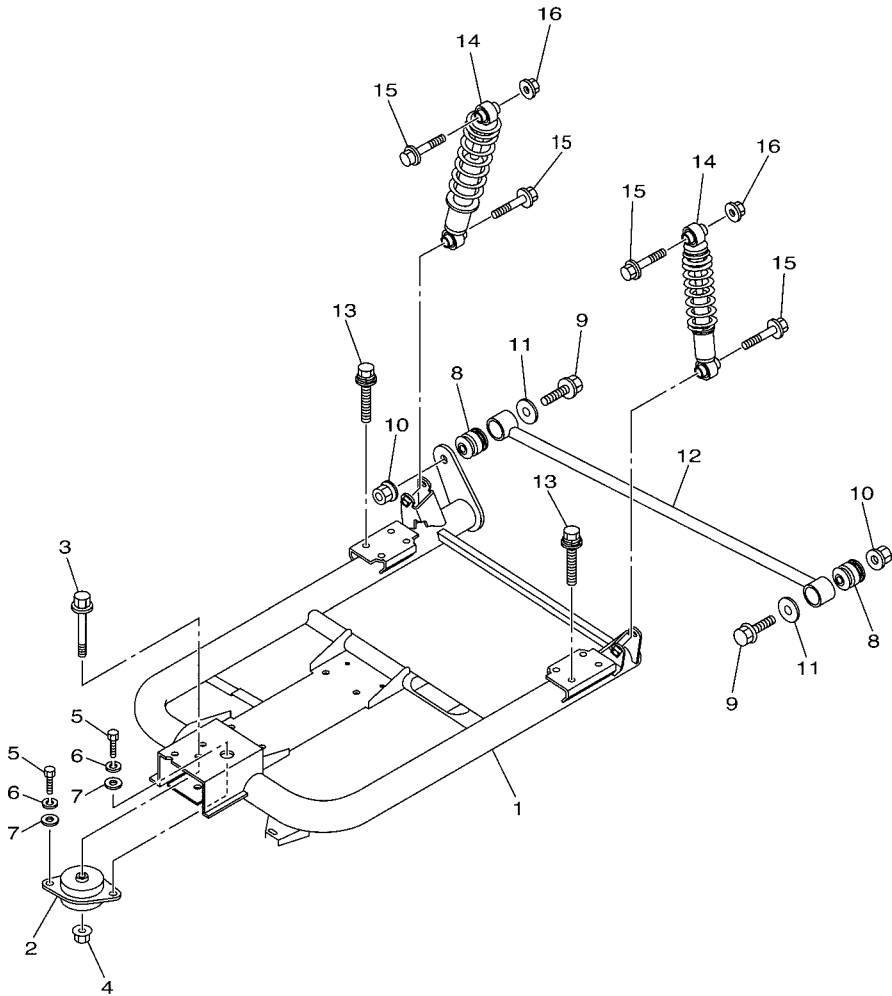
JD03100-K100

FIG. 10 ENGINE BRACKET

REF. NO.	PART NO.	DESCRIPTION	JW84				REMARKS
1	95602-10200	NUT, U FLANGE	4				
2	92902-10200	WASHER	4				
3	JT0-21481-00	BOLT, ENGINE MOUNTING 1	4				

FIG. 11 REAR ARM & SUSPENSION

REF. NO.	PART NO.	DESCRIPTION	JW84				REMARKS
1	JW1-F2110-12	REAR ARM COMP.	1				
2	JN6-F2123-10	BUSH 1	1				
3	90105-13800	BOLT, FLANGE	1				
4	90179-13800	NUT	1				
5	97012-10020	BOLT	2				
6	92902-10100	WASHER, SPRING	2				
7	92902-10600	WASHER, PLATE	2				
8	JN6-F2124-10	BUSH 2	2				
9	95812-12065	BOLT, FLANGE	2				
10	95602-12200	NUT, SELF-LOCKING	2				
11	90201-128S4	WASHER, PLATE	2				
12	JW1-F217G-10	ROD, CONNECTING 2	1				
13	JW1-F2277-00	BOLT	8				
14	JW1-F2210-10	SHOCK ABSORBER ASSY, REAR	2				
15	95817-10055	BOLT, FLANGE	4				
16	95602-10200	NUT, U FLANGE	2				



JD03100-K110

FIG. 12 FRAME

REF. NO.	PART NO.	DESCRIPTION	JW84		REMARKS
1	JW8-F2501-00	FRAME COMP.	1		
2	JW8-F4425-00	BRACKET, FUEL PUMP 1	1		
3	JW8-F4619-00	RIVET	2		
4	JW8-F253B-00	STAY, RELAY	1		
5	JW8-F1153-00	BRACKET, REAR FOOTREST	2		
6	JW1-F1738-00	BOLT	2		
7	JW1-F7411-11	FOOTREST 1	1		
8	JW1-F1738-00	BOLT	14		
9	JW1-F258G-02	BRACKET, DASH UPPER 1	1		
10	90105-06831	BOLT, FLANGE	6		

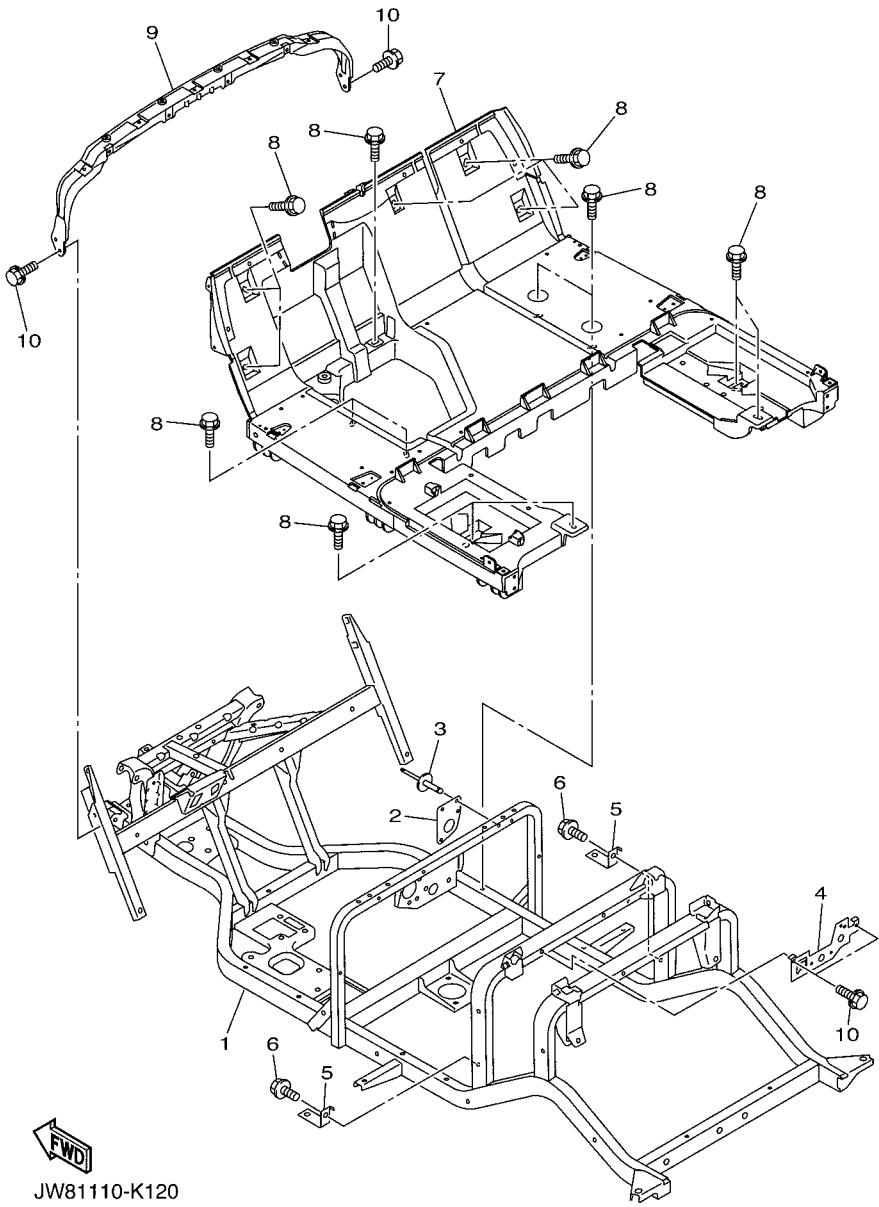
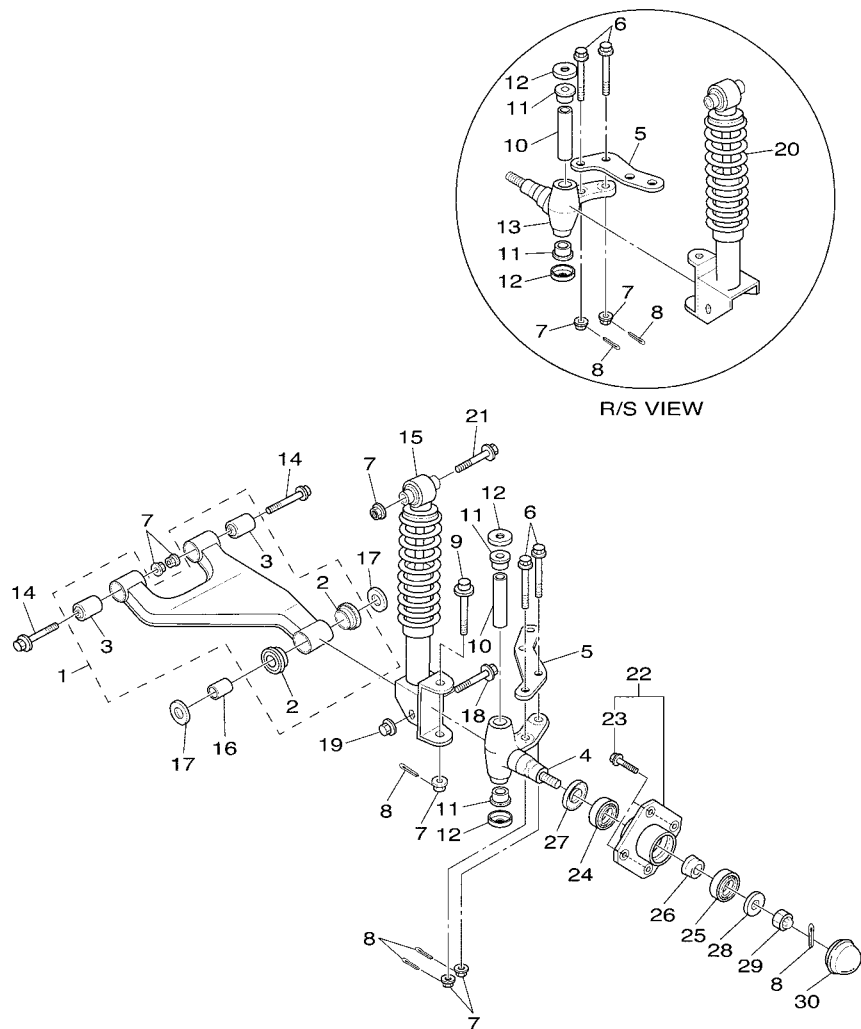
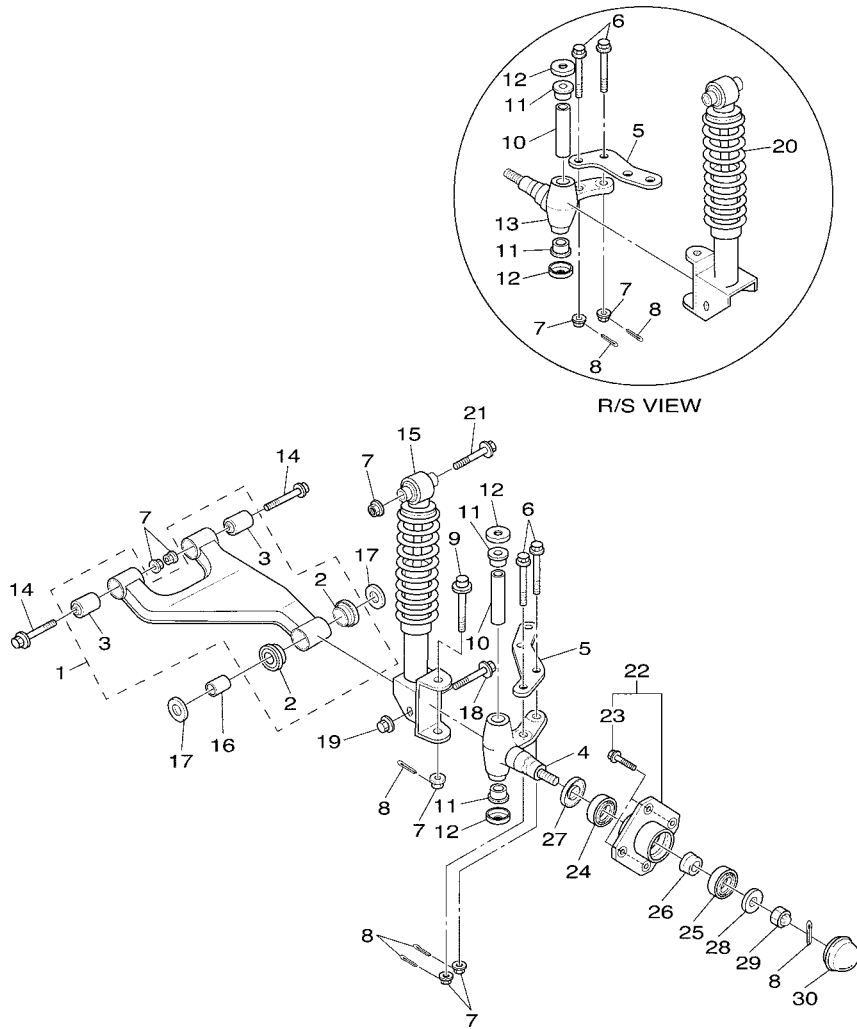


FIG. 13 FRONT SUSPENSION



JW15110-J130

REF. NO.	PART NO.	DESCRIPTION	JW84				REMARKS
1	JU0-F3570-20	FRONT LOWER ARM COMP.	2				
2	90381-18001	.BUSH, SOLID	2				
3	2HR-23526-00	.BUSH	2				
4	JU0-F3511-10	KNUCKLE, STEERING 1	1				
5	JW1-F3512-00	ARM, KNUCKLE 1	2				
6	90105-10728	BOLT, FLANGE	4				
7	95602-10200	NUT, U FLANGE	12				
8	91402-25020	PIN, COTTER	8				
9	90105-10064	BOLT, FLANGE	2				
10	2NL-23448-00	SPACER	2				
11	90381-17067	BUSH, SOLID	4				
12	2NL-23517-00	COVER, THRUST 1	4				
13	JU0-F3521-10	KNUCKLE, STEERING 2	1				
14	90105-10267	BOLT, FLANGE	4				
15	JW1-F3350-10	SHOCK ABSORBER ASSY	1				
16	90387-12016	COLLAR	2				
17	401-22128-01	COVER, THRUST 1	4				
18	95812-12080	BOLT, FLANGE	2				
19	95612-12100	NUT, U	2				
20	JW1-F3390-10	SHOCK ABSORBER ASSY 2	1				
21	90105-10267	BOLT, FLANGE	2				
22	JG5-WF511-10	HUB, FRONT	2				
23	90114-12806	.BOLT, SERRATION	4				
24	93306-204X0	BEARING	2				
25	93306-005Y3	BEARING	2				
26	90387-241M7	COLLAR	2				
27	93102-30083	OIL SEAL	2				

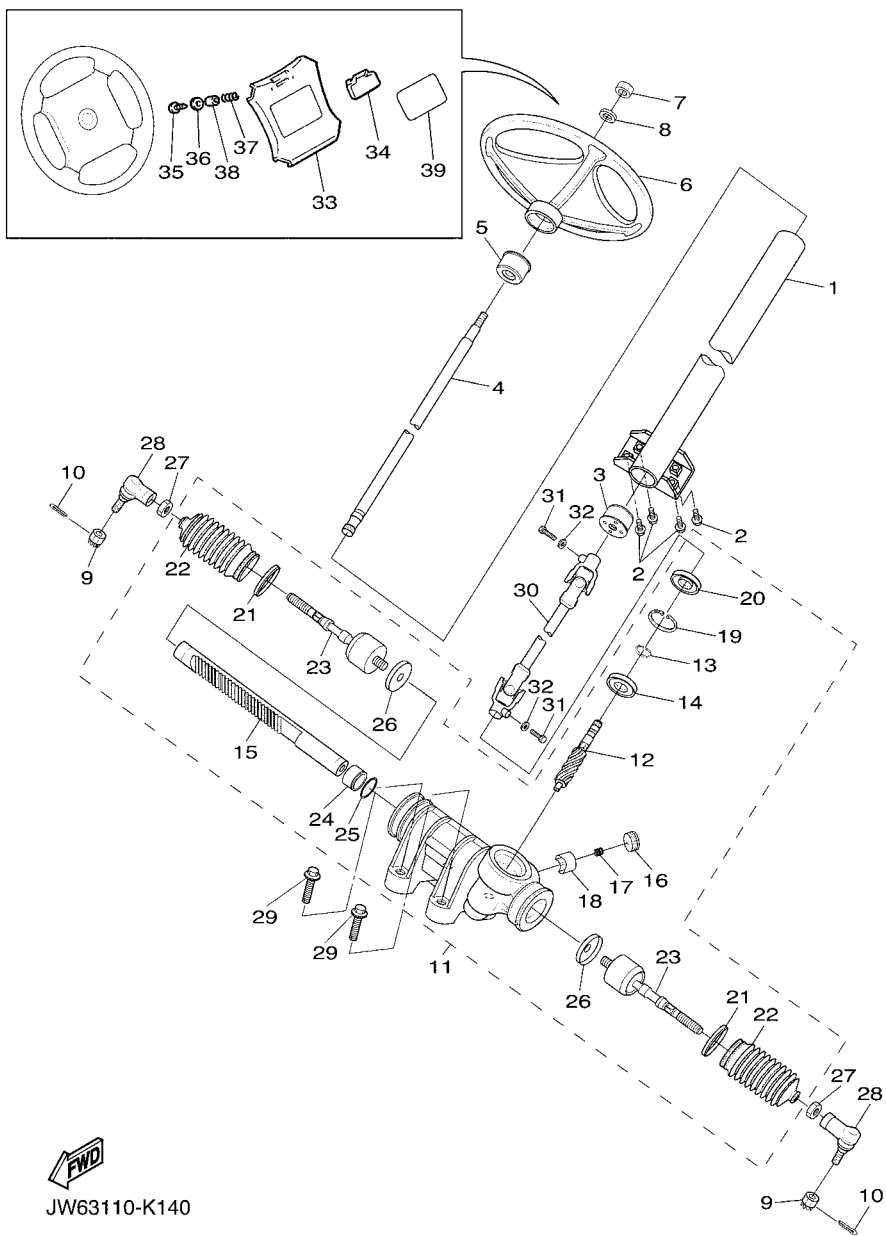


JW15110-J130

FIG. 13 FRONT SUSPENSION

REF. NO.	PART NO.	DESCRIPTION	JW84				REMARKS
28	90208-14801	WASHER, CONICAL SPRING	2				
29	95602-14100	NUT, U	2				
30	JN6-F5118-01	COVER, HUB DUST	2				

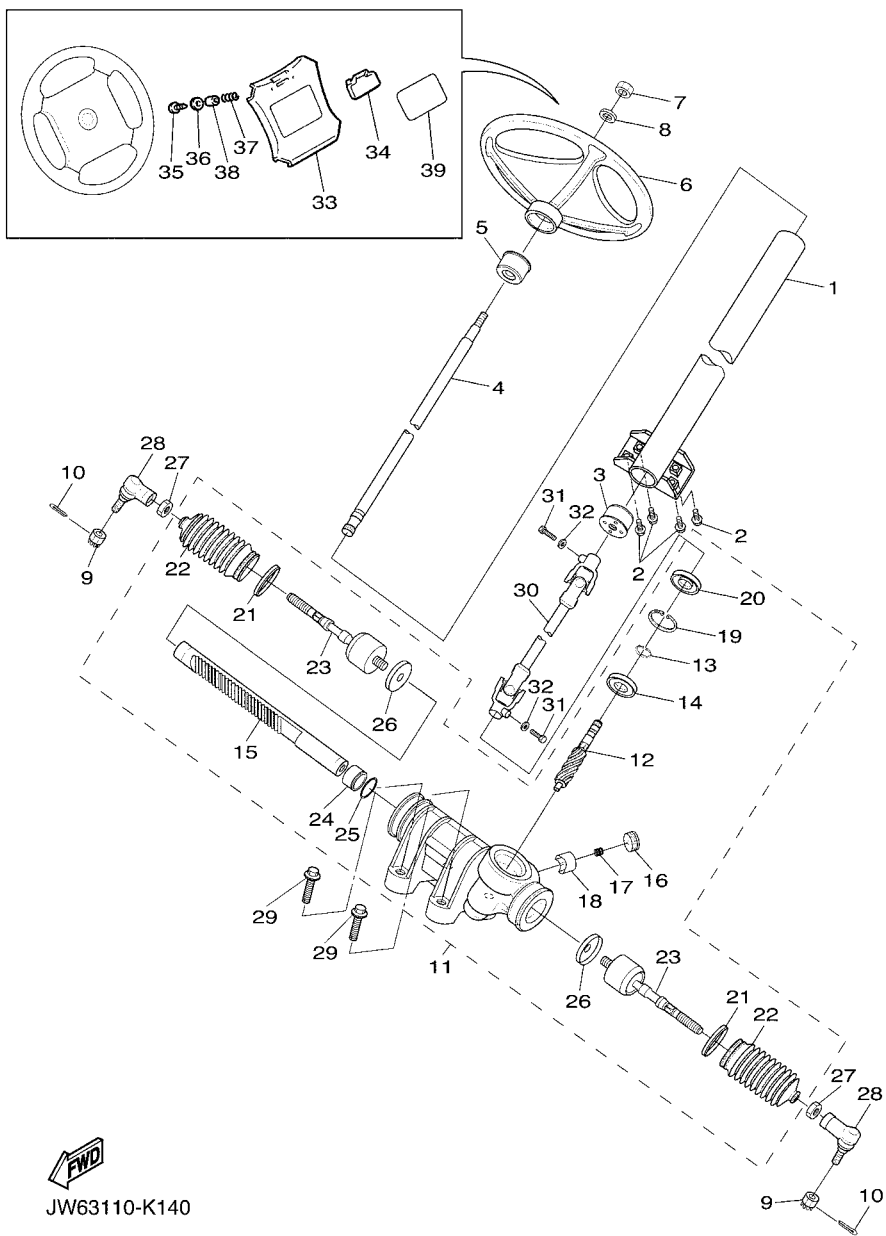
FIG. 14 STEERING



FWD
JW63110-K140

REF. NO.	PART NO.	DESCRIPTION	JW84				REMARKS
1	JW1-F3811-02	COLUMN, STEERING	1				
2	95812-08020	BOLT, FLANGE	4				
3	JU0-F3857-11	HOLDER	1				
4	JU0-F3828-10	ROD, STEERING	1				
5	JU0-F3857-11	HOLDER	1				
6	JN3-F3838-00	WHEEL, STEERING	1				
7	90185-12061	NUT, SELF-LOCKING	1				
8	92902-12200	WASHER	1				
9	95602-12200	NUT, SELF-LOCKING	2				
10	91402-25020	PIN, COTTER	2				
11	JW1-F3400-00	STEERING ASSY	1				
12	JW1-F387A-00	.GEAR, PINION	1				
13	JW1-F3183-00	.CIRCLIP	1				
14	JW1-F3812-00	.BEARING, STEERING	1				
15	JW1-F387E-00	.GEAR, RACK	1				
16	5UG-F387G-00	.COVER, ADJUST	1				
17	5UG-F387K-00	.SPRING, PRESSURE	1				
18	5UG-F387F-00	.PAD, PRESSURE	1				
19	5UG-F387J-00	.RING, STOPPER	1				
20	5UG-F3844-00	.SEAL	1				
21	5UG-F3489-00	.BAND	2				
22	5UG-F3527-00	.SEAL, DUST 1	2				
23	JW1-F3837-00	.ROD, TIE 2	2				
24	JW1-F467K-00	.BUSH, CAP	1				
25	JW1-F3866-00	.CIRCLIP	1				
26	JW1-F3894-00	.WASHER, LOCK 1	2				
27	1P0-F3833-00	NUT 1	2				

FIG. 14 STEERING



JW63110-K140

REF. NO.	PART NO.	DESCRIPTION	JW84				REMARKS
28	JU0-23841-10	JOINT, UNIVERSAL 1	2				
29	90105-10847	BOLT, FLANGE	4				
30	JW1-F3822-01	JOINT 1	1				
31	97012-08030	BOLT	2				
32	92902-08600	WASHER, PLATE	2				
33	JW8-K8357-00	HOLDER 1	1				
34	JN6-K8358-01	HOLDER 2	1				
35	97702-40525	SCREW, TAPPING	2				
36	90201-04810	WASHER, PLATE	2				
37	90502-10013	SPRING, CONICAL	2				
38	90387-046N7	COLLAR	2				
39	JU0-K7762-00	LABEL, WARNING 2 (E)	1				UR FOR CAN,JPN
	JU0-K7762-10	LABEL, WARNING 2 (E,F)	1				UR EXCEPT CAN,JPN
	JU0-K7762-20	LABEL, WARNING 2 (G,S)	1				UR EXCEPT CAN,JPN

FIG. 15 FUEL TANK 1

REF. NO.	PART NO.	DESCRIPTION	JW84		REMARKS
1	JW8-F4111-01	TANK, FUEL	1		FOR CAN
2	JW1-F4300-00	.FUEL PIPE JOINT	1		FOR CAN
3	JU5-F4375-00	.GROMMET	1		FOR CAN
4	JW1-F4610-00	.CAP ASSY	1		FOR CAN
5	JW1-F4112-00	.PIPE	1		FOR CAN
6	JU5-F4375-00	.GROMMET	1		FOR CAN
7	JW1-F1738-00	BOLT	2		FOR CAN
8	90560-08251	SPACER	2		FOR CAN
9	JN6-F4410-11	FUEL PUMP ASSY	1		FOR CAN
10	JW1-F3394-00	BOLT, SPECIAL	2		FOR CAN
11	JW1-F4312-00	PIPE 2	1		FOR CAN
12	JN6-F4560-00	FILTER ASSY	1		FOR CAN
13	JW1-F4311-00	PIPE, FUEL 1	1		FOR CAN
14	JW1-F4313-01	PIPE 3	1		FOR CAN
15	JW1-F4314-00	PIPE 4	1		FOR CAN
16	90467-12845	CLIP	2		FOR CAN
17	90467-10846	CLIP	6		FOR CAN
18	JW7-F312H-00	CLAMP	1		FOR CAN
19	90464-12836	CLAMP	1		FOR CAN
20	7CC-F4170-00	CANISTER ASSY	1		FOR CAN
21	5PX-24180-00	ROLL OVER VALVE ASSY	1		FOR CAN
22	90461-15139	CLAMP	1		FOR CAN
23	98502-05010	SCREW, PAN HEAD	1		FOR CAN
24	JW7-F4314-10	PIPE 4	1		FOR CAN
25	JW1-F4316-00	PIPE 6	1		FOR CAN
26	JW1-F4317-00	PIPE 7	1		FOR CAN
27	JW1-F419A-00	HOLDER	1		FOR CAN

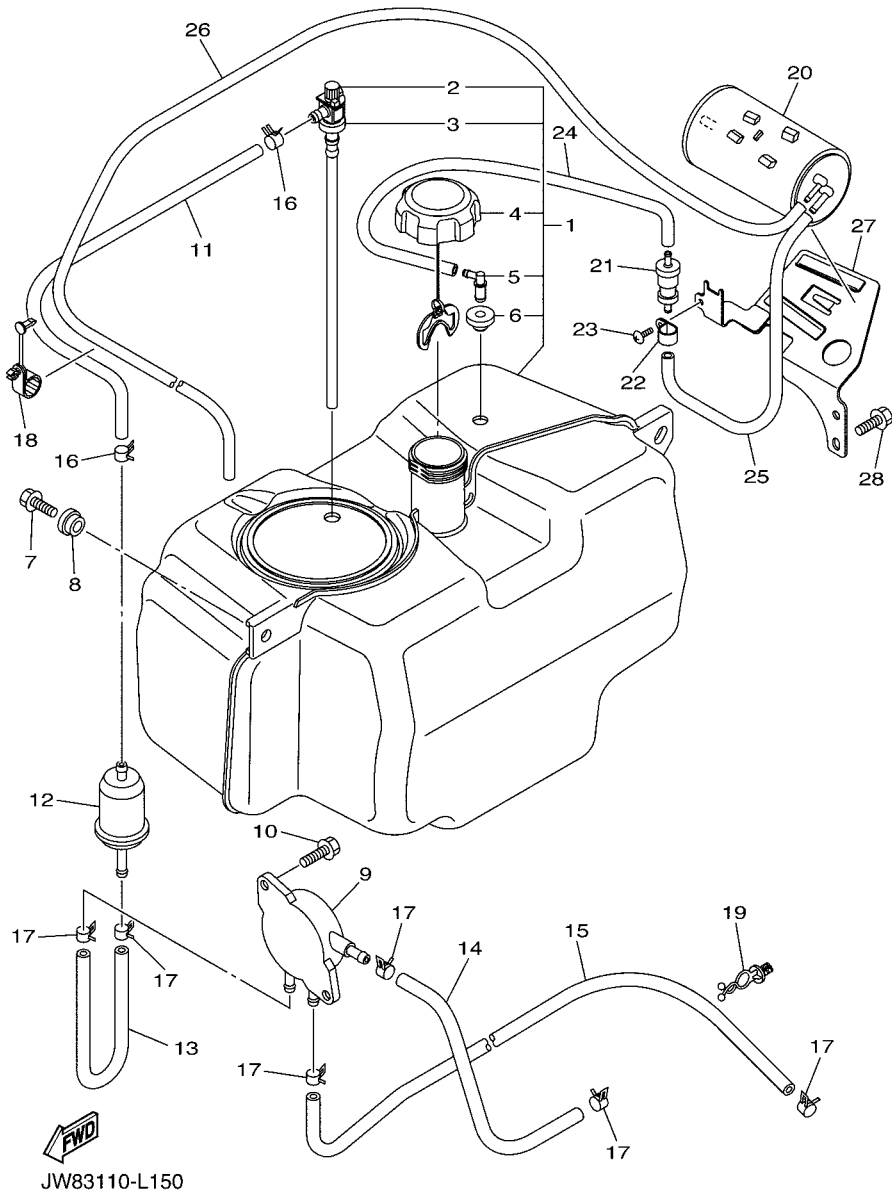
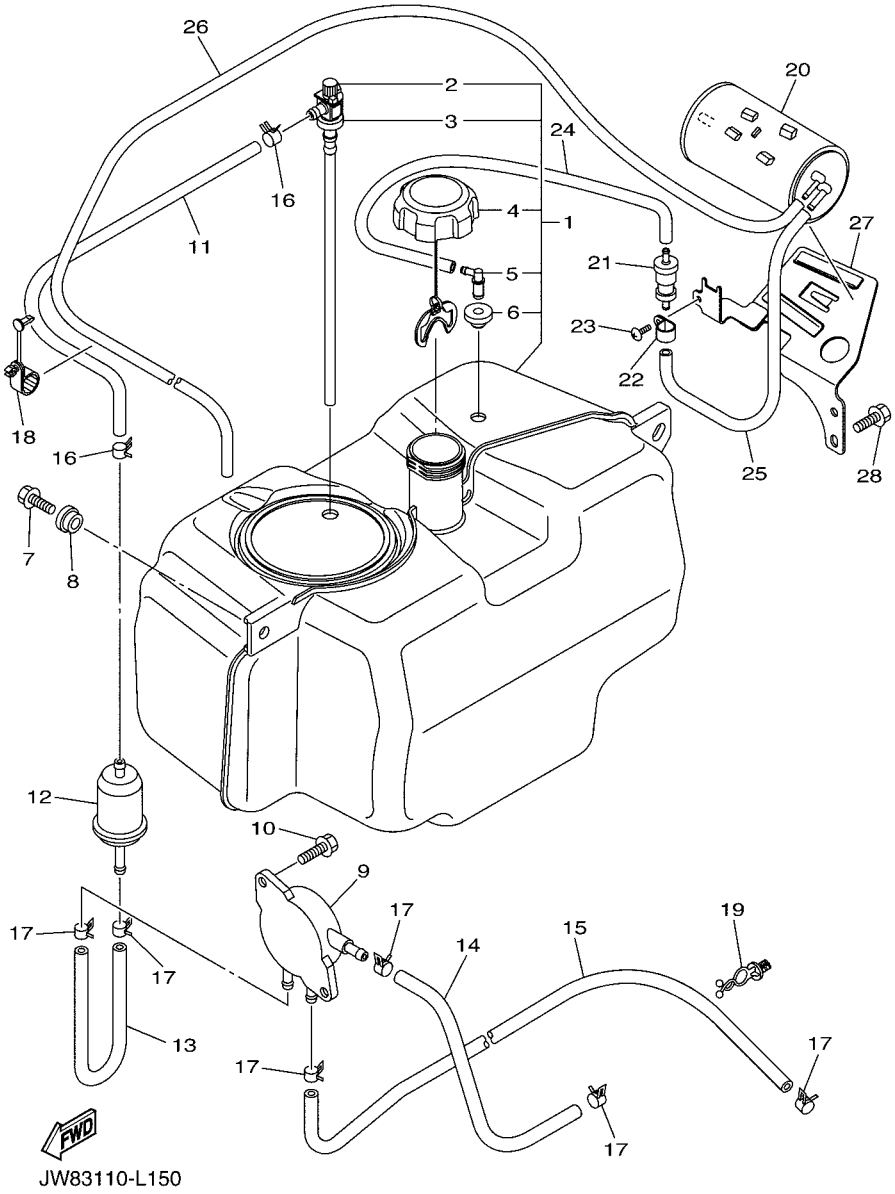
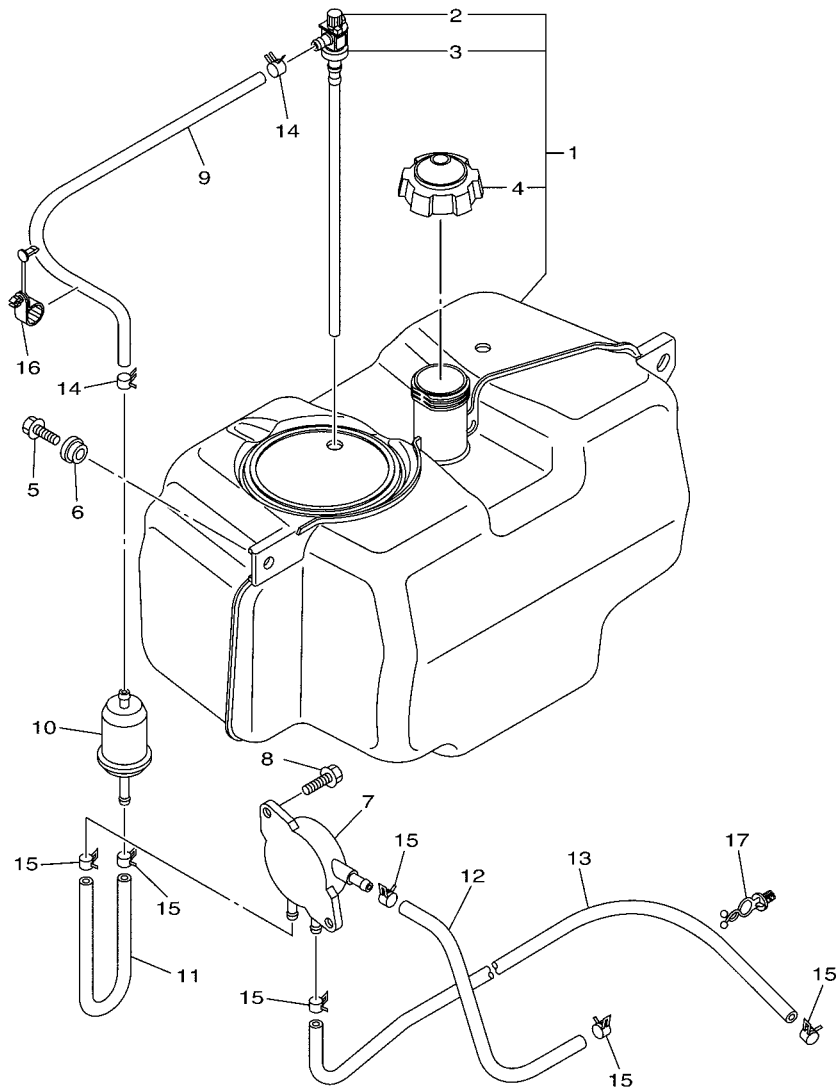


FIG. 15 FUEL TANK 1

REF. NO.	PART NO.	DESCRIPTION	JW84			REMARKS
28	JW1-F1738-00	BOLT	2			FOR CAN



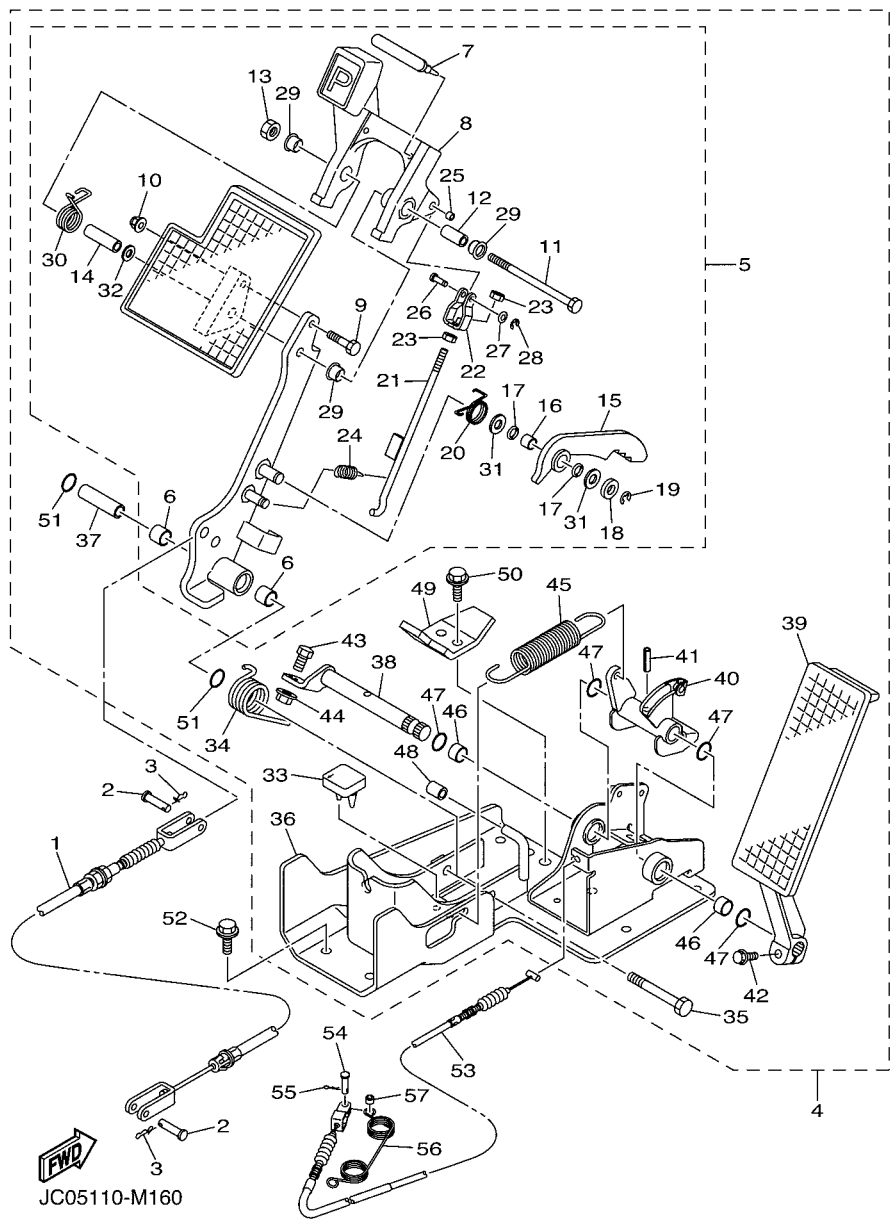


JW83100-L160

FIG. 16 FUEL TANK 2

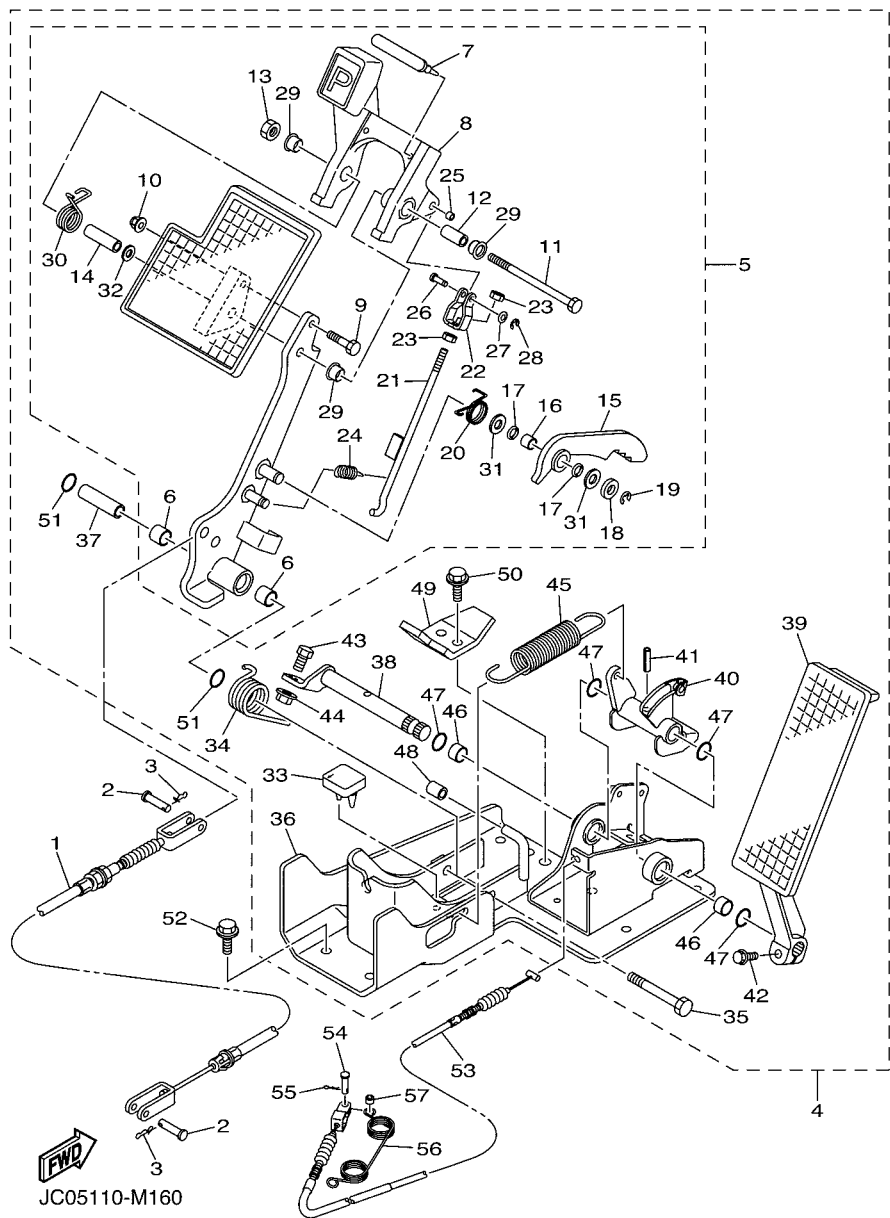
REF. NO.	PART NO.	DESCRIPTION	JW84			REMARKS
1	JW8-F4111-12	TANK, FUEL	1			EXCEPT FOR CAN
2	JW1-F4300-00	.FUEL PIPE JOINT	1			EXCEPT FOR CAN
3	JU5-F4375-00	.GROMMET	1			EXCEPT FOR CAN
4	JN6-F4610-00	.CAP ASSY	1			EXCEPT FOR CAN
5	JW1-F1738-00	BOLT	2			EXCEPT FOR CAN
6	90560-08251	SPACER	2			EXCEPT FOR CAN
7	JN6-F4410-11	FUEL PUMP ASSY	1			EXCEPT FOR CAN
8	JW1-F3394-00	BOLT, SPECIAL	2			EXCEPT FOR CAN
9	JW1-F4312-00	PIPE 2	1			EXCEPT FOR CAN
10	JN6-F4560-00	FILTER ASSY	1			EXCEPT FOR CAN
11	JW1-F4311-00	PIPE, FUEL 1	1			EXCEPT FOR CAN
12	JW1-F4313-01	PIPE 3	1			EXCEPT FOR CAN
13	JW1-F4314-00	PIPE 4	1			EXCEPT FOR CAN
14	90467-12845	CLIP	2			EXCEPT FOR CAN
15	90467-10846	CLIP	6			EXCEPT FOR CAN
16	JW7-F312H-00	CLAMP	1			EXCEPT FOR CAN
17	90464-12836	CLAMP	1			EXCEPT FOR CAN

FIG. 17 PEDAL ASSEMBLY



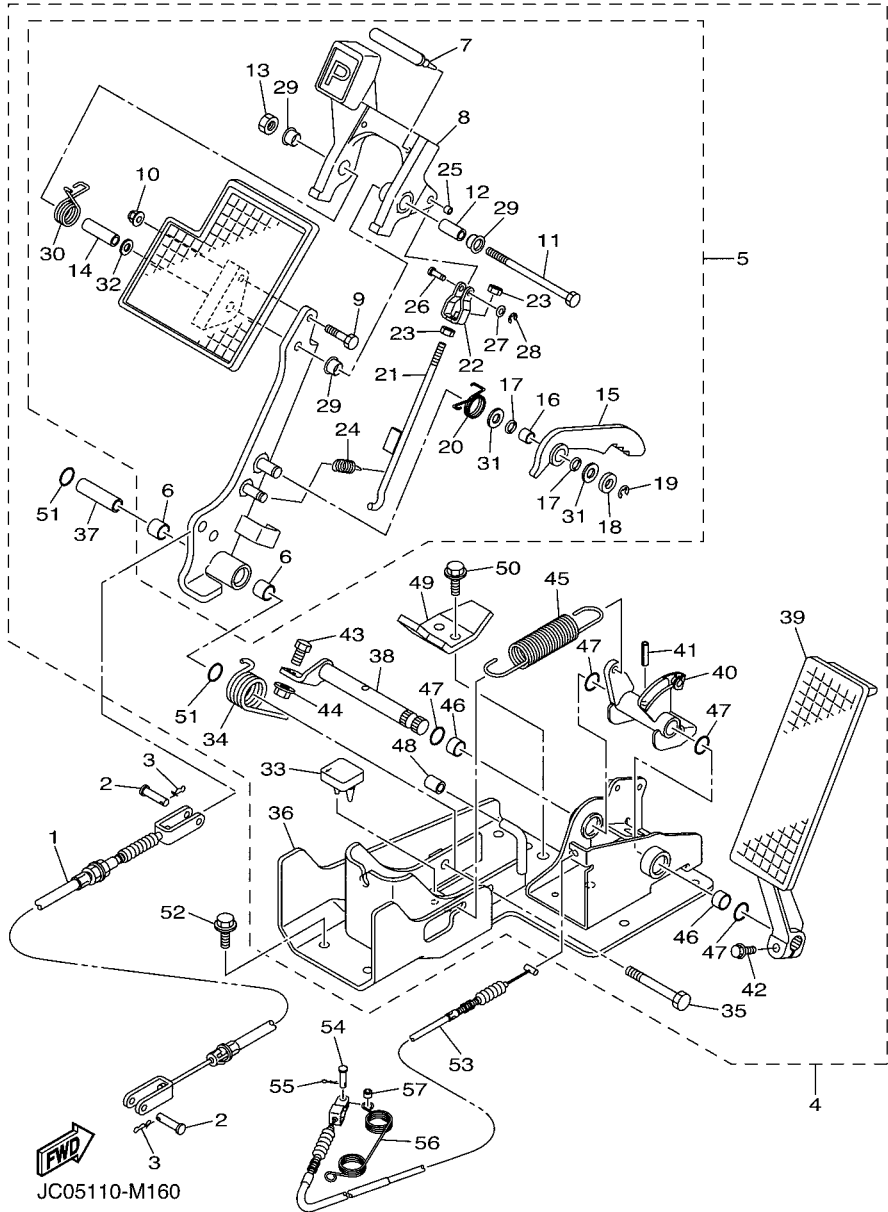
REF. NO.	PART NO.	DESCRIPTION	JW84				REMARKS
1	JW1-F6341-31	WIRE, BRAKE 1	1				
2	91702-10028	PIN, CLEVIS	2				
3	90468-20196	CLIP	2				
4	JW8-F7850-20	PEDAL ASSY (L.H)	1				
5	JW9-F7200-20	.PEDAL, BRAKE	1				
6	JW8-F7814-20	..BUSH, PEDAL	2				
7	JW9-F5672-00	..PAD, PARKING PEDAL	1				
8	JW9-F5671-00	..PEDAL, PARKING BRAKE	1				
9	JW8-F7117-00	..BOLT, MAIN STAND	1				
10	JW8-F8363-00	..NUT	1				
11	JW8-F7416-00	..BOLT, FOOTREST	1				
12	JW8-F639N-00	..COLLAR	1				
13	JW8-F7218-00	..NUT	1				
14	JW8-F7113-00	..COLLAR, MAIN STAND	1				
15	JW9-F5666-00	..SECTOR, PARKING BRAKE	1				
16	JW8-F7121-00	..BUSH	1				
17	JW9-F7221-00	..SEAL, SHAFT	2				
18	JW8-F7322-00	..WASHER	1				
19	JW8-F3183-00	..CIRCLIP	1				
20	JW8-F7426-00	..SPRING, RETURN	1				
21	JW9-F7231-10	..ROD, BRAKE	1				
22	JW9-F7232-00	..END, ROD 2	1				
23	JW8-F7318-00	..NUT	2				
24	90506-09800	..SPRING, TENSION	1				
25	JW8-F639L-00	..BUSH 1	1				
26	JW9-F7228-00	..PIN, JOINT	1				
27	JW8-F8323-00	..WASHER, LEG SHIELD	1				

FIG. 17 PEDAL ASSEMBLY



REF. NO.	PART NO.	DESCRIPTION	JW84				REMARKS
28	JW8-F5415-00	..CIRCLIP	1				
29	90386-12800	..BUSH	3				
30	JW8-F7825-00	..SPRING, RETURN	1				
31	JW8-F7119-00	..WASHER	2				
32	JW8-F8319-00	..WASHER	1				
33	JW9-F7245-10	.PAD, BRAKE PEDAL	1				
34	JW8-F7316-00	.SPRING, SIDE STAND	1				
35	JW8-F7217-00	.BOLT	1				
36	JW8-F7445-20	.PLATE 1	1				
37	JW8-F7213-20	.COLLAR	1				
38	JW8-F7853-10	.SHAFT, PEDAL 1	1				
39	JW9-F7871-10	.PEDAL, ACCELERATOR	1				
40	JW8-F7872-20	.ARM, ACCELERATOR PEDAL	1				
41	JW8-F7438-00	.PIN, CLEVIS	1				
42	JW8-F7434-00	.BOLT	1				
43	JW8-F7317-00	.BOLT	1				
44	JW8-F7118-00	.NUT	1				
45	JW8-F815H-00	.SPRING	1				
46	JW8-F7814-20	.BUSH, PEDAL	2				
47	JW8-F4486-00	.O-RING	4				
48	JW9-F5673-00	.DAMPER, BRAKE	1				
49	JW9-F7246-20	.NAIL, BRAKE	1				
50	JW8-F8331-00	.BOLT, LEG SHIELD	2				
51	JW8-F4486-00	.O-RING	2				
52	95812-08020	BOLT, FLANGE	6				
53	JW8-F6311-01	CABLE, THROTTLE 1	1				
54	91702-05014	PIN, CLEVIS	1				

FIG. 17 PEDAL ASSEMBLY



REF. NO.	PART NO.	DESCRIPTION	JW84				REMARKS
55	90468-10050	CLIP	1				
56	90508-16460	SPRING, TORSION	1				
57	90560-05001	SPACER	1				

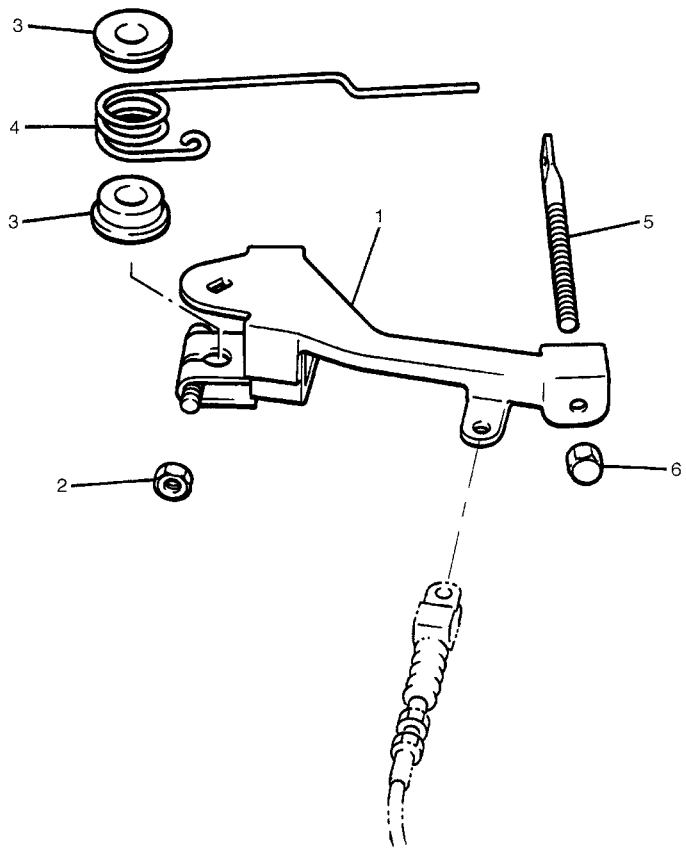


FIG. 18 GOVERNOR

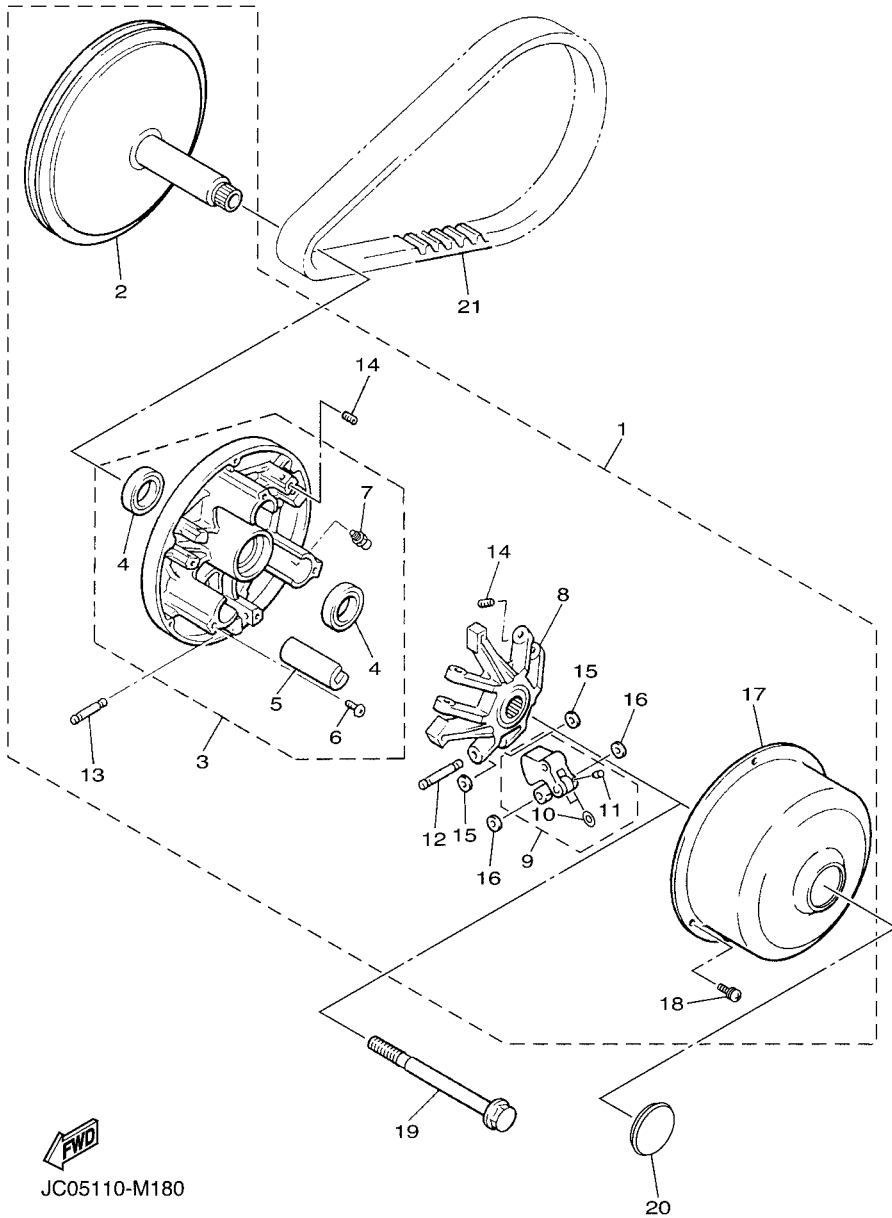
REF. NO.	PART NO.	DESCRIPTION	JW84				REMARKS
1	J38-27951-00	LEVER, SPEED LIMITER	1				
2	95380-06600	NUT, HEXAGON	1				
3	90386-08141	BUSH	2				
4	90508-40678	SPRING, TORSION	1				
5	J38-27959-00	SCREW, ADJUSTING	1				
6	95602-06200	NUT, SELF-LOCKING	1				



JT71010-B190

FIG. 19 PRIMARY SHEAVE

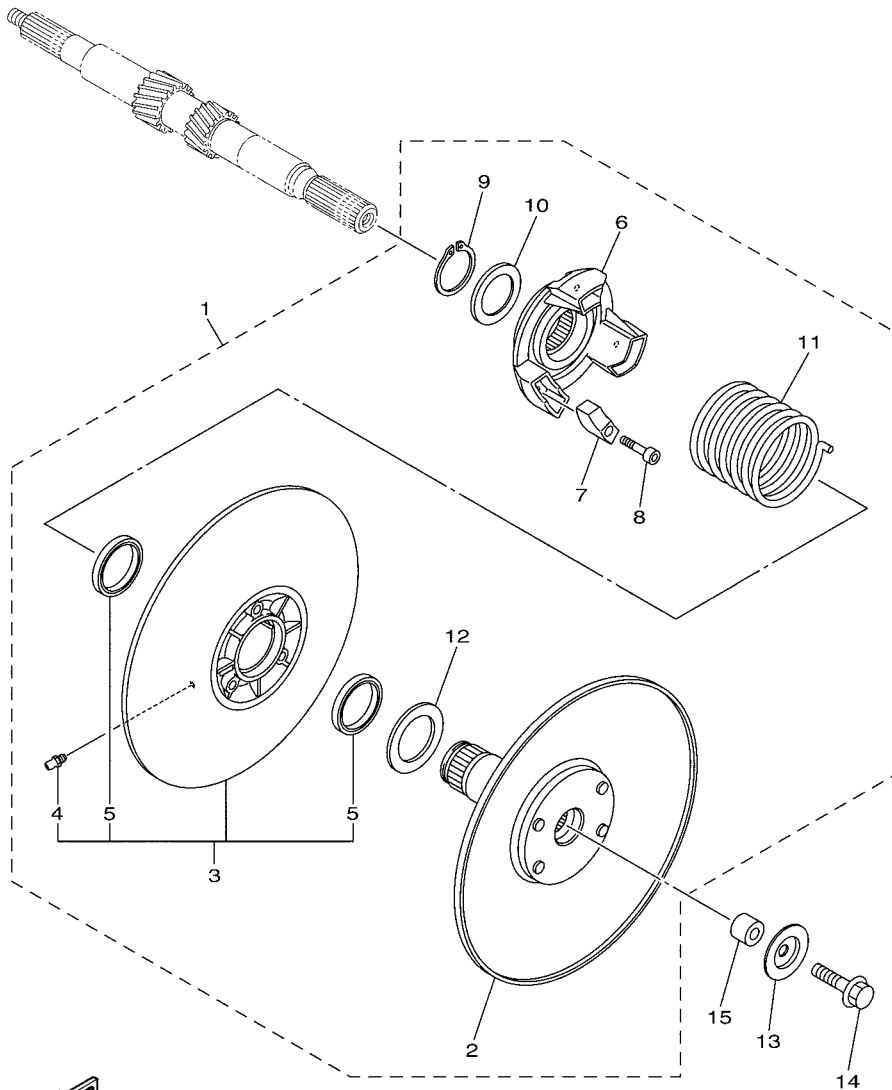
REF. NO.	PART NO.	DESCRIPTION	JW84				REMARKS
1	JW8-G6201-21	PRIMARY CLUTCH ASSY	1				
2	JW8-G6210-00	.PRIMARY FIXED SHEAVE COMP.	1				
3	JW8-G6220-21	.PRIMARY SLIDING SHEAVE COMP.	1				
4	JW8-G624A-00	..OIL SEAL 1	2				
5	JW8-G6253-00	..SLIDER	3				
6	JW8-G4189-00	..SCREW	3				
7	JW8-F135J-00	..NIPPLE	1				
8	JW8-G6251-21	.SPIDER	1				
9	JW8-G6205-21	.WEIGHT LINK ASSY	3				
10	JW8-G5618-00	..WASHER, 1	2				
11	90113-04803	..BOLT, SET	1				
12	JW8-G6236-20	.PIN, WEIGHT	3				
13	JW8-G6237-20	.PIN, WEIGHT 2	3				
14	90113-04803	.BOLT, SET	6				
15	JW8-G5618-00	.WASHER, 1	6				
16	JW8-G5621-00	.WASHER, 2	6				
17	JW8-G6231-21	.CAP	1				
18	JW8-G5282-00	.SCREW	3				
19	JW8-G6249-00	BOLT	1				
20	JW8-G7339-00	PLUG	1				
21	J55-G6241-00	V-BELT	1				



JC05110-M180

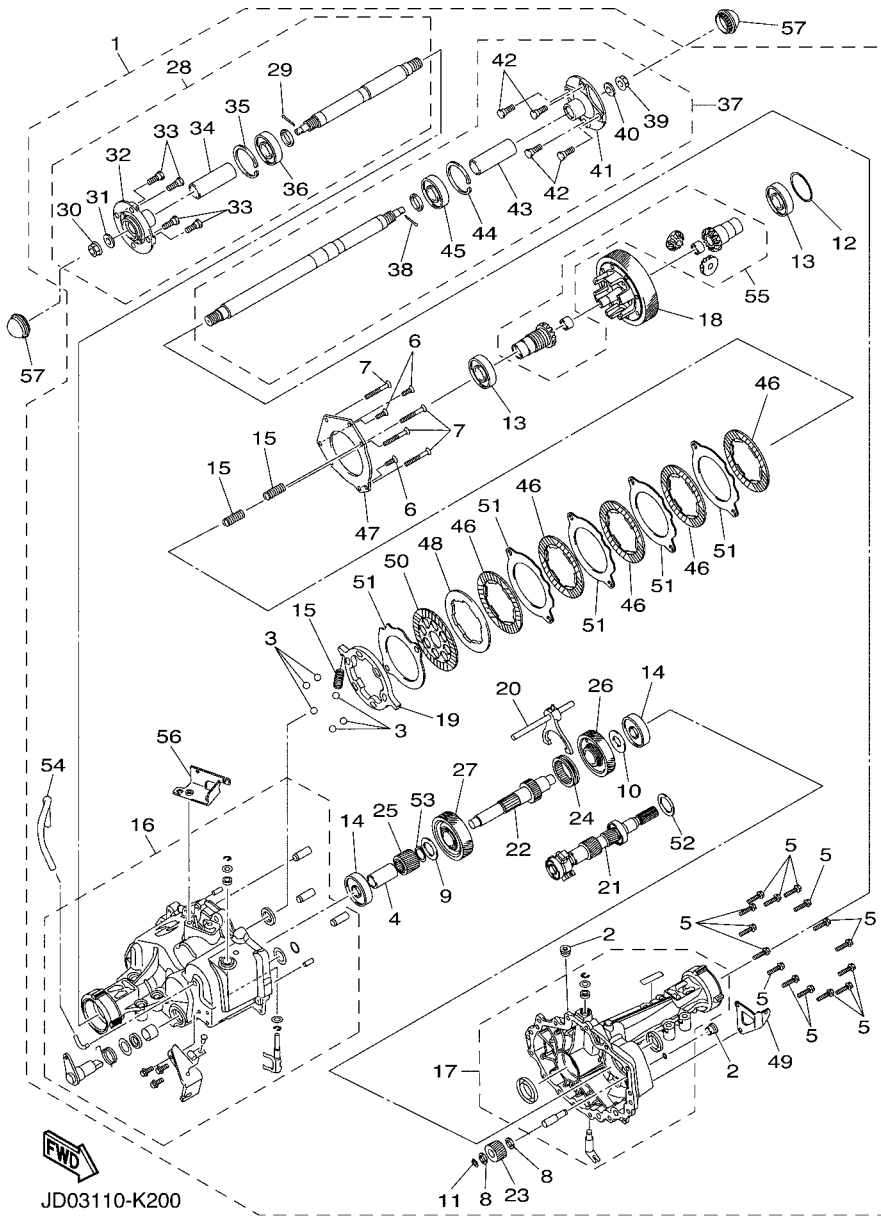
FIG. 20 SECONDARY SHEAVE

REF. NO.	PART NO.	DESCRIPTION	JW84				REMARKS
1	JW8-G6202-20	SECONDARY SHEAVE ASSY	1				
2	JW8-G6260-20	.SECONDARY FIXED SHEAVE COMP.	1				
3	JW8-G6270-20	.SECONDARY SLIDING SHEAVE COMP.	1				
4	JW8-F135J-00	..NIPPLE	1				
5	JW8-G624B-00	..OIL SEAL 2	2				
6	JW8-G6284-00	..SEAT, SECONDARY SPRING	1				
7	JW8-E7688-00	.SHOE, RAMP	3				
8	JW8-G6159-00	.BOLT 3	3				
9	JW8-G5531-00	.CLIP, DRIVE SHAFT	1				
10	JW8-G6374-00	.COLLAR, SPRING	1				
11	JW8-G6275-10	.SPRING, CLUTCH 1	1				
12	JW8-G5677-00	.WASHER	1				
13	90209-08018	WASHER	1				
14	90105-08002	BOLT, FLANGE	1				
15	JW8-G5697-20	COLLAR	1				



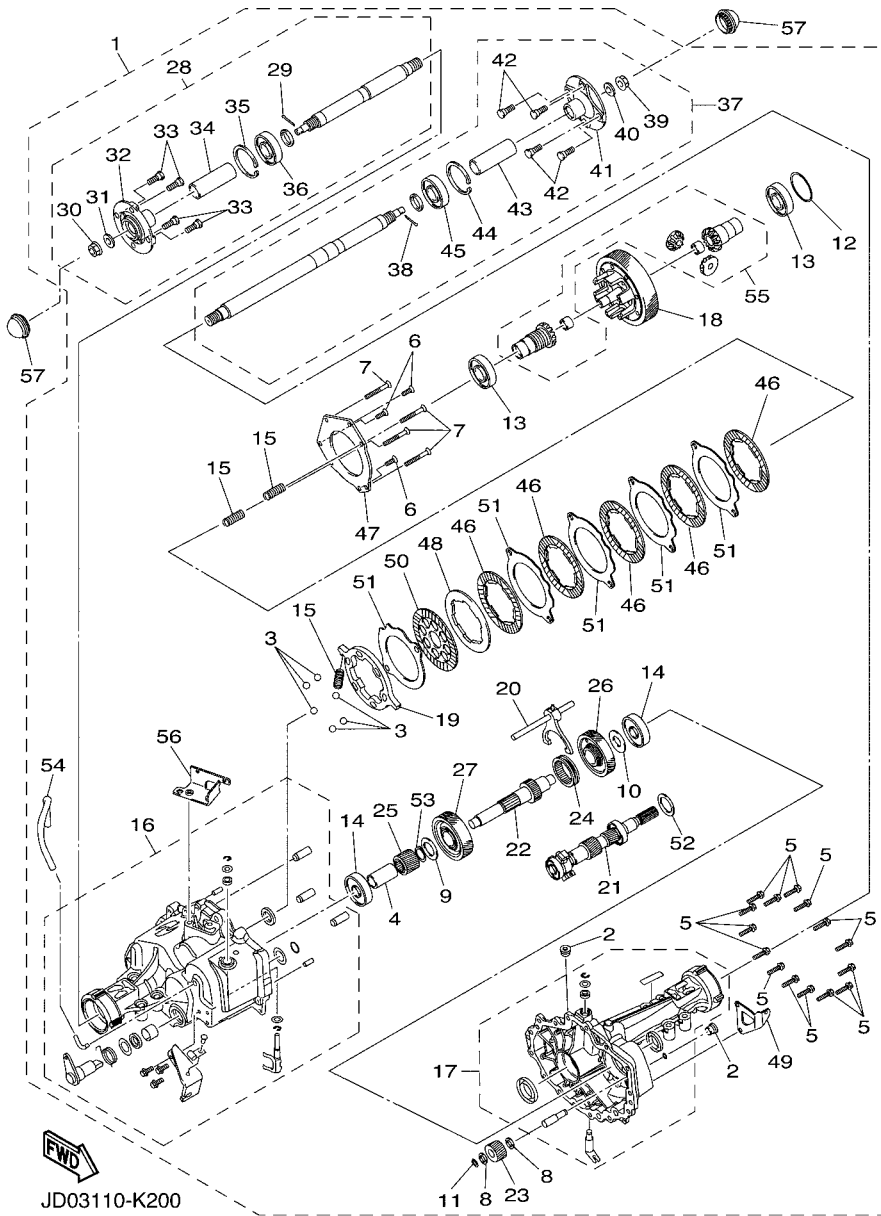
JC05110-M190

FIG. 21 TRANSAXLE & BRAKE



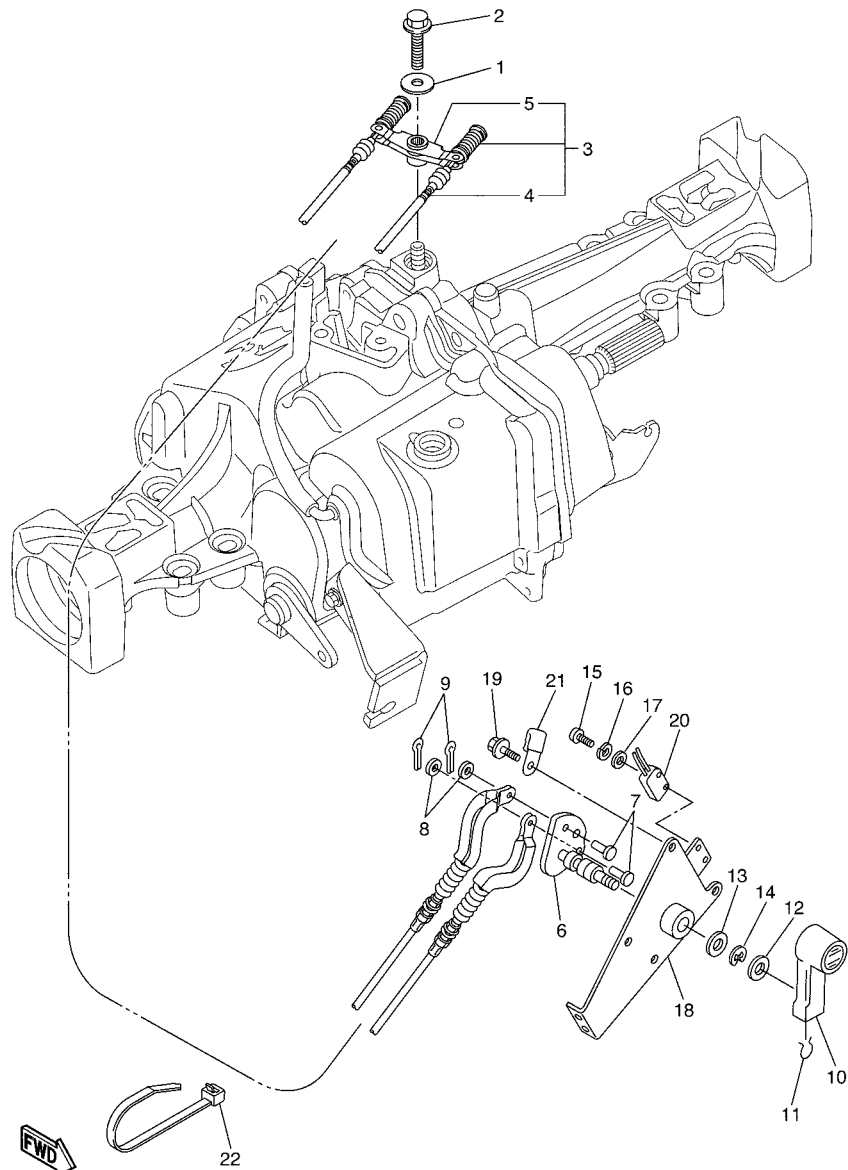
REF. NO.	PART NO.	DESCRIPTION	JW84				REMARKS
1	JW1-G6300-02	TRANS AXLE ASSY	1				
2	JW1-G6168-00	.PLUG, DRAIN 1	2				
3	JW1-F4684-00	.BALL	6				
4	JW1-G4132-00	.BUSHING	1				
5	JW1-G4582-00	.BOLT, 2	15				
6	JW1-G4189-00	.SCREW	3				
7	JW1-G6158-00	.BOLT 2	4				
8	JW1-G4188-00	.WASHER	2				
9	JW1-G5677-00	.WASHER	1				
10	JW1-G5618-00	.WASHER, 1	1				
11	JW1-G6443-00	.RING, HOLDOUT	1				
12	JW1-G6117-00	.SHIM, RING GEAR	1				UN
13	JW1-G6164-00	.BEARING 1	2				
14	JW1-G6165-00	.BEARING 2	2				
15	JW1-G4135-00	.SPRING	3				
16	JW1-G6540-02	.REAR AXLE HOUSING COMP.	1				
17	JW1-G6550-02	.REAR AXLE HOUSING COMP. 2	1				
18	JW1-G6110-00	.RING GEAR COMP.	1				
19	JW1-F384K-00	.BALL, SEAT	1				
20	JW1-G4120-00	.HANDLE GEAR SHIFT ASSY	1				
21	JW1-G6320-00	.INPUT SHAFT ASSY	1				
22	JW1-G6348-00	.SHAFT 2	1				
23	JW1-G6356-00	.GEAR, IDLER	1				
24	JW1-G6328-00	.GEAR, WHEEL 3	1				
25	JW1-G6131-00	.GEAR, RING 2	1				
26	JW1-G6361-00	.GEAR, COUNTER 1	1				
27	JW1-G6362-00	.GEAR, COUNTER 2	1				

FIG. 21 TRANSAXLE & BRAKE



JD03110-K200

REF. NO.	PART NO.	DESCRIPTION	JW84				REMARKS
28	JW1-G6510-01	..REAR AXLE SHAFT COMP.	1				
29	JW1-G633J-00	..PIN, COTTER	1				
30	JW1-G4583-10	..NUT	1				
31	JW1-G2376-00	..WASHER, SPECIAL	1				
32	JW1-G6542-10	..HUB	1				
33	JW1-G4178-00	..BOLT, STUD	4				
34	JW1-G6128-01	..SPACER, BEARING	1				
35	JW1-G4156-00	..RING, SNAP	1				
36	JW1-F2176-00	..BEARING	1				
37	JW1-G6520-01	..REAR AXLE SHAFT COMP. 2	1				
38	JW1-G633J-00	..PIN, COTTER	1				
39	JW1-G4583-10	..NUT	1				
40	JW1-G2376-00	..WASHER, SPECIAL	1				
41	JW1-G6542-10	..HUB	1				
42	JW1-G4178-00	..BOLT, STUD	4				
43	JW1-G6128-01	..SPACER, BEARING	1				
44	JW1-G4156-00	..RING, SNAP	1				
45	JW1-F2176-00	..BEARING	1				
46	JW1-G6336-00	..PLATE 1	5				
47	JW1-G6114-00	..PLATE, COVER	1				
48	JW1-G4526-00	..PLATE	1				
49	JW1-G6554-00	..BRACKET 1	1				
50	JW1-G6345-00	..DISC, FRICTION	1				
51	JW1-G633H-00	..PLATE 2	5				
52	JW1-G6344-00	..SHIM	1				UN
53	JW1-G6854-00	..RING	1				
54	JW1-G6894-00	..HOSE	1				



JW61100-H210

FIG. 22 SHIFTER & CABLES

REF. NO.	PART NO.	DESCRIPTION	JW84				REMARKS
1	90201-05800	WASHER, PLATE	1				
2	90105-05005	BOLT, FLANGE	1				
3	JW1-G8330-01	CABLE END ASSY	1				
4	JW1-G6371-01	.WIRE, SHIFT	2				
5	JW1-G6383-01	.LEVER, SHIFT 2	1				
6	JW8-G6382-00	LEVER, SHIFT 1	1				
7	91702-06014	PIN, CLEVIS	2				
8	92902-06600	WASHER, PLATE	2				
9	91402-20012	PIN, COTTER	2				
10	JN3-G6381-00	KNOB, SHIFT	1				
11	JN3-G6376-00	SPRING SET	1				
12	90201-208S8	WASHER, PLATE	1				
13	90201-198S7	WASHER, PLATE	1				
14	99009-19400	CIRCLIP	1				
15	98502-04016	SCREW, PAN HEAD	2				
16	92902-04100	WASHER, SPRING	2				
17	92902-04600	WASHER, PLATE	2				
18	JN3-G6372-00	BRACKET, SHIFT WIRE	1				
19	90105-06831	BOLT, FLANGE	3				
20	JN3-82617-01	SWITCH	1				
21	90465-06038	CLAMP	1				
22	90464-76800	CLAMP	1				

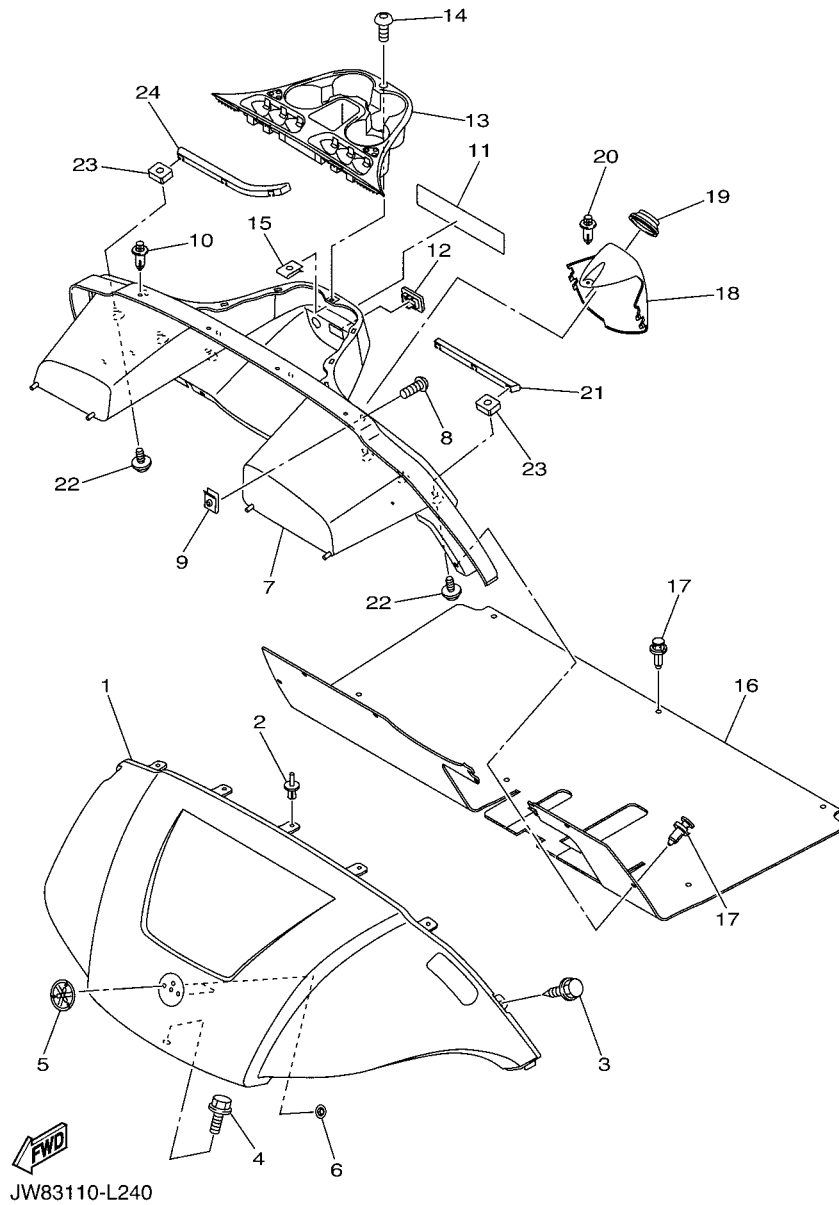
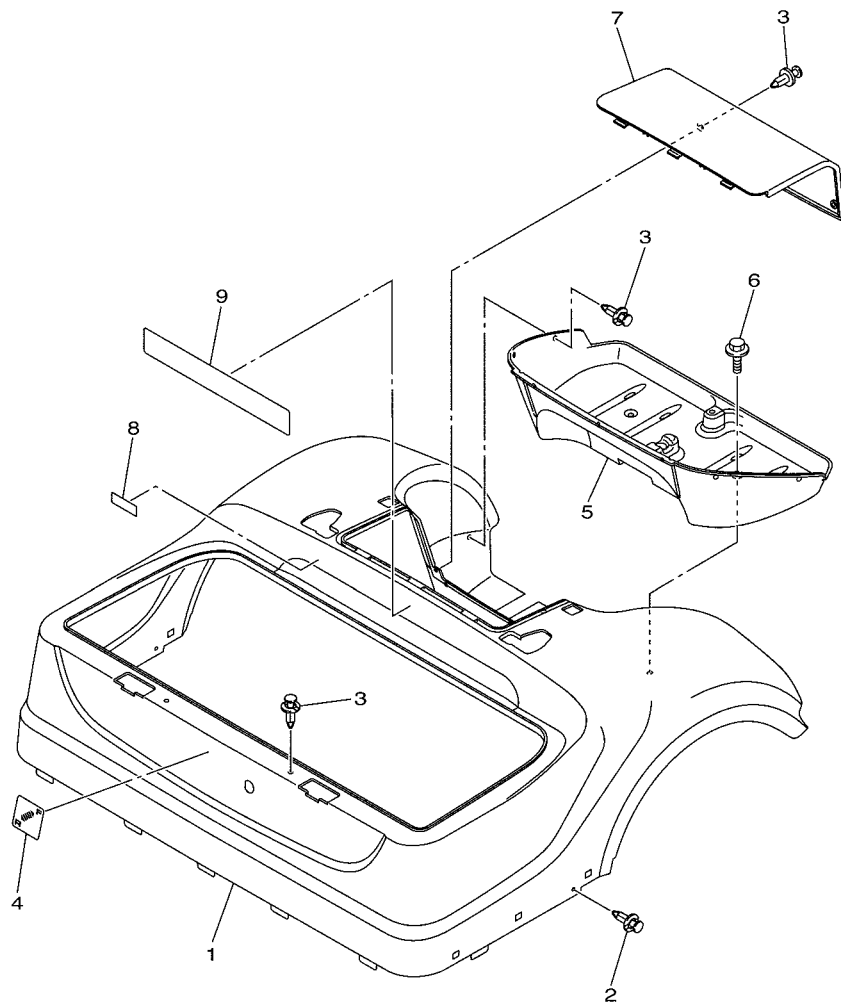


FIG. 25 BODY

REF. NO.	PART NO.	DESCRIPTION	JW84			REMARKS
1	JW1-K8115-01	COWL, FRONT	1			UR FOR WS7
	JW1-K8115-11	COWL, FRONT	1			UR FOR VDGS1
	JW1-K8115-21	COWL, FRONT	1			UR FOR HTR
	JW1-K8115-31	COWL, FRONT	1			UR FOR LNYM8
	JW1-K8115-90	COWL, FRONT	1			UR FOR LNMP
	JW1-K8115-51	COWL, FRONT	1			UR FOR BMG
	JW1-K8115-80	COWL, FRONT	1			UR FOR DPBST
2	90267-63047	RIVET, BLIND	5			
3	JW1-F3396-01	SCREW, SPECIAL	2			
4	90105-06870	BOLT, FLANGE	1			
5	JW1-F4161-10	EMBLEM 1	1			
6	90183-06071	NUT, SPRING	2			
7	JW1-K8114-01	PANEL, FRONT	1			
8	90111-05805	BOLT,HEX. SOCKET BUTTON	4			
9	90183-05008	NUT, SPRING	4			
10	90269-07001	RIVET	5			
11	JW1-K7768-00	LABEL, WARNING (E)	1			UR FOR CAN,JPN
	JW1-K7768-10	LABEL, WARNING (E,F)	1			UR EXCEPT CAN,JPN
	JW1-K7768-20	LABEL, WARNING (G,S)	1			UR EXCEPT CAN,JPN
12	JW1-F312G-00	PLUG	1			
13	JW8-K835E-00	HOLDER, BEVERAGE	1			
14	90111-05805	BOLT,HEX. SOCKET BUTTON	1			
15	90183-05008	NUT, SPRING	1			
16	JW1-K8233-11	MAT, MAIN FLOOR 3	1			
17	90269-09003	RIVET	11			
18	JW1-K8273-00	COVER, HOLE	1			
19	JW1-K8245-00	SEAL 1	1			

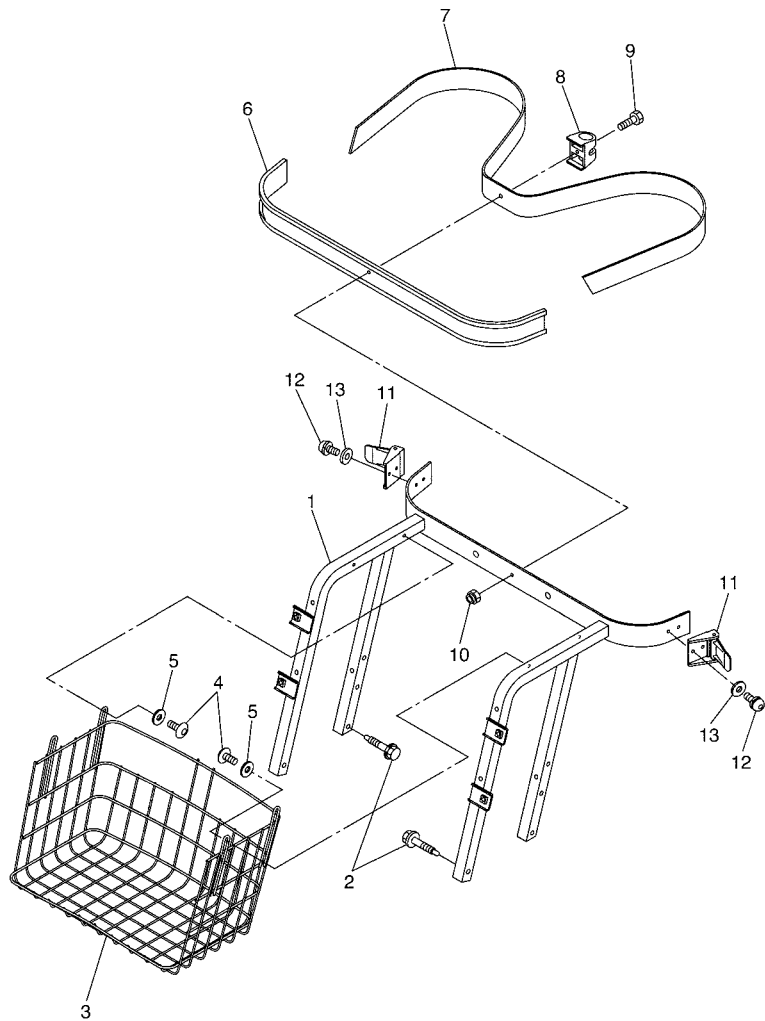


JW83110-L250

FIG. 26 BODY 2

REF. NO.	PART NO.	DESCRIPTION	JW84			REMARKS
1	JW1-K8142-00	PANEL, REAR BODY	1			UR FOR WS7
	JW1-K8142-10	PANEL, REAR BODY	1			UR FOR VDGS1
	JW1-K8142-20	PANEL, REAR BODY	1			UR FOR HTR
	JW1-K8142-30	PANEL, REAR BODY	1			UR FOR LNYM8
	JW1-K8142-90	PANEL, REAR BODY	1			UR FOR LNMP
	JW1-K8142-50	PANEL, REAR BODY	1			UR FOR BMG
	JW1-K8142-80	PANEL, REAR BODY	1			UR FOR DPBST
2	90269-06804	RIVET	2			
3	90269-08813	RIVET	11			
4	JW1-K7741-00	INDICATOR 1	1			
5	JW1-K8237-10	COVER, REAR FLOOR	1			
6	JW1-K6179-01	BOLT, SPECIAL 1	2			
7	JW1-K8151-00	PANEL, INSPECTION LID 1	1			
8	JN6-H2377-00	LABEL	1			
9	JW1-K8297-01	PLATE, CAUTION 1 (E,F)	1			UR FOR CAN,JPN
	JW1-K8297-10	PLATE, CAUTION 1 (G,S)	1			UR EXCEPT CAN,JPN

FIG. 28 CARRIER



REF. NO.	PART NO.	DESCRIPTION	JW84				REMARKS
1	JW1-K8423-10	SUPPORT, SEAT BACK	1				
2	90109-08002	BOLT	4				
3	JW1-K8340-00	LUGGAGE RACK ASSY., REAR	1				
4	90110-06102	BOLT, HEXAGON SOCKET HEAD	4				
5	90201-068G7	WASHER, PLATE	4				
6	JF2-K8356-00	PAD, BAG SUPPORT	1				
7	JN6-K8355-20	BAND	1				
8	JW1-K834G-00	HOLDER, RAKE SAND	1				
9	9708R-06020	BOLT	1				
10	90185-06836	NUT, SELF-LOCKING	1				
11	JN6-K8380-00	LOCK ASSY	2				
12	90159-06845	SCREW, WITH WASHER	4				
13	9299R-06200	WASHER	4				



JW11100-E270

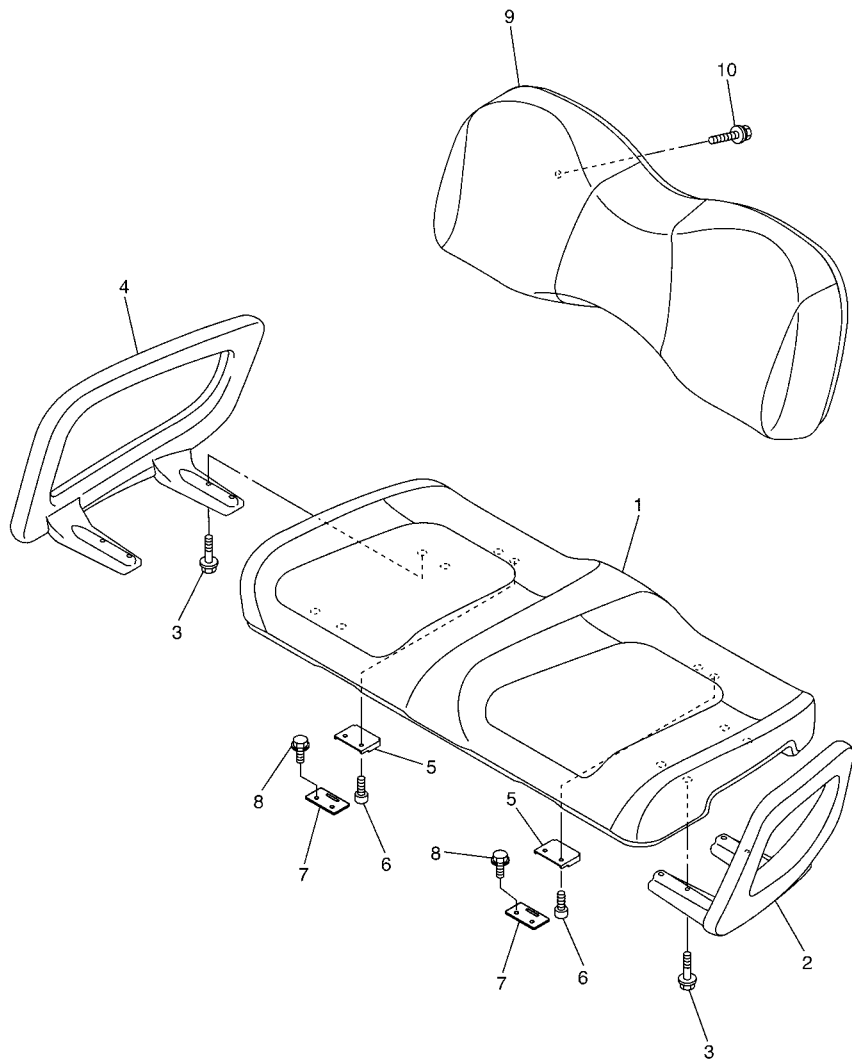
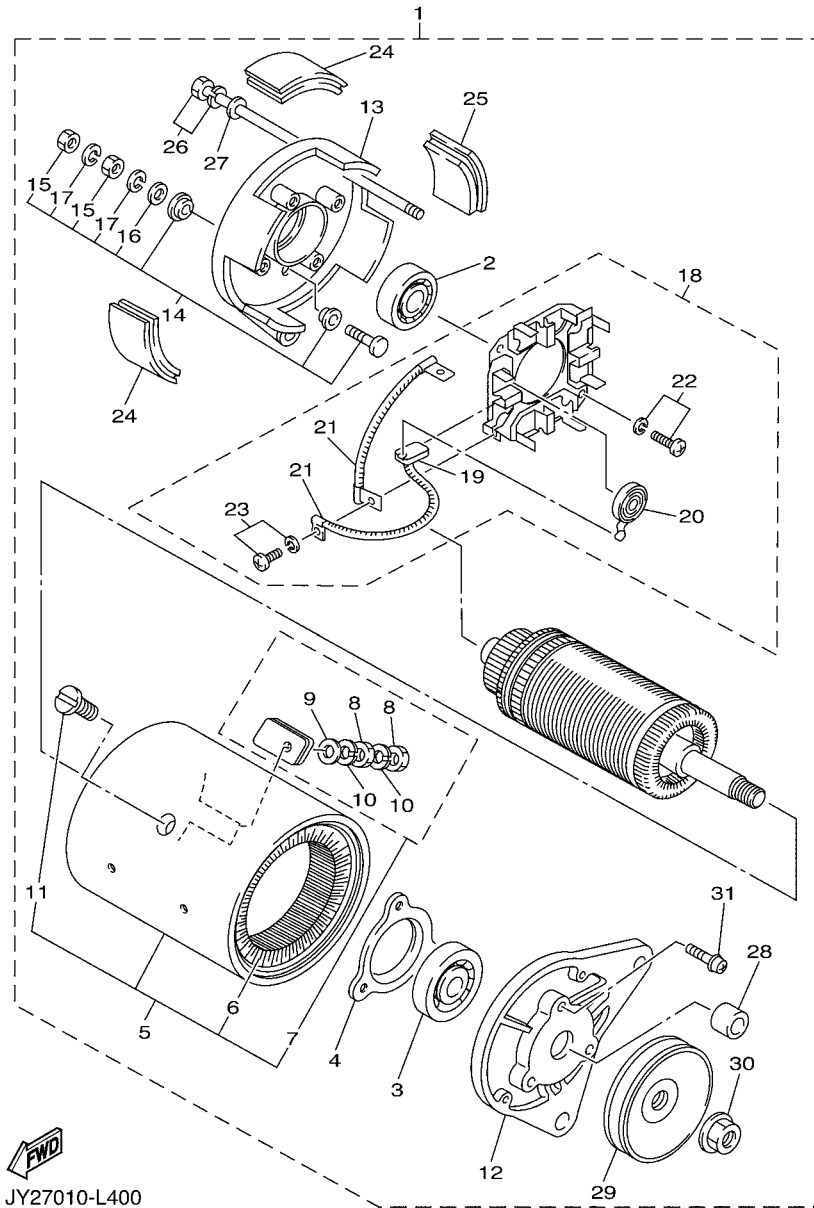


FIG. 29 SEAT

REF. NO.	PART NO.	DESCRIPTION	JW84				REMARKS
1	JW1-K8401-10	SEAT SUB-ASSY,CUSHION	1				
2	JW1-K8361-00	ARM REST 1	1				
3	90105-06042	BOLT, FLANGE	8				
4	JW1-K8362-00	ARM REST 2	1				
5	JW1-K8426-00	HINGE, SEAT 1	2				
6	90110-06125	BOLT, HEXAGON SOCKET HEAD	4				
7	JW1-K8427-00	HINGE, SEAT 2	2				
8	90163-06802	SCREW, TAPPING	4				
9	JW1-K8402-10	SEAT SUB ASSY, BACK	1				
10	90119-06808	BOLT, WITH WASHER	4				



JW11100-E280



JY27010-L400

FIG. 30 STARTING MOTOR

REF. NO.	PART NO.	DESCRIPTION	JW84				REMARKS
1	JN6-H1100-04	STARTER GENERATOR ASSY	1				
2	J10-H1157-10	.BEARING 1	1				
3	J10-H1158-10	.BEARING 2	1				
4	J10-81159-10	.HOLDER, BEARING	1				
5	JN6-H1110-10	.STATOR ASSY	1				
6	JN6-H1160-10	..FIELD COIL ASSY	1				
7	J10-81148-10	..SCREW SET 4	2				
8	9530N-06600	...NUT,HEX	2				
9	9290N-06600	...WASHER	1				
10	92907-06100	...WASHER, SPRING	2				
11	J10-81146-10	..SCREW 2	4				
12	JN6-H1165-00	.BRACKET, STARTER GENERATOR 1	1				
13	J10-H1166-10	.BRACKET, STARTER GENERATOR 2	1				
14	J10-81147-10	.SCREW SET 3	2				
15	9530N-06600	..NUT,HEX	2				
16	9290N-06600	..WASHER	1				
17	92907-06100	..WASHER, SPRING	2				
18	JN6-H1119-00	.BRUSH HOLDER ASSY	1				
19	JF2-H1111-00	..BRUSH	4				
20	JN6-H1113-00	..SPRING, BRUSH	4				
21	J10-81115-10	..WIRE, LEAD	2				
22	9850N-05016	..SCREW, PAN HEAD	2				
23	9850N-04010	..SCREW, PAN HEAD	4				
24	J10-81129-10	.COVER, BRUSH	3				
25	J10-81139-10	.COVER, BRUSH 2	1				
26	J10-H1145-10	.SCREW 1	2				
27	9290N-06600	.WASHER	2				

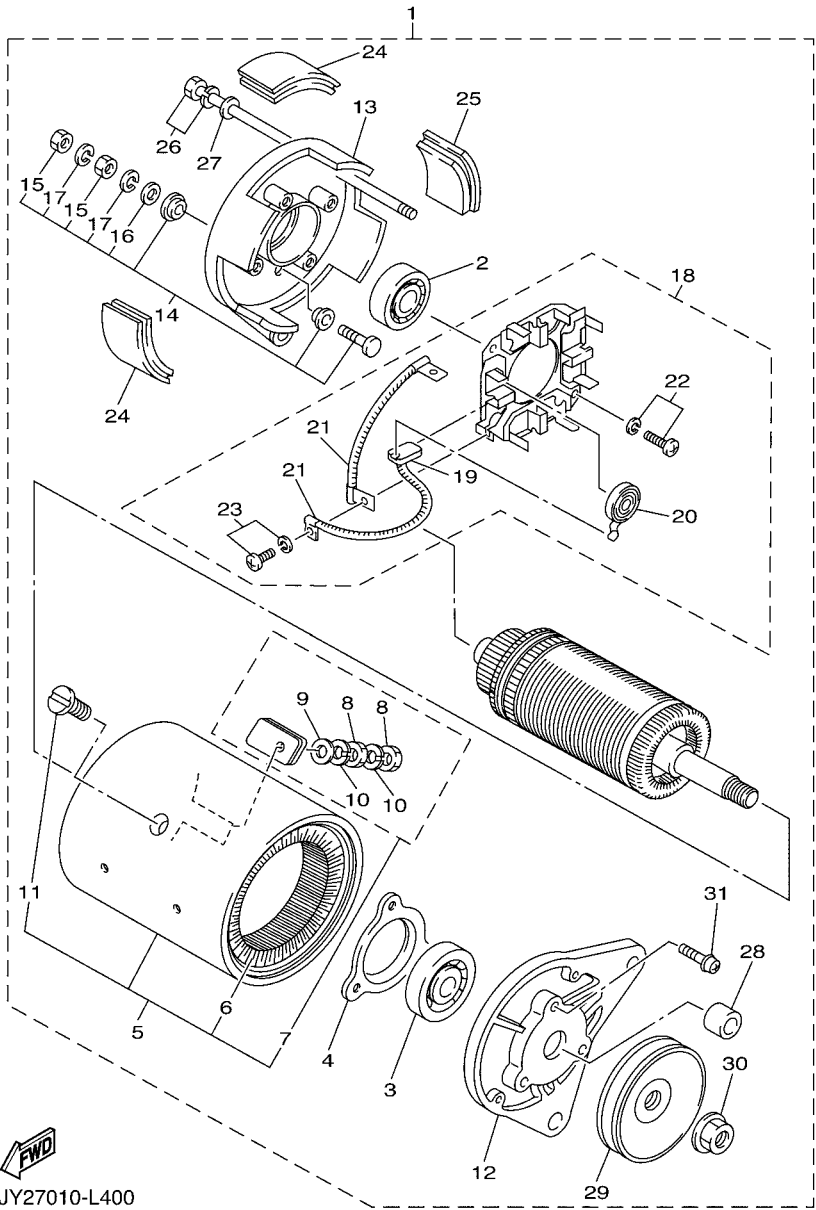


FIG. 30 STARTING MOTOR

REF. NO.	PART NO.	DESCRIPTION	JW84				REMARKS
28	JN3-H1661-00	.SPACER	1				
29	JN6-H1161-00	.PULLEY	1				
30	90179-16889	.NUT	1				
31	9850N-05018	.SCREW, PAN HEAD	3				

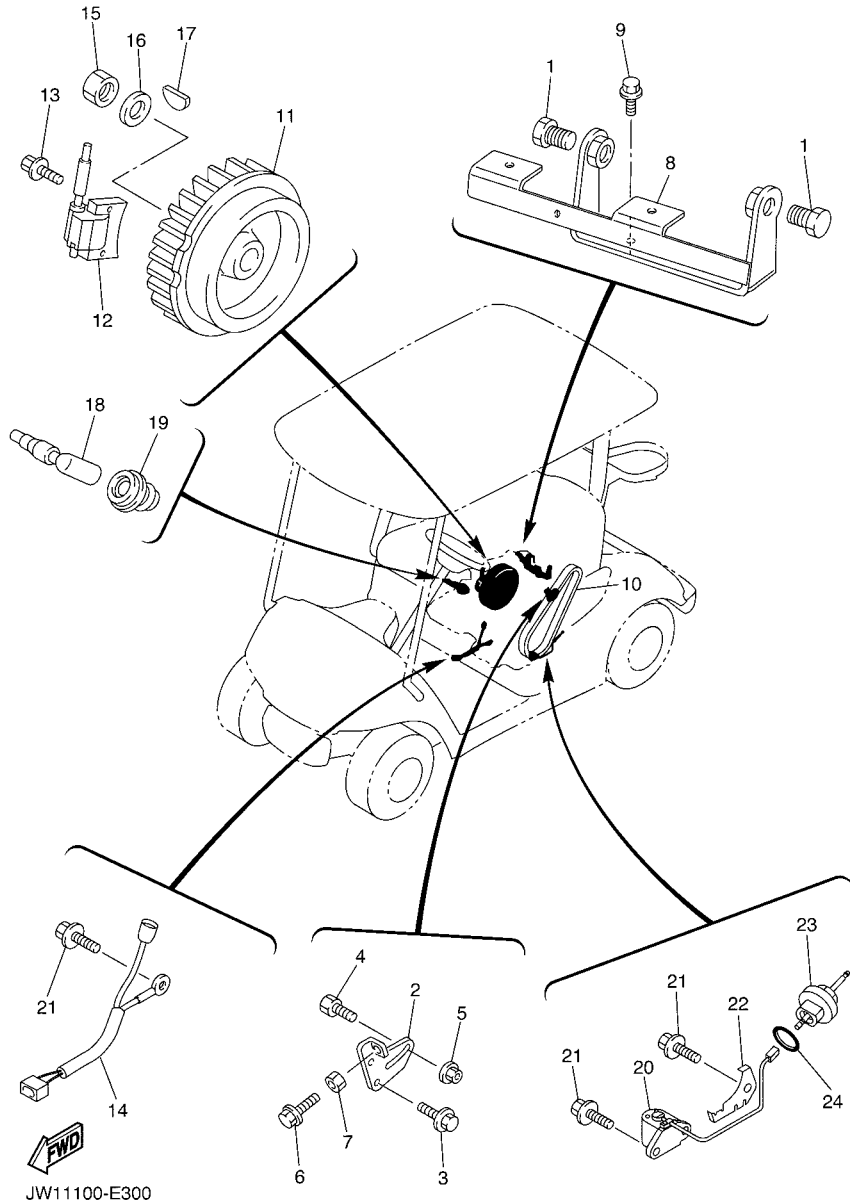


FIG. 31 ELECTRICAL 1

REF. NO.	PART NO.	DESCRIPTION	JW84				REMARKS
1	95812-12030	BOLT, FLANGE	2				
2	JW1-H1170-11	TENSIONER ASSY	1				
3	95822-08020	BOLT, FLANGE	2				
4	90109-08827	BOLT	1				
5	95702-08500	NUT, FLANGE	1				
6	90101-06478	BOLT	1				
7	95302-06600	NUT	1				
8	JN6-H1171-11	BRACKET, STARTER GENERATOR	1				
9	95822-08020	BOLT, FLANGE	2				
10	JW1-H1173-00	BELT	1				
11	JR7-85650-00	ROTOR ASSY	1				
12	JN6-85640-01	T.C.I. UNIT ASSY	1				
13	95817-06025	BOLT, FLANGE	2				
14	JN6-82318-00	WIRE, SUB-LEAD	1				
15	95302-18600	NUT	1				
16	90201-18620	WASHER, PLATE	1				
17	90280-04801	KEY, WOODRUFF	1				
18	JN6-82370-00	PLUG CAP ASSY	1				
19	JE8-82372-00	SEAL, PLUG CAP	1				
20	JT0-85720-00	OIL LEVEL GAUGE ASSY	1				
21	95817-06012	BOLT, FLANGE	4				
22	JT0-85724-00	CLAMP	1				
23	JT0-15362-00	PLUG, OIL LEVEL	1				
24	93210-15566	O-RING	1				

FIG. 32 ELECTRICAL 2

REF. NO.	PART NO.	DESCRIPTION	JW84	REMARKS
1	JW1-H2133-00	SCREW, FITTING	2	
2	J55-H2136-00	PLATE, BATTERY FITTING	1	
3	92902-06200	WASHER	2	
4	95702-06500	NUT, FLANGE	2	
5	JW1-H2115-01	WIRE, PLUS LEAD	1	
6	JW1-H2116-02	WIRE, MINUS LEAD	1	
7	JW1-H2117-00	WIRE, LEAD	1	
8	JW8-H2590-10	WIRE HARNESS ASSY	1	
9	42X-82151-00	.FUSE (10A-BL)	1	
10	JR1-H2150-00	.FUSE HOLDER ASSY	1	
11	JW1-H1950-00	RELAY ASSY	1	
12	90179-05807	.NUT	2	
13	90179-08824	.NUT	2	
14	90105-06831	BOLT, FLANGE	2	
15	JF2-81910-10	VOLTAGE REGULATOR ASSY	1	
16	90105-06870	BOLT, FLANGE	1	
17	JF7-82817-22	SWITCH	1	
18	98502-05025	SCREW, PAN HEAD	2	
19	92902-05600	WASHER, PLATE	2	
20	JR1-H3383-02	BUZZER	1	
21	JN6-H3386-01	STAY, BUZZER	1	
22	*	BATTERY ASSY (GC-24, 12V)	1	LM FOR CAN,JPN
	*	BATTERY ASSY (GS 80D26R,H)	1	LM EXCEPT CAN,JPN
23	4U8-81950-02	RELAY ASSY	1	
24	90464-20237	CLAMP	5	
25	90461-14108	CLAMP	1	
26	90464-09823	CLAMP	1	

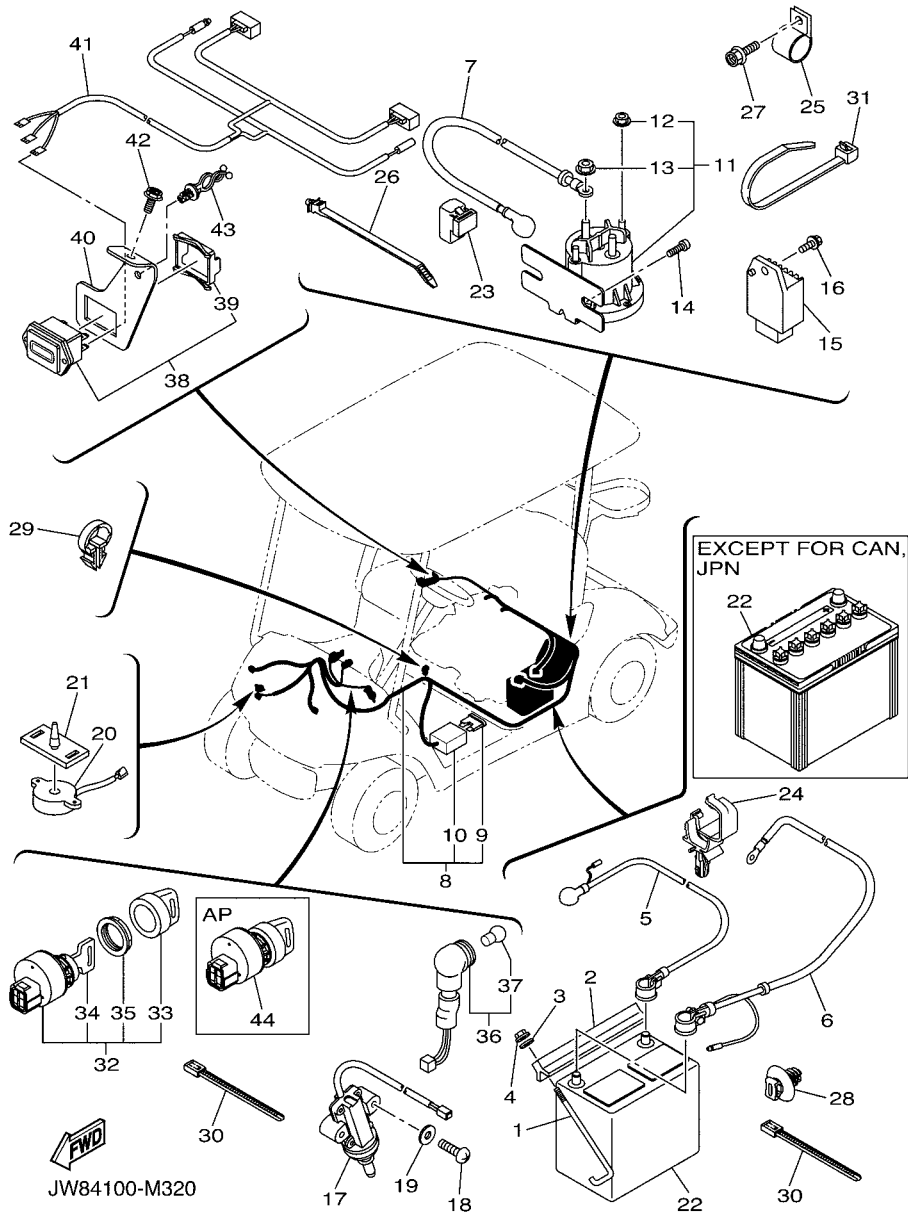


FIG. 32 ELECTRICAL 2

REF. NO.	PART NO.	DESCRIPTION	JW84	REMARKS
27	90105-08867	BOLT, FLANGE	1	
28	5UG-F2465-10	HOLDER	2	
29	90464-19815	CLAMP	1	
30	90464-40825	CLAMP	4	
31	90464-76800	CLAMP	1	
32	JW1-H2510-00	MAIN SWITCH ASSY	1	STD
33	5UG-H2579-00	.CAP, KEY	1	
34	JU2-H2511-00	.KEY, MAIN SWITCH	2	
35	JU6-H2569-00	.NUT, MAIN SWITCH	1	
36	JN6-83530-00	PILOT LIGHT ASSY	1	
37	123-83516-21	.BULB (12V-3.4W)	1	
38	JN6-H351C-00	HOUR METER	1	EXCEPT FOR CAN
39	JW1-H1128-00	.CLAMP	1	EXCEPT FOR CAN
40	JW1-F4881-00	BRKT., METER	1	EXCEPT FOR CAN
41	JW1-H2386-10	EXTENSION, WIRE HARNESS	1	EXCEPT FOR CAN
42	90105-06831	BOLT, FLANGE	1	EXCEPT FOR CAN
43	90464-12836	CLAMP	1	EXCEPT FOR CAN
44	JU2-H2510-20	MAIN SWITCH ASSY	1	AP RANDOMEKEY

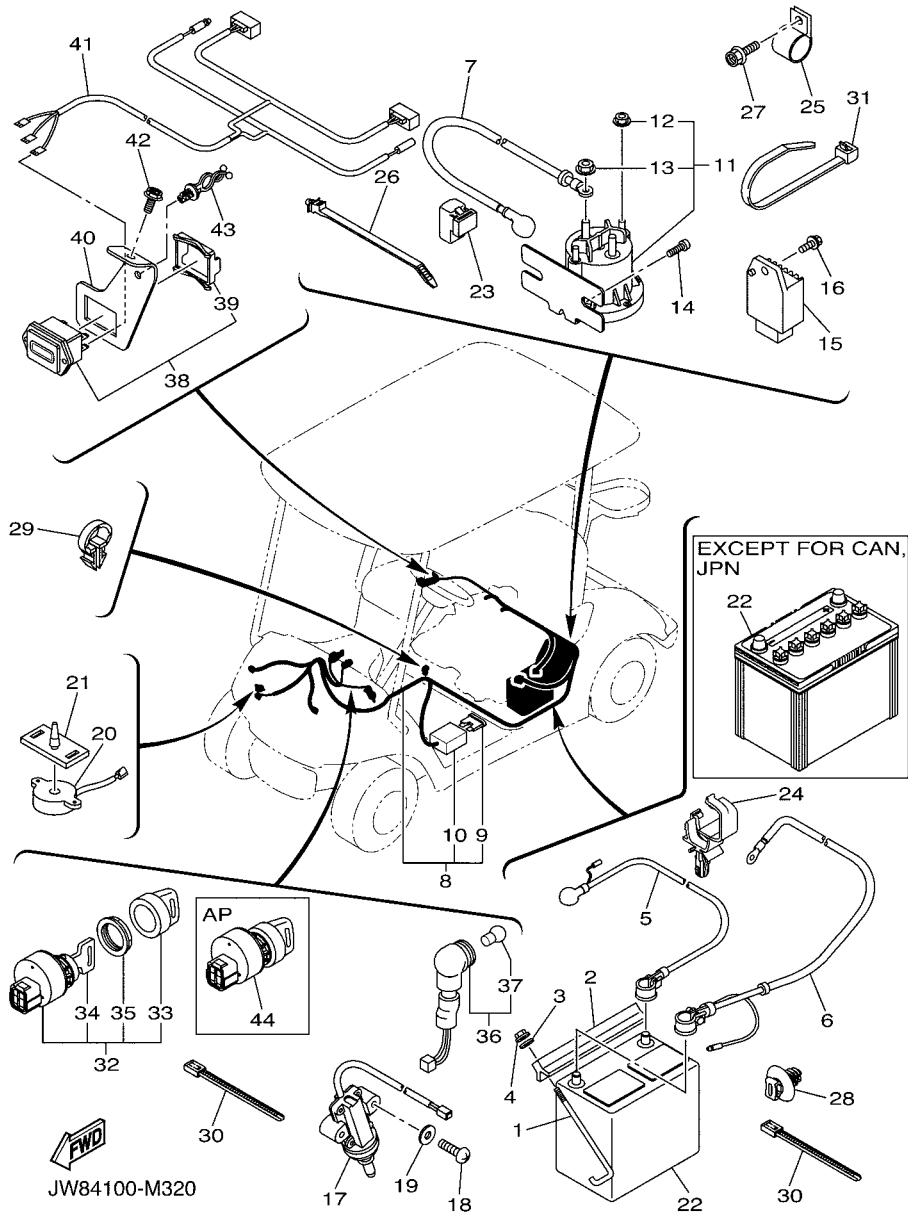
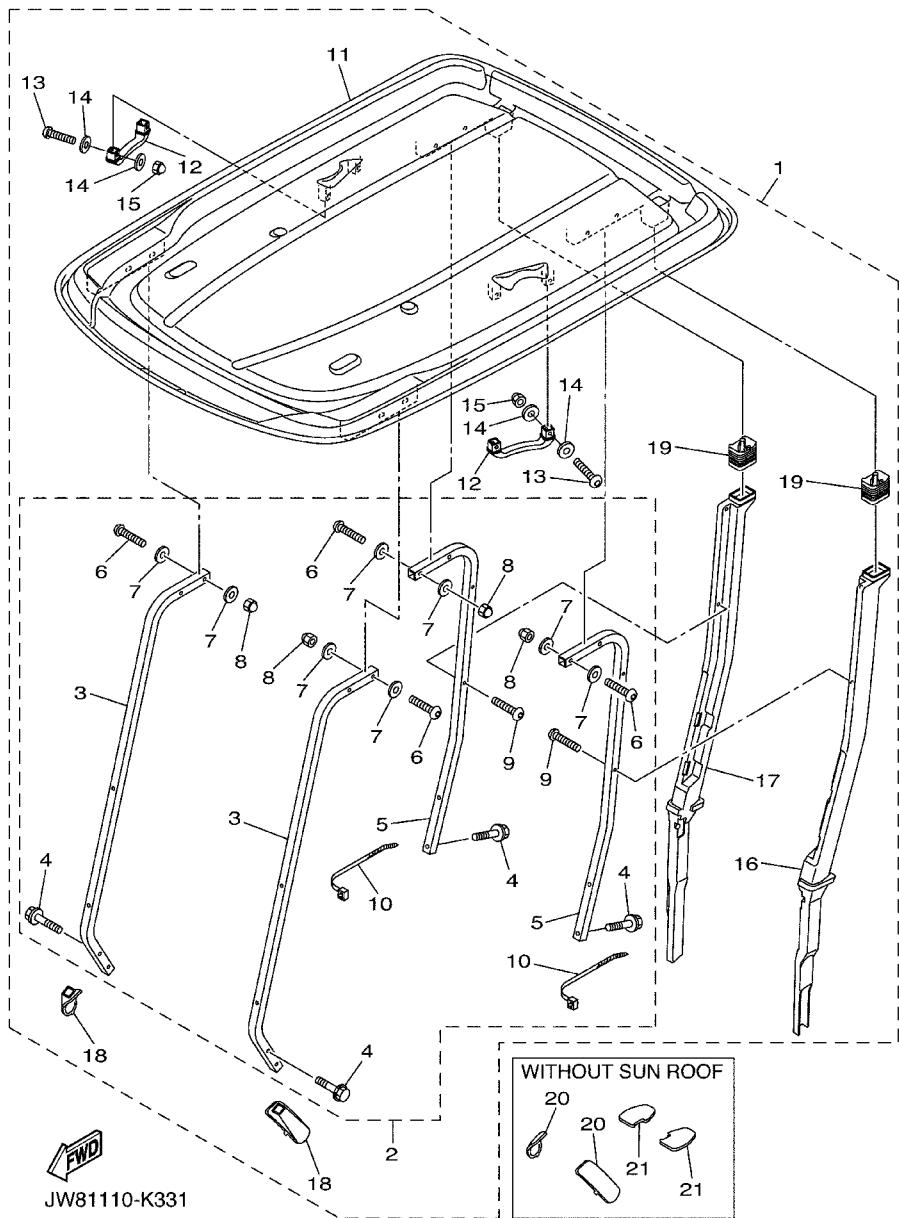


FIG. 33 ALTERNATE FOR SUN ROOF



REF. NO.	PART NO.	DESCRIPTION	JW84		REMARKS
1	JW1-K84A0-01	SUN TOP KIT	1		AP
2	JW1-K84A2-01	.HARDWARE KIT, SUN TOP	1		
3	JW1-K8312-00	..SUPPORT, SUN ROOF 1	2		
4	JW1-K8388-00	..BOLT, ROOF 1	8		
5	JW1-K8313-01	..SUPPORT, SUN ROOF 2	2		
6	JU0-K8388-00	..BOLT, ROOF 1	8		
7	JW1-F1549-01	..WASHER, FENDER MOLD	8		
8	JU0-K8398-00	..NUT, ROOF 1	8		
9	JW1-K7387-00	..SCREW	4		
10	90464-76800	..CLAMP	2		
11	JW1-K8314-10	.COVER, SUN ROOF	1		
12	JW1-K8214-00	.GRIP, HAND	2		
13	JU0-K8388-00	.BOLT, ROOF 1	4		
14	JW1-F1549-01	.WASHER, FENDER MOLD	8		
15	JU0-K8398-00	.NUT, ROOF 1	4		
16	JW1-F413G-00	.TUBE, DRAIN	1		
17	JW1-F413J-00	.TUBE, DRAIN 2	1		
18	JW1-K832F-10	.GROMMET, ROOF SUPPORT 1	2		
19	JW1-F414G-10	.SEAL	2		
20	JW1-K832H-00	GROMMET, ROOF SUPPORT 3	2		AP
21	JW1-K833H-00	GROMMET, ROOF SUPPORT 4	2		AP

NUMERICAL INDEX

PART NO.	REF. NO.	PART NO.	REF. NO.	PART NO.	REF. NO.	PART NO.	REF. NO.	PART NO.	REF. NO.	PART NO.	REF. NO.
JT0-11111-00	2 - 1	7E1-14191-00	7 - 22	123-83516-21	32 - 37	JW1-F3350-10	13 - 15	JW1-F4313-01	16 - 12	JW9-F7231-10	17 - 21
JN6-11116-00	2 - 10	1KT-14197-01	7 - 25	JN6-83530-00	32 - 36	JW1-F3390-10	13 - 20	JW1-F4314-00	15 - 15	JW9-F7232-00	17 - 22
JN6-11133-10	2 - 2	127-14198-00	7 - 14	JN6-85640-01	31 - 12	JW1-F3394-00	15 - 10		16 - 13	JW9-F7245-10	17 - 33
JR7-11163-10	2 - 18	7NJ-14211-00	7 - 6	JR7-85650-00	31 - 11		16 - 8	JW7-F4314-10	15 - 24	JW9-F7246-20	17 - 49
JN6-11168-00	2 - 11	73A-14212-00	7 - 23	JT0-85720-00	31 - 20	JW1-F3396-01	25 - 3	JW1-F4316-00	15 - 25	JW8-F7316-00	17 - 34
JN6-11169-00	2 - 12	73A-14212-10	7 - 7	JT0-85724-00	31 - 22		27 - 3	JW1-F4317-00	15 - 26	JW8-F7317-00	17 - 43
JT0-11181-00	2 - 3		7 - 19	JW1-E1116-00	2 - 16	JW1-F3400-00	14 - 11	JU5-F4375-00	15 - 3	JW8-F7318-00	17 - 23
JN6-11191-01	2 - 9	J10-14227-00	7 - 5	JN6-E1166-00	2 - 15	5UG-F3489-00	14 - 21		15 - 6	JW8-F7322-00	17 - 18
JN6-11193-00	2 - 13	3G2-1423A-67	7 - 11	JW1-E1166-00	2 - 15	JU0-F3511-10	13 - 4		16 - 3	JW1-F7411-11	12 - 7
812-11198-00	9 - 10	3G2-1423A-68-A0	7 - 11	JW1-E2691-00	5 - 9	JW1-F3512-00	13 - 5	JN6-F4410-11	15 - 9	JW8-F7416-00	17 - 11
JN6-11400-00	3 - 1	3G2-1423E-33-A0	7 - 11	JU0-E3505-09	6 - 14	JU0-F3521-10	13 - 13		16 - 7	JW8-F7426-00	17 - 20
JN6-11454-10	3 - 8	JN6-14291-00	7 - 4	JU0-E4411-00	6 - 10	5UG-F3527-00	14 - 22	JW8-F4425-00	12 - 2	JW8-F7434-00	17 - 42
JR7-11610-00	3 - 3	7KY-14613-01	8 - 3	JU0-E4412-00	6 - 11	JU0-F3570-20	13 - 1	JW8-F4486-00	17 - 47	JW8-F7438-00	17 - 41
JR7-11610-10	3 - 3	1WG-14922-00	7 - 18	5UH-E4424-00	6 - 17	JW1-F3811-02	14 - 1		17 - 51	JW8-F7445-20	17 - 36
JR7-11610-20	3 - 3	JN6-1495H-3B	7 - 9	JU0-E4450-00	6 - 12	JW1-F3812-00	14 - 14	JN6-F4560-00	15 - 12	JW8-F7814-20	17 - 6
JR7-11631-00-A0	3 - 2	JR7-15100-02	9 - 1	JU0-E445E-00	6 - 13	JW1-F3822-01	14 - 30		16 - 10		17 - 46
583-11633-00	3 - 4	JR7-15123-00	9 - 4	JW1-E4710-20	8 - 1	JU0-F3828-10	14 - 4	JN6-F4610-00	16 - 4	JW8-F7825-00	17 - 30
JR7-11635-00	3 - 2	JN6-15155-10	9 - 2	JW1-E4713-00	8 - 4	1P0-F3833-00	14 - 27	JW1-F4610-00	15 - 4	JW8-F7850-20	17 - 4
JR7-11636-00	3 - 2	J38-15361-00	9 - 22	JW1-E5407-00	9 - 3	JW1-F3837-00	14 - 23	JW8-F4619-00	12 - 3	JW8-F7853-10	17 - 38
JN6-11650-10	3 - 6	JT0-15362-00	31 - 23	JW8-E7688-00	20 - 7	JN3-F3838-00	14 - 6	JW1-F467K-00	14 - 24	JW9-F7871-10	17 - 39
JN6-11654-10	3 - 7	796-15363-01	9 - 20	JW8-F1153-00	12 - 5	5UG-F3844-00	14 - 20	JW1-F4684-00	21 - 3	JW8-F7872-20	17 - 40
JN6-12111-10	4 - 2	JN6-15411-01	9 - 12	JW8-F135J-00	19 - 7	JW1-F384K-00	21 - 19	JW1-F4881-00	32 - 40	JW8-F815H-00	17 - 45
J38-12117-01	4 - 6	JY2-15451-00	9 - 16		20 - 4	JU0-F3857-11	14 - 3	JW1-F5100-01	23 - 1	JW8-F8319-00	17 - 32
J38-12118-00	4 - 7	JR6-19001-00	1 - 1	JU0-F1436-00	8 - 2		14 - 5	JN6-F5118-01	13 - 30	JW8-F8323-00	17 - 27
4G0-12119-00	4 - 13	JT0-21481-00	10 - 3	JW1-F1549-01	33 - 7	JW1-F3866-00	14 - 25		21 - 57	JW8-F8331-00	17 - 50
7RH-12121-10	4 - 3	401-22128-01	13 - 17		33 - 14	JW1-F387A-00	14 - 12	JW8-F5415-00	17 - 28	JW8-F8363-00	17 - 10
JN6-12151-10	4 - 8	2NL-23448-00	13 - 10	JW1-F1738-00	12 - 6	JW1-F387E-00	14 - 15	JW9-F5666-00	17 - 15	JW1-G1661-00	21 - 56
JN6-12153-10	4 - 4	2NL-23517-00	13 - 12		12 - 8	5UG-F387F-00	14 - 18	JW9-F5671-00	17 - 8	JW1-G2376-00	21 - 31
JR7-12154-10	4 - 12	2HR-23526-00	13 - 3		15 - 7	5UG-F387G-00	14 - 16	JW9-F5672-00	17 - 7		21 - 40
J38-12156-20	4 - 11	JU0-23841-10	14 - 28		15 - 28	5UG-F387J-00	14 - 19	JW9-F5673-00	17 - 48	JW1-G4120-00	21 - 20
22F-12159-10	4 - 9	5PX-24180-00	15 - 21		16 - 5	5UG-F387K-00	14 - 17	JW8-F6311-01	17 - 53	JW1-G4132-00	21 - 4
JR7-12170-00	4 - 1	J38-27951-00	18 - 1	JW1-F2110-12	11 - 1	JW1-F3894-00	14 - 26	JW1-F6312-01	6 - 18	JW1-G4135-00	21 - 15
JN6-12616-00	5 - 3	J38-27959-00	18 - 5	JN6-F2123-10	11 - 2	JW8-F4111-01	15 - 1	JW1-F6331-00	6 - 19	JW1-G4156-00	21 - 35
JN6-12621-02	5 - 1	J10-81115-10	30 - 21	JN6-F2124-10	11 - 8	JW8-F4111-12	16 - 1	JU0-F6333-00	6 - 20		21 - 44
JN6-12651-00	5 - 5	J10-81129-10	30 - 24	JW1-F2176-00	21 - 36	JW1-F4112-00	15 - 5	JW1-F6341-31	17 - 1	JW1-G4178-00	21 - 33
JN6-12652-00	5 - 7	J10-81139-10	30 - 25		21 - 45	JW1-F413G-00	33 - 16	JW8-F639L-00	17 - 25		21 - 42
JR7-12658-00	5 - 6	J10-81146-10	30 - 11	JW1-F217G-10	11 - 12	JW1-F413J-00	33 - 17	JW8-F639N-00	17 - 12	JW1-G4188-00	21 - 8
JN6-13567-00	6 - 3	J10-81147-10	30 - 14	JW1-F2210-10	11 - 14	JW1-F414G-10	33 - 19	JW8-F7113-00	17 - 14	JW1-G4189-00	21 - 6
JN6-13595-00	6 - 1	J10-81148-10	30 - 7	JW1-F2277-00	11 - 13	JW1-F4161-10	25 - 5	JW8-F7117-00	17 - 9	JW8-G4189-00	19 - 6
JR6-14101-00	7 - 1	J10-81159-10	30 - 4	5UG-F2465-10	32 - 28	7CC-F4170-00	15 - 20	JW8-F7118-00	17 - 44	JW1-G4526-00	21 - 48
7LV-14118-00	7 - 24	JF2-81910-10	32 - 15	JW8-F2501-00	12 - 1	JW1-F419A-00	15 - 27	JW8-F7119-00	17 - 31	JW1-G4582-00	21 - 5
732-14142-65-A0	7 - 8	4U8-81950-02	32 - 23	JW8-F253B-00	12 - 4	JW1-F4300-00	15 - 2	JW8-F7121-00	17 - 16	JW1-G4583-10	21 - 30
73A-1414G-00	7 - 10	42X-82151-00	32 - 9	JW1-F258G-02	12 - 9		16 - 2	JW9-F7200-20	17 - 5		21 - 39
JN5-14150-00	7 - 16	JN6-82318-00	31 - 14	JW1-F312G-00	25 - 12	JW1-F4311-00	15 - 13	JW8-F7213-20	17 - 37	JW8-G5282-00	19 - 18
7R1-14162-00	7 - 15	JN6-82370-00	31 - 18	JW7-F312H-00	15 - 18		16 - 11	JW8-F7217-00	17 - 35	JW8-G5531-00	20 - 9
796-14184-00	7 - 12	JE8-82372-00	31 - 19		16 - 16	JW1-F4312-00	15 - 11	JW8-F7218-00	17 - 13	JW1-G5618-00	21 - 10
JN6-14185-00	7 - 13	JN3-82617-01	22 - 20	JW1-F3183-00	14 - 13		16 - 9	JW9-F7221-00	17 - 17	JW8-G5618-00	19 - 10
22F-14186-00	7 - 17	JF7-82817-22	32 - 17	JW8-F3183-00	17 - 19	JW1-F4313-01	15 - 14	JW9-F7228-00	17 - 26		19 - 15

NUMERICAL INDEX

PART NO.	REF. NO.	PART NO.	REF. NO.	PART NO.	REF. NO.	PART NO.	REF. NO.	PART NO.	REF. NO.	PART NO.	REF. NO.
JW8-G5621-00	19 - 16	JW8-G6374-00	20 - 10	5UG-H2579-00	32 - 33	JW1-K8312-00	33 - 3	90105-13800	11 - 3	90280-04801	31 - 17
JW1-G5677-00	21 - 9	JN3-G6376-00	22 - 11	JW8-H2590-10	32 - 8	JW1-K8313-01	33 - 5	90109-08002	28 - 2	90340-12097	9 - 9
JW8-G5677-00	20 - 12	JN3-G6381-00	22 - 10	JR1-H3383-02	32 - 20	JW1-K8314-10	33 - 11	90109-08827	31 - 4	90381-17067	13 - 11
JW8-G5697-20	20 - 15	JW8-G6382-00	22 - 6	JN6-H3386-01	32 - 21	JW1-K832F-10	33 - 18	90110-06102	28 - 4	90381-18001	13 - 2
JW1-G6110-00	21 - 18	JW1-G6383-01	22 - 5	JN6-H351C-00	32 - 38	JW1-K832H-00	33 - 20	90110-06125	29 - 6	90386-08141	18 - 3
JW1-G6114-00	21 - 47	JW1-G6410-20	21 - 55	JW1-K6179-01	26 - 6	JW1-K833H-00	33 - 21	90111-05805	25 - 8	90386-12800	17 - 29
JW1-G6117-00	21 - 12	JW1-G6443-00	21 - 11	JW1-K7387-00	33 - 9	JW1-K8340-00	28 - 3		25 - 14	90387-046N7	14 - 38
JW1-G6128-01	21 - 34	JW1-G6510-01	21 - 28	JW1-K7510-01	24 - 1	JW1-K834G-00	28 - 8	90113-04803	19 - 11	90387-12016	13 - 16
	21 - 43	JW1-G6520-01	21 - 37	JW1-K7540-11	24 - 5	JN6-K8355-20	28 - 7		19 - 14	90387-241M7	13 - 26
JW1-G6131-00	21 - 25	JW1-G6540-02	21 - 16	JW1-K7741-00	26 - 4	JF2-K8356-00	28 - 6	90114-12806	13 - 23	90461-14108	32 - 25
JW1-G6158-00	21 - 7	JW1-G6542-10	21 - 32	JU0-K7762-00	14 - 39	JW8-K8357-00	14 - 33	90119-06244	25 - 22	90461-15139	15 - 22
JW8-G6159-00	20 - 8		21 - 41	JU0-K7762-10	14 - 39	JN6-K8358-01	14 - 34	90119-06808	29 - 10	90464-09823	32 - 26
JW1-G6164-00	21 - 13	JW1-G6550-02	21 - 17	JU0-K7762-20	14 - 39	JW8-K835E-00	25 - 13	90119-06884	6 - 4	90464-12836	15 - 19
JW1-G6165-00	21 - 14	JW1-G6554-00	21 - 49	JW1-K7768-00	25 - 11	JW1-K8361-00	29 - 2	90159-06107	9 - 5		16 - 17
JW1-G6168-00	21 - 2	JW1-G6854-00	21 - 53	JW1-K7768-10	25 - 11	JW1-K8362-00	29 - 4	90159-06845	28 - 12		32 - 43
JW8-G6201-21	19 - 1	JW1-G6894-00	21 - 54	JW1-K7768-20	25 - 11	JN6-K8380-00	28 - 11	90163-06802	29 - 8	90464-19815	32 - 29
JW8-G6202-20	20 - 1	JW8-G7339-00	19 - 20	JW1-K8114-01	25 - 7	JU0-K8388-00	33 - 6	90170-05302	4 - 10	90464-20237	32 - 24
JW8-G6205-21	19 - 9	JW1-G8330-01	22 - 3	JW1-K8115-01	25 - 1		33 - 13	90173-06010	25 - 23	90464-40825	32 - 30
JW8-G6210-00	19 - 2	JN6-H1100-04	30 - 1	JW1-K8115-11	25 - 1	JW1-K8388-00	33 - 4	90179-05807	32 - 12	90464-76800	22 - 22
JW8-G6220-21	19 - 3	JN6-H1110-10	30 - 5	JW1-K8115-21	25 - 1	JU0-K8398-00	33 - 8	90179-08824	32 - 13		32 - 31
JW8-G6231-21	19 - 17	JF2-H1111-00	30 - 19	JW1-K8115-31	25 - 1		33 - 15	90179-12262	23 - 2		33 - 10
JW8-G6236-20	19 - 12	JN6-H1113-00	30 - 20	JW1-K8115-51	25 - 1	JW1-K8401-10	29 - 1	90179-13800	11 - 4	90465-06038	22 - 21
JW8-G6237-20	19 - 13	JN6-H1119-00	30 - 18	JW1-K8115-80	25 - 1	JW1-K8402-10	29 - 9	90179-16889	30 - 30	90467-10846	15 - 17
J55-G6241-00	19 - 21	JW1-H1128-00	32 - 39	JW1-K8115-90	25 - 1	JW1-K8423-10	28 - 1	90183-05008	25 - 9		16 - 15
JW8-G6249-00	19 - 19	J10-H1145-10	30 - 26	JW1-K8142-00	26 - 1	JW1-K8426-00	29 - 5		25 - 15	90467-12845	15 - 16
JW8-G624A-00	19 - 4	J10-H1157-10	30 - 2	JW1-K8142-10	26 - 1	JW1-K8427-00	29 - 7	90183-06071	25 - 6		16 - 14
JW8-G624B-00	20 - 5	J10-H1158-10	30 - 3	JW1-K8142-20	26 - 1	JW1-K8482-00	33 - 22	90185-06836	28 - 10	90467-13847	2 - 19
JW8-G6251-21	19 - 8	JN6-H1160-10	30 - 6	JW1-K8142-30	26 - 1	JW1-K84A0-01	33 - 1	90185-12061	14 - 7	90468-10049	6 - 6
JW8-G6253-00	19 - 5	JN6-H1161-00	30 - 29	JW1-K8142-50	26 - 1	JW1-K84A2-01	33 - 2	90201-04810	14 - 36		6 - 9
JW8-G6260-20	20 - 2	JN6-H1165-00	30 - 12	JW1-K8142-80	26 - 1	JG5-WF511-10	13 - 22	90201-05800	22 - 1	90468-10050	17 - 55
JW8-G6270-20	20 - 3	J10-H1166-10	30 - 13	JW1-K8142-90	26 - 1	90101-06478	31 - 6	90201-068G7	28 - 5	90468-20196	17 - 3
JW8-G6275-10	20 - 11	JW1-H1170-11	31 - 2	JW1-K8151-00	26 - 7	90105-05005	22 - 2	90201-080E4	8 - 6	90501-264A9	4 - 5
JW8-G6284-00	20 - 6	JN6-H1171-11	31 - 8	JW1-K8164-00	24 - 2	90105-06042	29 - 3	90201-10057	2 - 5	90502-10013	14 - 37
JW1-G6300-02	21 - 1	JW1-H1173-00	31 - 10	JW1-K8174-00	24 - 6	90105-06831	12 - 10		9 - 19	90506-09800	17 - 24
JW1-G6320-00	21 - 21	JN3-H11661-00	30 - 28	JW1-K818A-00	27 - 2		22 - 19	90201-128S4	11 - 11	90508-16460	17 - 56
JW1-G6328-00	21 - 24	JW1-H1950-00	32 - 11	JW1-K818B-00	27 - 5		32 - 14	90201-18620	31 - 16	90508-40678	18 - 4
JW1-G6336-00	21 - 46	JW1-H2115-01	32 - 5	JW1-K8191-00	27 - 6		32 - 42	90201-198S7	22 - 13	90560-05001	17 - 57
JW1-G633H-00	21 - 51	JW1-H2116-02	32 - 6	JW1-K8192-00	27 - 7	90105-06862	6 - 16	90201-208S8	22 - 12	90560-08251	15 - 8
JW1-G633J-00	21 - 29	JW1-H2117-00	32 - 7	JW1-K8214-00	33 - 12	90105-06870	25 - 4	90208-14801	13 - 28		16 - 6
	21 - 38	JW1-H2133-00	32 - 1	JW1-K8233-11	25 - 16		32 - 16	90209-08018	20 - 13	91402-20012	22 - 9
JW1-G6344-00	21 - 52	J55-H2136-00	32 - 2	JW1-K8237-10	26 - 5	90105-08002	20 - 14	90267-63047	25 - 2	91402-25020	13 - 8
JW1-G6345-00	21 - 50	JR1-H2150-00	32 - 10	JW1-K8245-00	25 - 19	90105-08867	32 - 27	90269-06804	25 - 20		14 - 10
JW1-G6348-00	21 - 22	JN6-H2377-00	26 - 8	JW1-K8261-00	25 - 21	90105-088B0	24 - 3		26 - 2	91702-05010	6 - 5
JW1-G6356-00	21 - 23	JW1-H2386-10	32 - 41	JW1-K8262-00	25 - 24	90105-10064	13 - 9		27 - 4		6 - 8
JW1-G6361-00	21 - 26	JW1-H2510-00	32 - 32	JW1-K8270-00	27 - 1	90105-10267	13 - 14	90269-07001	25 - 10	91702-05014	17 - 54
JW1-G6362-00	21 - 27	JU2-H2510-20	32 - 44	JW1-K8273-00	25 - 18		13 - 21	90269-08813	5 - 10	91702-06014	22 - 7
JW1-G6371-01	22 - 4	JU2-H2511-00	32 - 34	JW1-K8297-01	26 - 9	90105-10728	13 - 6		26 - 3	91702-10028	17 - 2
JN3-G6372-00	22 - 18	JU6-H2569-00	32 - 35	JW1-K8297-10	26 - 9	90105-10847	14 - 29	90269-09003	25 - 17	92902-04100	7 - 21

NUMERICAL INDEX

PART NO.	REF. NO.	PART NO.	REF. NO.	PART NO.	REF. NO.	PART NO.	REF. NO.	PART NO.	REF. NO.	PART NO.	REF. NO.
92902-04100	22 - 16	95602-14100	13 - 29								
92902-04600	22 - 17	95612-12100	13 - 19								
92902-05600	32 - 19	95622-08618	2 - 7								
92902-06200	32 - 3	95702-06500	32 - 4								
92902-06600	22 - 8	95702-08500	31 - 5								
92902-08100	8 - 8	95707-08500	6 - 2								
92902-08600	8 - 9	95812-08020	14 - 2								
	14 - 32		17 - 52								
92902-10100	11 - 6	95812-08045	9 - 17								
92902-10200	10 - 2	95812-12030	31 - 1								
92902-10600	11 - 7	95812-12065	11 - 9								
92902-12200	14 - 8	95812-12080	13 - 18								
92907-06100	30 - 10	95817-06012	31 - 21								
	30 - 17	95817-06020	5 - 2								
9290N-06600	30 - 9		5 - 8								
	30 - 16	95817-06025	31 - 13								
	30 - 27	95817-10055	11 - 15								
92990-05100	7 - 3	95822-06012	24 - 4								
9299R-06200	28 - 13		24 - 8								
93102-30083	13 - 27	95822-06030	2 - 14								
93102-35014	9 - 7	95822-08020	31 - 3								
	9 - 14		31 - 9								
93210-15566	31 - 24	97002-08025	8 - 7								
93210-22344	9 - 21	97012-08030	14 - 31								
93210-398D6	6 - 15	97012-10020	11 - 5								
93306-005Y3	13 - 25	97012-10050	9 - 18								
93306-20201	9 - 8	97012-10070	2 - 4								
	9 - 15	9708R-06020	28 - 9								
93306-204X0	13 - 24	97702-40525	14 - 35								
93306-20714	9 - 13	97702-60420	5 - 4								
93306-30709	9 - 6	98502-04016	22 - 15								
93450-21053	3 - 5	98502-05010	15 - 23								
94702-00343	2 - 8	98502-05025	32 - 18								
94702-00348	2 - 8	98507-04010	7 - 20								
95302-06600	31 - 7	98507-05008	7 - 2								
95302-18600	31 - 15	9850N-04010	30 - 23								
9530N-06600	30 - 8	9850N-05016	30 - 22								
	30 - 15	9850N-05018	30 - 31								
95380-06600	18 - 2	99001-07600	6 - 7								
95602-06200	18 - 6	99009-19400	22 - 14								
95602-08200	8 - 5	99530-08016	9 - 11								
95602-08710	2 - 17	99530-14016	2 - 6								
95602-10200	10 - 1										
	11 - 16										
	13 - 7										
	24 - 7										
95602-12200	11 - 10										
	14 - 9										