



# PARTS CATALOGUE

## YDRAX5F (JC23) CANADA, EUROPE, OTHERS

---



1PJC2-100E1

( )

YDRAX5F  
PARTS CATALOGUE  
©2014 by Yamaha Motor Co., Ltd.  
1st edition, April 2014  
All rights reserved.  
Any reprinting or unauthorized use  
without the written permission of  
Yamaha Motor Co., Ltd.  
is expressly prohibited.  
Printed in Japan.

# FOREWORD

This Parts Catalogue is related to the parts for the model(s) on the cover page. When you are ordering replacement parts, please refer to this Parts Catalogue and quote both part numbers and part names correctly.

1. Modifications or additions which have been made after the issue of the Parts Catalogue will be announced in the Parts News.

It is advisable that you make the necessary corrections to the Parts Catalogue according to the Parts News.

2. Abbreviations

The following abbreviations are used in this Parts Catalogue.

“UR” Use specified parts number.

“UN” Use as many as needed.

“AP” Alternate Parts

“LM” Locally Made (Parts need to be ordered locally)

“F#” Frame No. (Applicable machine No.)

“O/S” Over Size

3. The number of components for assembly

- Parts, which are to be supplied in an assembly, are listed with a dot (.) in front of the part name as shown below.
- The numeral appearing to the right of each component part indicates the quantity of parts for each assembly unit.

PART NO.	DESCRIPTION	Q'TY	REMARKS
2F5-83310-60	FRONT FLASHER LIGHT ASSY	2	
115-83311-60	.BULB (6V-18W)	1	

4. Applicable colours of graphics are represented in the “REMARKS” as shown below.

PART NO.	DESCRIPTION	Q'TY	REMARKS
2N4-24110-00-X5	FUEL TANK COMP.	2	MXR
3J1-24240-10	.GRAPHIC, FUEL TANK	1	FOR MXR

5. Note that the illustrations for reference in finding parts numbers are not to be used for assembling. When assembling, please use the applicable service manual.

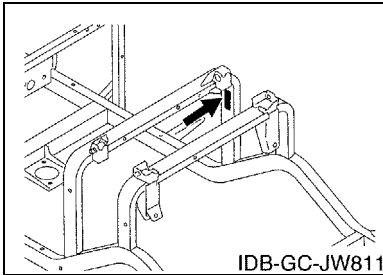
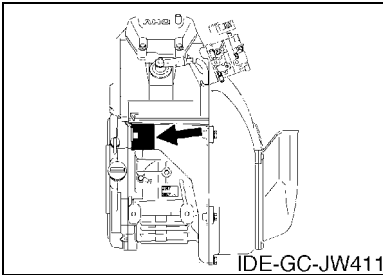
6. The asterisk (\*) before a reference number indicates modified items after the first edition.

# FOREWORD

7. Applicable Serial No.

Engine Serial No.

Frame Serial No.



10. Applicable Starting Serial No.

Frame Serial No.

Serial No.	Name Of Q'ty Column	Model Code
JC2-200101	JC23	JC23

8. Applicable Colour Code (The (\*) mark shows Model colour.)

Abbreviation	Colour Name	Colour Code
DPBST(*)	DARK PURPLISH BLUE SOLID T	1220
HTR(*)	HEAT RED	00EY
LNMP(*)	LIGHT GRAY METALLIC P	0925
LN YM8(*)	LIGHT GRAYISH YELLOW ME 8	1047
NYS4(*)	GRAYISH YELLOW SOLID 4	1459
VDGS1(*)	VERY DARK GREEN SOLID 1	0614
WS7(*)	WHITE SOLID 7	1045

9. Quantity Column Information

Column No.	Name Of Q'ty Column	Destination
1	JC23	CANADA, EUROPE, OTHERS

# CONTENTS

ENGINE 1 .....	1
----------------	---

## ENGINE

CYLINDER HEAD .....	2
CRANKSHAFT & PISTON .....	3
CAMSHAFT & VALVE .....	4
AIR SHROUD & FAN .....	5
INTAKE 1 .....	6
INTAKE 2 .....	7
EXHAUST .....	8
CRANKCASE .....	9

## BODY

ENGINE BRACKET .....	10
REAR ARM & SUSPENSION .....	11
FRAME .....	12
FRONT SUSPENSION .....	13
STEERING .....	15
FUEL TANK .....	17
PEDAL WIRE .....	18
PEDAL ASSEMBLY .....	19
BRAKE .....	21
GOVERNOR .....	22

## DRIVE

PRIMARY SHEAVE .....	23
SECONDARY SHEAVE .....	24
TRANSAXLE .....	25
SHIFTER & CABLES .....	28
WHEEL .....	29
BUMPER .....	30
BODY .....	31
BODY 2 .....	33
BODY FITTING .....	34
CARRIER .....	35
SEAT .....	36

## ELECTRICAL

STARTING MOTOR .....	37
ELECTRICAL 1 .....	39
ELECTRICAL 2 .....	41

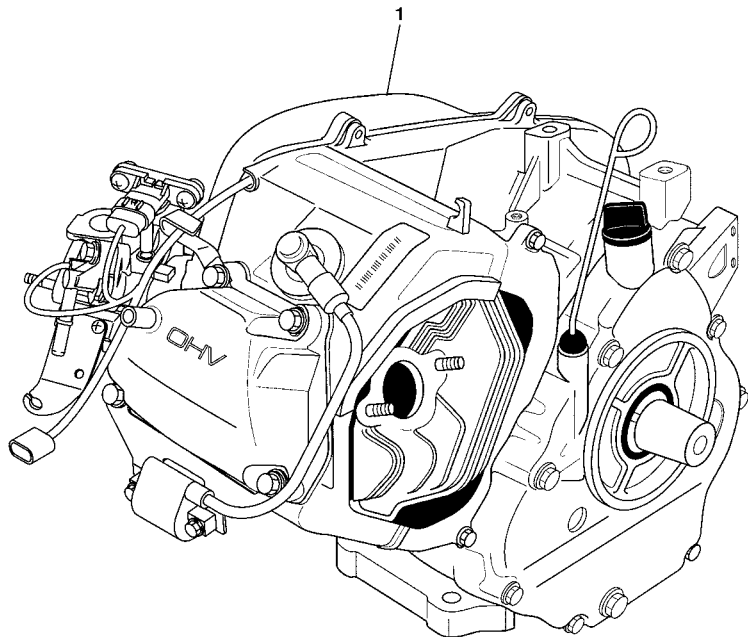
ALTERNATE FOR WINDSHIELD .....	43
--------------------------------	----

ALTERNATE FOR SUN ROOF .....	44
------------------------------	----

## INDEX

NUMERICAL INDEX .....	45
-----------------------	----

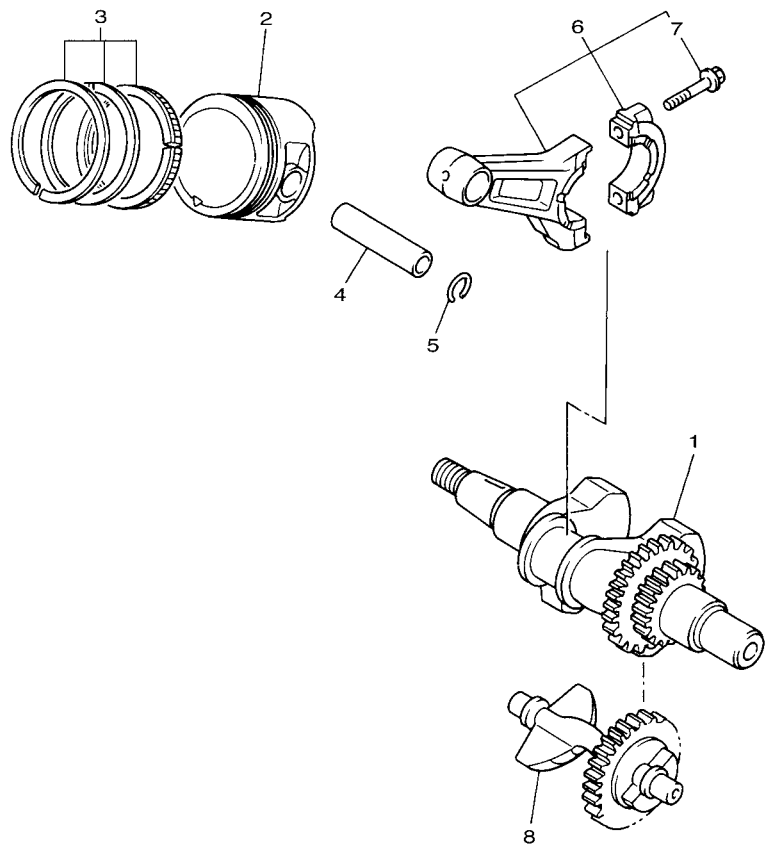
FIG. 1 ENGINE 1



REF. NO.	PART NO.	DESCRIPTION	JC23				REMARKS
1	JC0-19001-70	ENGINE ASSEMBLY	1				

  
 JC04110-L010





JN7010-6021

FIG. 3 CRANKSHAFT & PISTON

REF. NO.	PART NO.	DESCRIPTION	JC23				REMARKS
1	JN6-11400-00	CRANKSHAFT ASSY	1				
2	JR7-11631-00-A0	PISTON (STD)	1				
	JR7-11635-00	PISTON (0.25MM O/S)	1				AP
	JR7-11636-00	PISTON (0.50MM O/S)	1				AP
3	JR7-11610-00	PISTON RING SET (STD)	1				
	JR7-11610-10	PISTON RING SET (0.25MM O/S)	1				AP
	JR7-11610-20	PISTON RING SET (0.50MM O/S)	1				AP
4	583-11633-00	PIN, PISTON	1				
5	93450-21053	CIRCLIP	2				
6	JN6-11650-10	CONNECTING ROD ASSY	1				
7	JN6-11654-10	BOLT, CONNECTING ROD	2				
8	JN6-11454-10	WEIGHT 1	1				



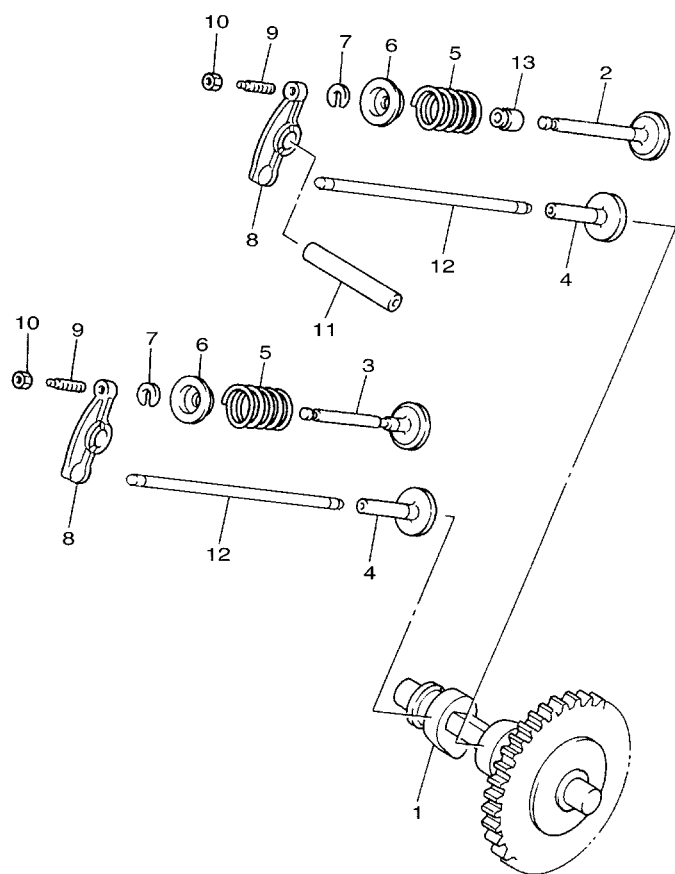
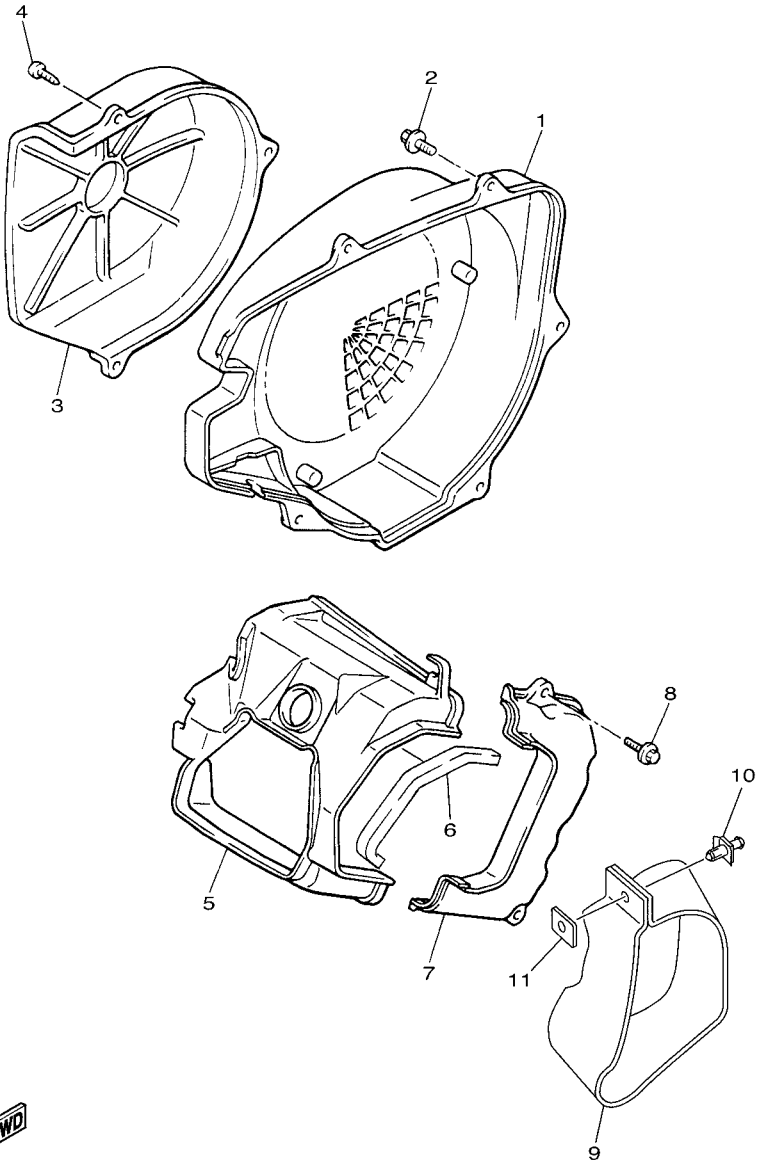


FIG. 4 CAMSHAFT & VALVE

REF. NO.	PART NO.	DESCRIPTION	JC23				REMARKS
1	JR7-12170-00	CAMSHAFT ASSY 1	1				
2	JN6-12111-10	VALVE, INTAKE	1				
3	7RH-12121-10	VALVE, EXHAUST	1				
4	JN6-12153-10	LIFTER, VALVE	2				
5	90501-264A9	SPRING, COMPRESSION	2				
6	J38-12117-01	RETAINER, VALVE SPRING	2				
7	J38-12118-00	LOCK, VALVE SPRING RETAINER	2				
8	JN6-12151-10	ARM, VALVE ROCKER	2				
9	22F-12159-10	SCREW, VALVE ADJUSTING	2				
10	90170-05302	NUT	2				
11	J38-12156-20	SHAFT, ROCKER 2	1				
12	JR7-12154-10	ROD, VALVE PUSH	2				
13	4G0-12119-00	SEAL, VALVE STEM	1				



JD13110-K030

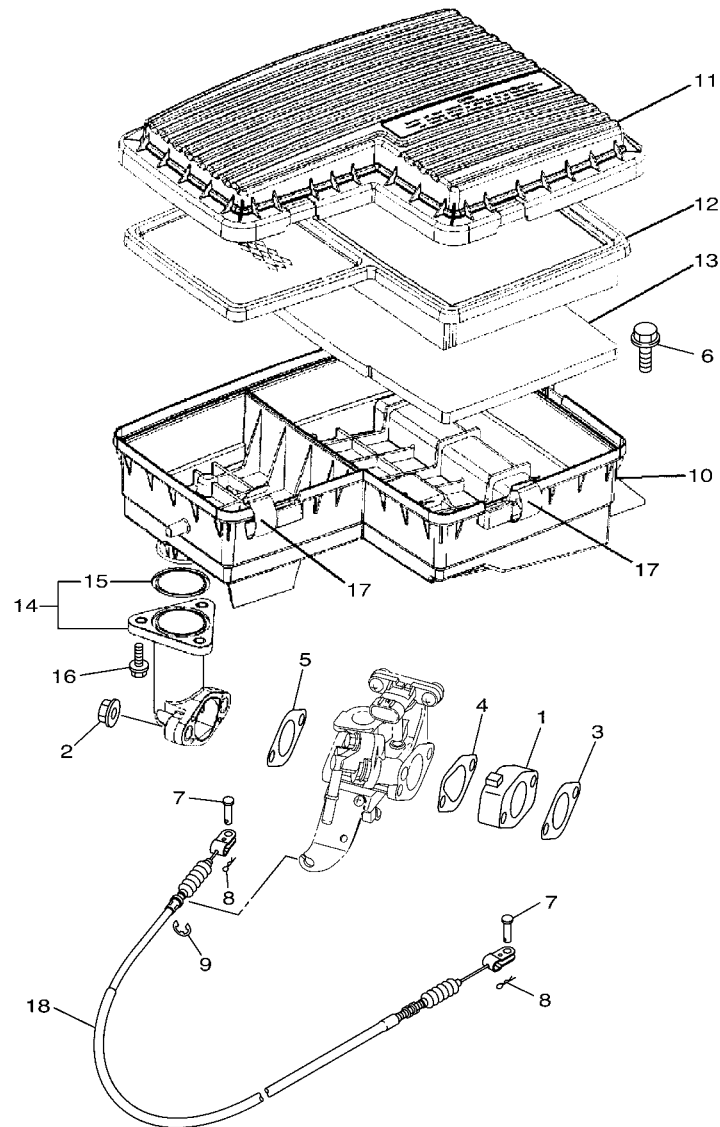


**FIG. 5 AIR SHROUD & FAN**

REF. NO.	PART NO.	DESCRIPTION	JC23				REMARKS
1	JN6-12621-02	CASE, FAN	1				
2	95802-06020	BOLT, FLANGE	4				
3	JN6-12616-00	COVER, FAN CASE	1				
4	97702-60420	SCREW, TAPPING	3				
5	JN6-12651-01	AIR SHROUD, CYLINDER 1	1				
6	JR7-12658-00	DAMPER, AIR SHROUD 1	1				
7	JN6-12652-00	AIR SHROUD, CYLINDER 2	1				
8	95802-06020	BOLT, FLANGE	2				
9	JX4-12691-00	DUCT 1	1				
10	90269-10001	RIVET	1				
11	JR7-12634-00	PLATE 2	1				



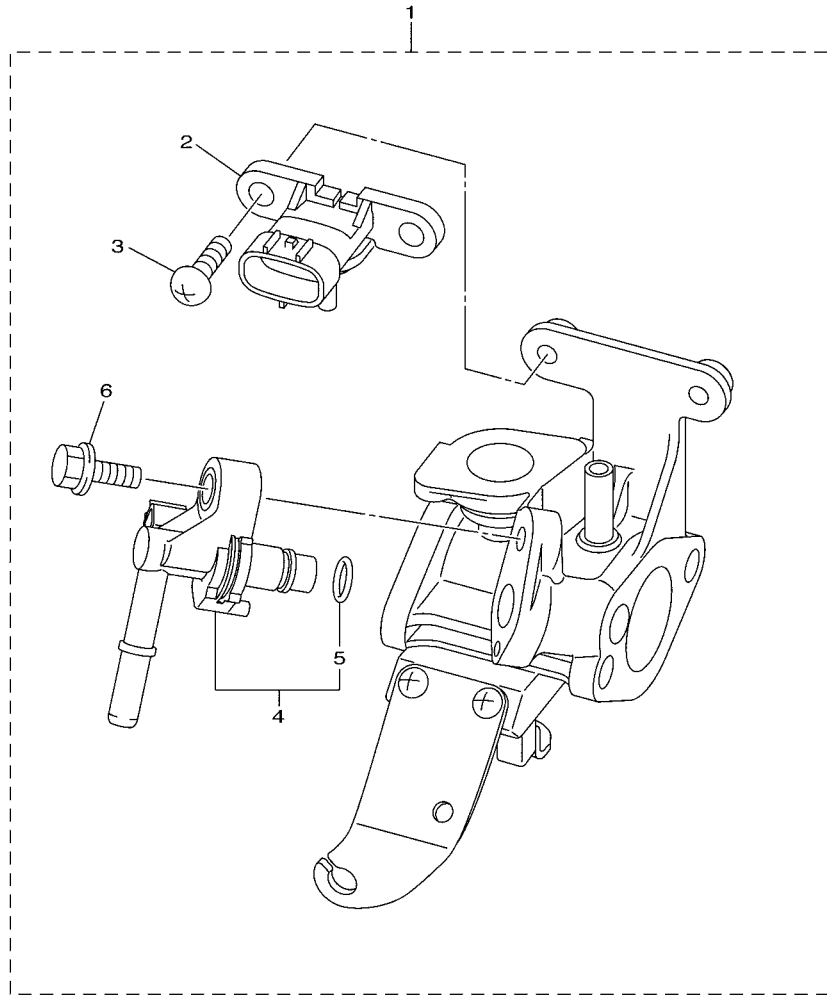
JC23100-P050



JC04110-L060

FIG. 6 INTAKE 1

REF. NO.	PART NO.	DESCRIPTION	JC23				REMARKS
1	JC0-13595-00	JOINT	1				
2	95702-08500	NUT, FLANGE	2				
3	JN6-13567-00	GASKET	1				
4	JC0-13567-00	GASKET	1				
5	JN6-13567-00	GASKET	1				
6	90119-06884	BOLT, WITH WASHER	2				
7	91702-05010	PIN, CLEVIS	2				
8	90468-10049	CLIP	2				
9	99001-07600	CIRCLIP	1				
10	JU0-E4411-00	CASE, AIR CLEANER 1	1				
11	JU0-E4412-00	CAP, CLEANER CASE 1	1				
12	JU0-E4450-00	ELEMENT ASSY, AIR CLEANER	1				
13	JU0-E445E-00	FILTER 1	1				
14	JU0-E3505-09	JOINT COMP.	1				
15	93210-398D6	.O-RING	1				
16	90105-06862	BOLT, FLANGE	3				
17	5UH-E4424-00	CLIP, CAP FITTING	5				
18	JC0-F6312-10	CABLE, THROTTLE 2	1				

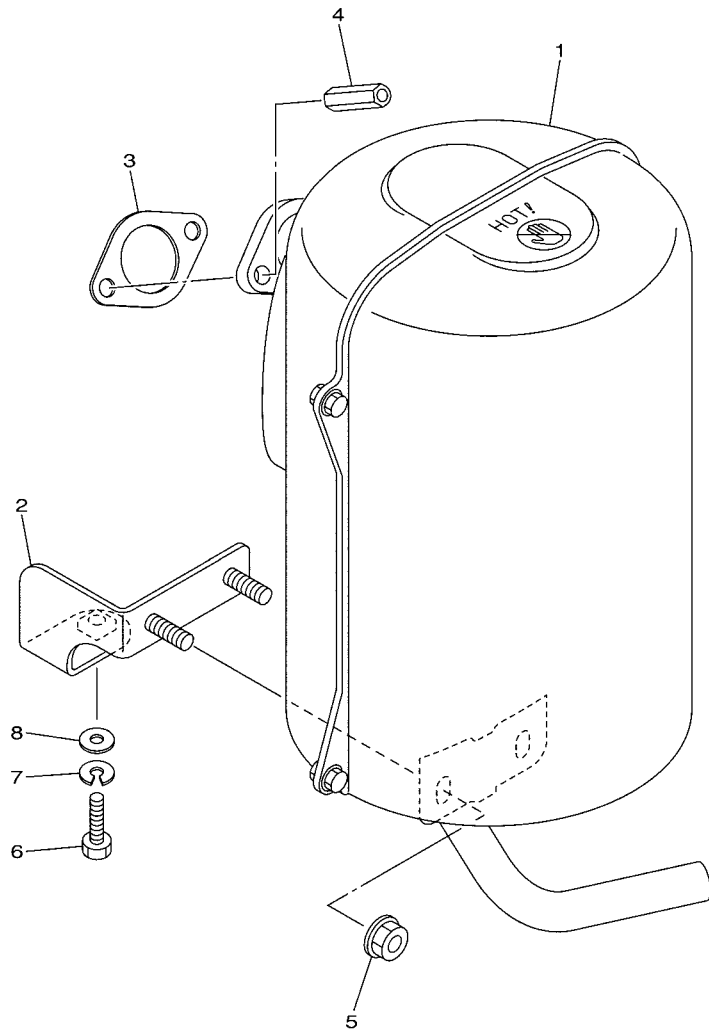


JC04110-L070

FIG. 7 INTAKE 2

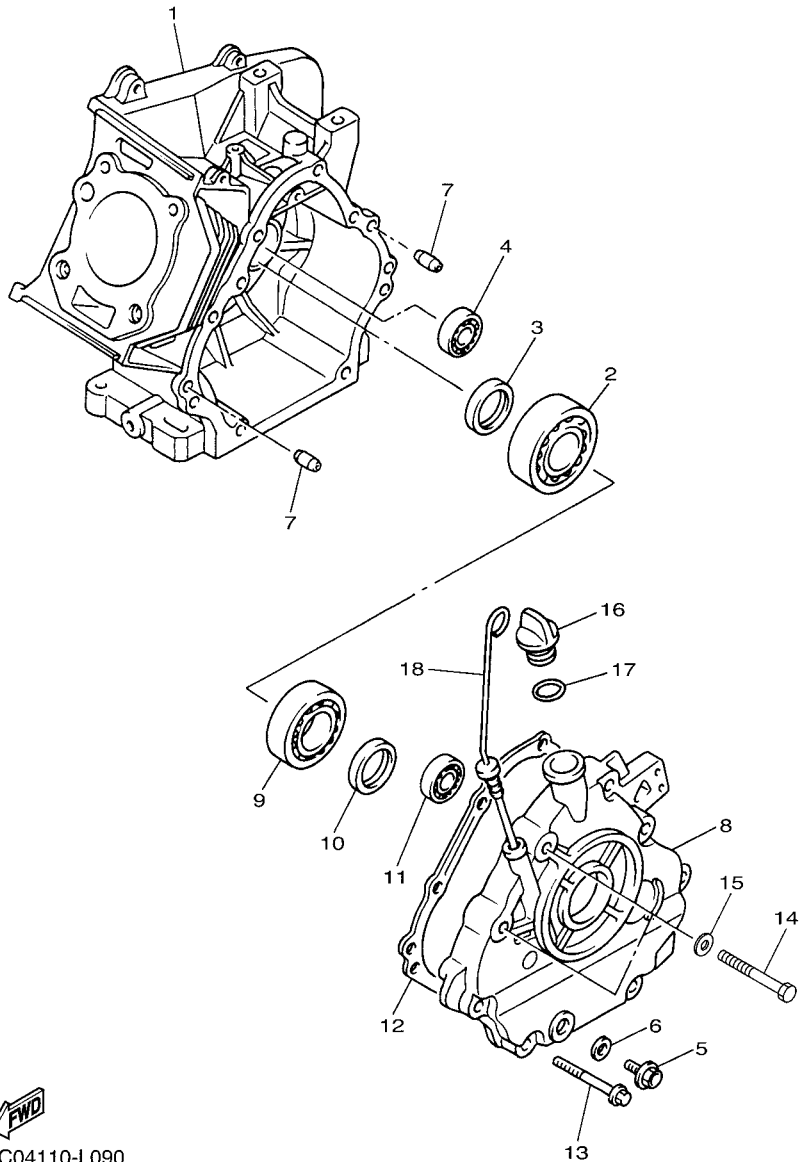
REF. NO.	PART NO.	DESCRIPTION	JC23				REMARKS
1	JC0-13750-00	THROTTLE BODY ASSY	1				
2	1C7-82380-00	.SENSOR, PRESSURE	1				
3	98502-06014	.SCREW, PAN HEAD	2				
4	JC0-13770-00	.INJECTOR ASSY	1				
5	5CA-14147-00	..O-RING	1				
6	95812-06025	.BOLT, FLANGE	1				

FIG. 8 EXHAUST



JC23100-P080

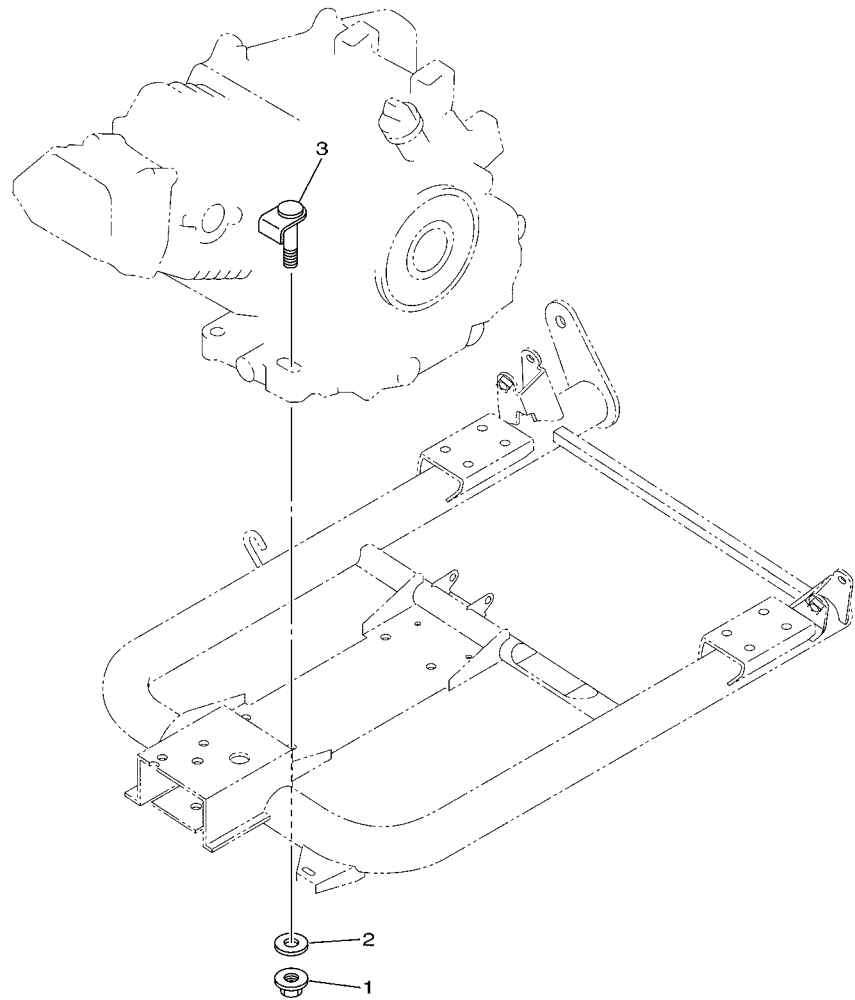
REF. NO.	PART NO.	DESCRIPTION	JC23				REMARKS
1	JW8-E4710-01	MUFFLER ASSY 1	1				
2	JW8-F1436-00	BRKT., MUFF. 2	1				
3	7KY-14613-01	GASKET, EXHAUST 1	1				
4	JW1-E4713-00	NUT, MUFFLER JOINT	2				
5	95602-08200	NUT, SELF-LOCKING	2				
6	97002-08025	BOLT	1				
7	92902-08100	WASHER, SPRING	1				
8	92902-08600	WASHER, PLATE	1				



JC04110-L090

FIG. 9 CRANKCASE

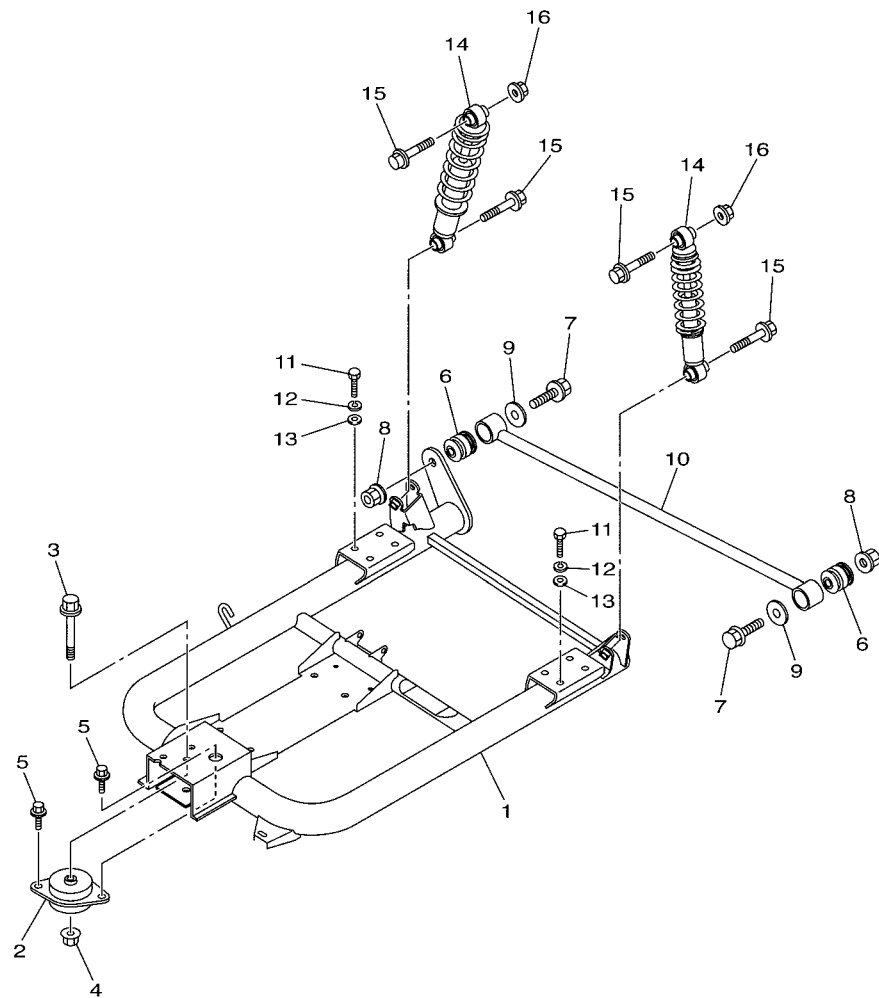
REF. NO.	PART NO.	DESCRIPTION	JC23				REMARKS
1	JC0-15111-00	CRANKCASE 1	1				
2	93306-30709	BEARING	1				
3	93102-35014	OIL SEAL	1				
4	93306-20201	BEARING	1				
5	90340-12097	PLUG, STRAIGHT SCREW	1				
6	812-11198-00	GASKET	1				
7	99530-08016	PIN, DOWEL	2				
8	JN6-15411-01	COVER, CRANKCASE 1	1				
9	93306-20714	BEARING	1				
10	93102-35014	OIL SEAL	1				
11	93306-20201	BEARING	1				
12	JY2-15451-00	GASKET, CRANKCASE COVER 1	1				
13	95812-08045	BOLT, FLANGE	6				
14	97012-10050	BOLT	2				
15	90201-10057	WASHER, PLATE	2				
16	796-15363-01	PLUG, OIL	1				
17	93210-22344	O-RING	1				
18	J38-15361-00	GAUGE, LEVEL	1				



JC23100-P100

**FIG. 10 ENGINE BRACKET**

REF. NO.	PART NO.	DESCRIPTION	JC23			REMARKS
1	95602-10200	NUT, U FLANGE	4			
2	92902-10200	WASHER	4			
3	JT0-21481-00	BOLT, ENGINE MOUNTING 1	4			
-----						
-----						
-----						
-----						
-----						
-----						
-----						
-----						
-----						
-----						
-----						
-----						
-----						



JC23100-P110

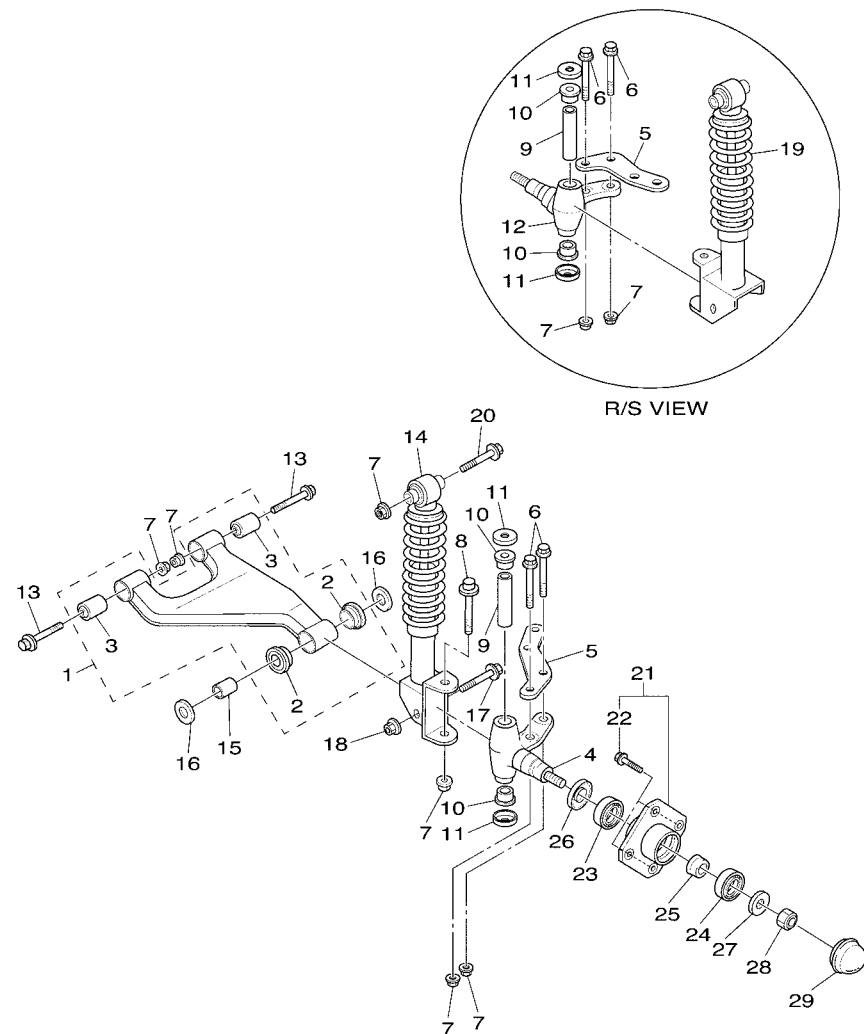
FIG. 11 REAR ARM & SUSPENSION

REF. NO.	PART NO.	DESCRIPTION	JC23				REMARKS
1	JW8-F2110-11	REAR ARM COMP.	1				
2	JN6-F2123-10	BUSH 1	1				
3	90105-13800	BOLT, FLANGE	1				
4	90179-13800	NUT	1				
5	90119-10044	BOLT, WITH WASHER	2				
6	JN6-F2124-10	BUSH 2	2				
7	95812-12065	BOLT, FLANGE	2				
8	95602-12200	NUT, SELF-LOCKING	2				
9	90201-128S4	WASHER, PLATE	2				
10	JW1-F217G-10	ROD, CONNECTING 2	1				
11	97012-10020	BOLT	8				
12	92902-10100	WASHER, SPRING	8				
13	92902-10600	WASHER, PLATE	8				
14	JW1-F2210-10	SHOCK ABSORBER ASSY, REAR	2				
15	95812-10055	BOLT, FLANGE	4				
16	95602-10200	NUT, U FLANGE	2				





**FIG. 13 FRONT SUSPENSION**

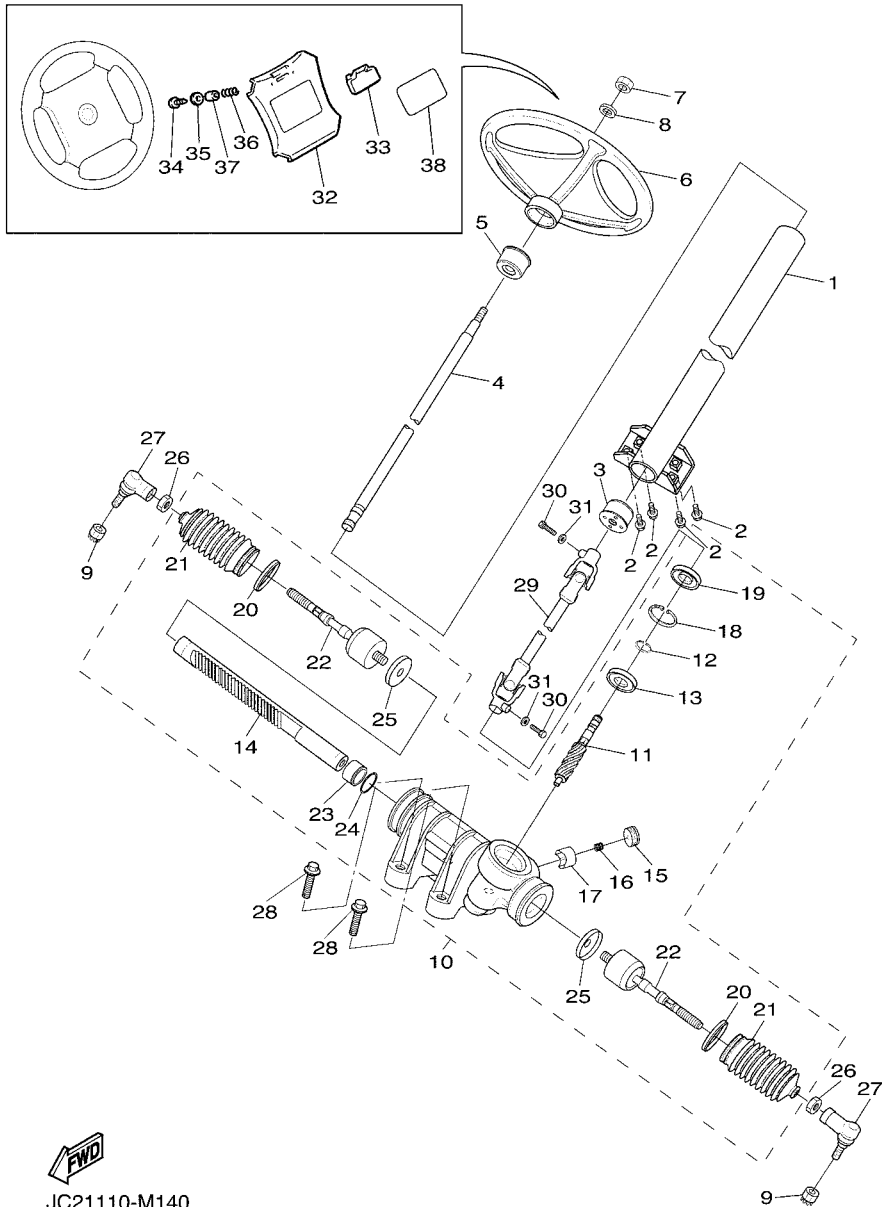


JC06110-N130

REF. NO.	PART NO.	DESCRIPTION	JC23				REMARKS
1	JU0-F3570-20	FRONT LOWER ARM COMP.	2				
2	90381-18001	.BUSH, SOLID	2				
3	2HR-23526-00	.BUSH	2				
4	JU0-F3511-10	KNUCKLE, STEERING 1	1				
5	JW1-F3512-00	ARM, KNUCKLE 1	2				
6	90105-10373	BOLT, FLANGE	4				
7	95602-10200	NUT, U FLANGE	12				
8	90105-10219	BOLT, FLANGE	2				
9	2NL-23448-00	SPACER	2				
10	90381-17067	BUSH, SOLID	4				
11	2NL-23517-00	COVER, THRUST 1	4				
12	JU0-F3521-10	KNUCKLE, STEERING 2	1				
13	90105-10267	BOLT, FLANGE	4				
14	JW1-F3350-10	SHOCK ABSORBER ASSY	1				
15	90387-12016	COLLAR	2				
16	401-22128-01	COVER, THRUST 1	4				
17	95812-12080	BOLT, FLANGE	2				
18	95612-12100	NUT, U	2				
19	JW1-F3390-10	SHOCK ABSORBER ASSY 2	1				
20	90105-10267	BOLT, FLANGE	2				
21	JG5-WF511-10	HUB, FRONT	2				
22	90114-12806	.BOLT, SERRATION	4				
23	93306-204X0	BEARING	2				
24	93306-005Y3	BEARING	2				
25	90387-241M7	COLLAR	2				
26	93102-30083	OIL SEAL	2				
27	90208-14801	WASHER, CONICAL SPRING	2				



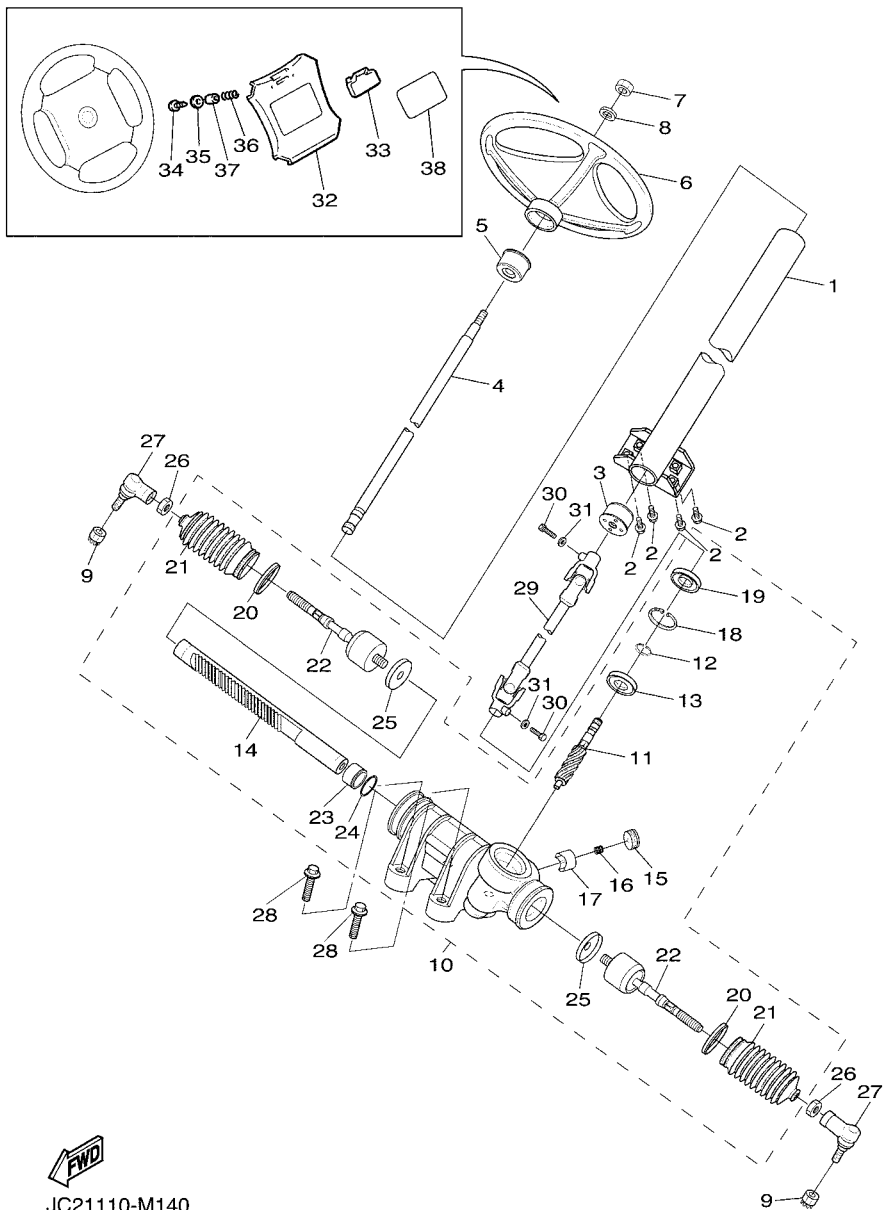
FIG. 14 STEERING



JC21110-M140

REF. NO.	PART NO.	DESCRIPTION	JC23				REMARKS
1	JW1-F3811-02	COLUMN, STEERING	1				
2	95812-08020	BOLT, FLANGE	4				
3	JU0-F3857-11	HOLDER	1				
4	JU0-F3828-10	ROD, STEERING	1				
5	JU0-F3857-11	HOLDER	1				
6	JN3-F3838-00	WHEEL, STEERING	1				
7	90185-12008	NUT, SELF-LOCKING	1				
8	92902-12200	WASHER	1				
9	95602-12200	NUT, SELF-LOCKING	2				
10	JW1-F3400-00	STEERING ASSY	1				
11	JW1-F387A-00	.GEAR,PINION	1				
12	JW1-F3183-00	.CIRCLIP	1				
13	JW1-F3812-00	.BEARING, STEERING	1				
14	JW1-F387E-00	.GEAR, RACK	1				
15	5UG-F387G-00	.COVER, ADJUST	1				
16	5UG-F387K-00	.SPRING, PRESSURE	1				
17	5UG-F387F-00	.PAD, PRESSURE	1				
18	5UG-F387J-00	.RING, STOPPER	1				
19	5UG-F3844-00	.SEAL	1				
20	5UG-F3489-00	.BAND	2				
21	5UG-F3527-00	.SEAL, DUST 1	2				
22	JW1-F3837-00	.ROD, TIE 2	2				
23	JW1-F467K-00	.BUSH, CAP	1				
24	JW1-F3866-00	.CIRCLIP	1				
25	JW1-F3894-00	.WASHER, LOCK 1	2				
26	1P0-F3833-00	NUT 1	2				
27	JW8-23841-01	JOINT, UNIVERSAL 1	2				

FIG. 14 STEERING

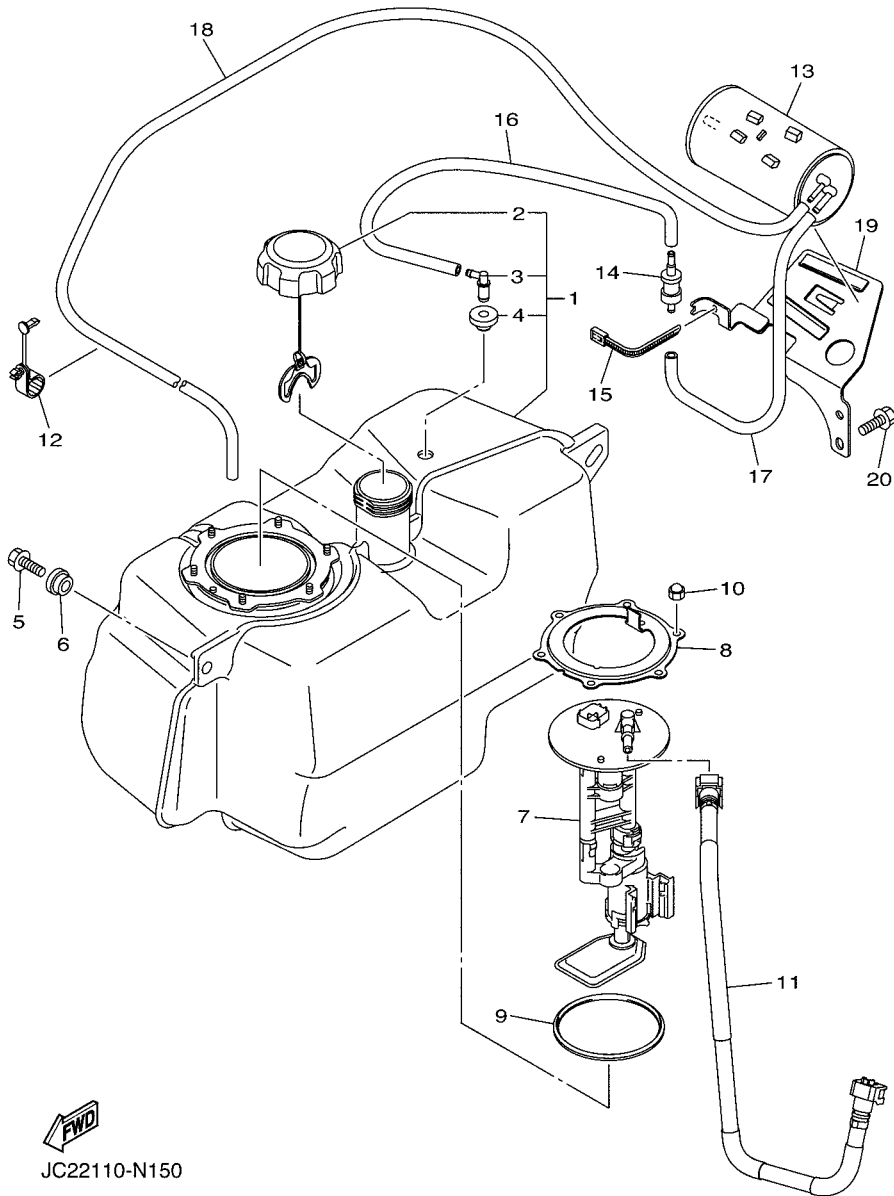


JC21110-M140

REF. NO.	PART NO.	DESCRIPTION	JC23				REMARKS
28	90105-10847	BOLT, FLANGE	4				
29	JW1-F3822-01	JOINT 1	1				
30	97012-08030	BOLT	2				
31	92902-08600	WASHER, PLATE	2				
32	JW8-K8357-00	HOLDER 1	1				
33	JN6-K8358-01	HOLDER 2	1				
34	97702-40525	SCREW, TAPPING	2				
35	90201-04810	WASHER, PLATE	2				
36	90502-10013	SPRING, CONICAL	2				
37	90387-046N7	COLLAR	2				
38	JW8-K7762-00	LABEL, WARNING 2	1				CAN
	JW8-K7762-11	LABEL, WARNING 2 (E, F)	1				EXCEPT CAN
	JW8-K7762-21	LABEL, WARNING 2 (G, S)	1				EXCEPT CAN

FIG. 15 FUEL TANK

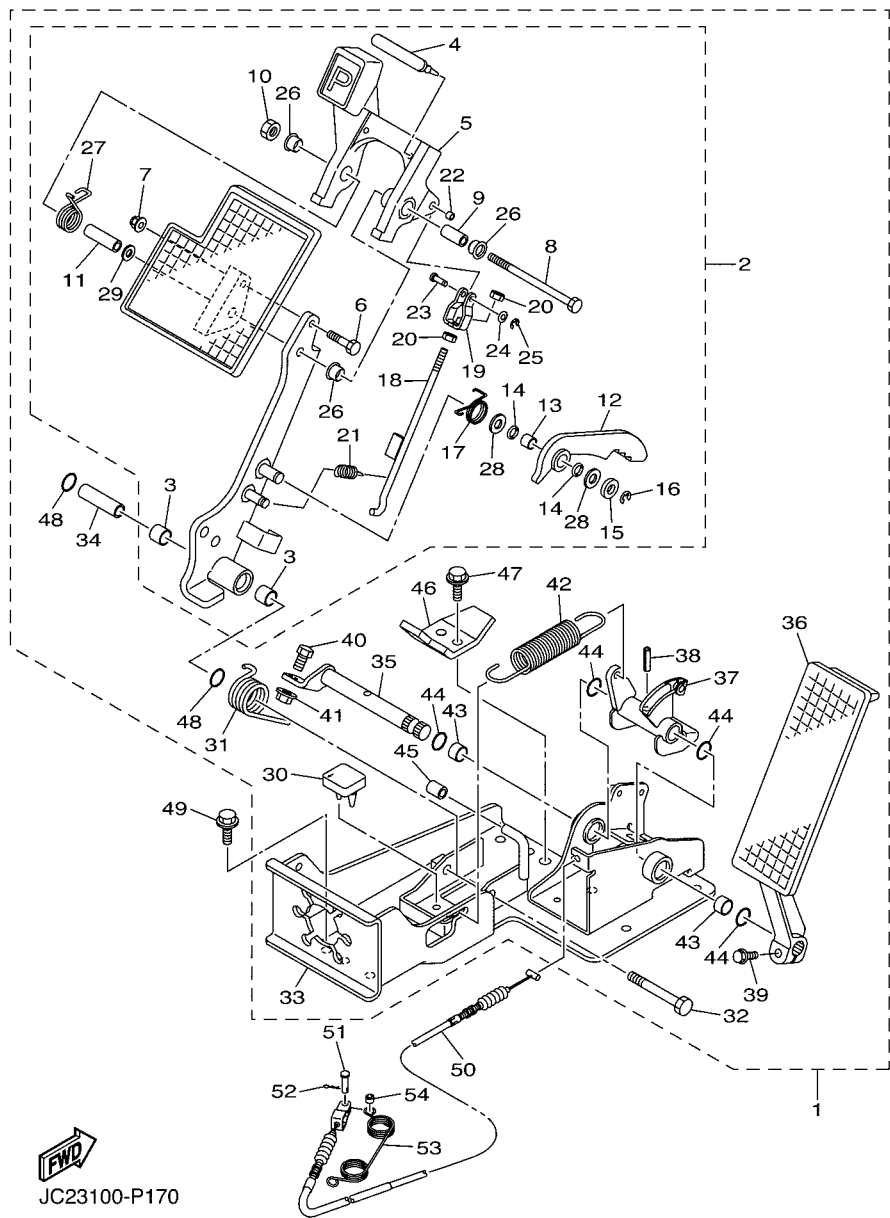
REF. NO.	PART NO.	DESCRIPTION	JC23				REMARKS
1	JC0-F4111-01	TANK, FUEL	1				
2	JW1-F4610-00	.CAP ASSY	1				
3	JW1-F4112-00	.PIPE	1				
4	JU5-F4375-00	.GROMMET	1				
5	JW1-F1738-00	BOLT	2				
6	90560-08251	SPACER	2				
7	JC0-13907-00	FUEL PUMP COMP.	1				
8	18P-24491-00	BRACKET, FUEL PUMP	1				
9	1S3-24486-00	O-RING	1				
10	95302-06800	NUT, CROWN	6				
11	JC0-13971-00	PIPE, FUEL 1	1				
12	JW7-F312H-00	CLAMP	1				
13	7CC-F4170-00	CANISTER ASSY	1				
14	4WM-24180-00	ROLL OVER VALVE ASSY	1				
15	90464-40825	CLAMP	1				
16	JW7-F4314-10	PIPE 4	1				
17	JW1-F4316-00	PIPE 6	1				
18	JW1-F4317-00	PIPE 7	1				
19	JW1-F419A-11	HOLDER	1				
20	JW1-F1738-00	BOLT	2				



JC22110-N150



FIG. 17 PEDAL ASSEMBLY

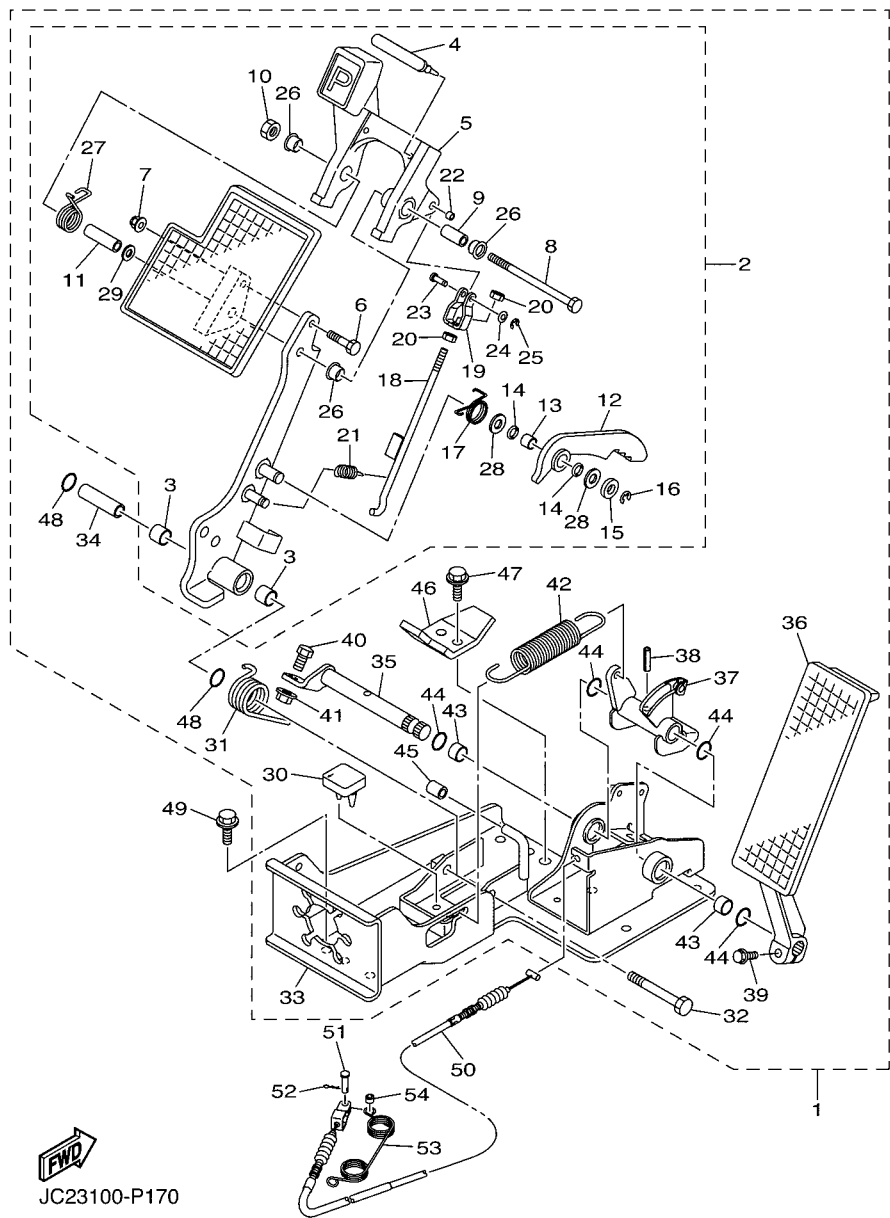


JC23100-P170

REF. NO.	PART NO.	DESCRIPTION	JC23				REMARKS
1	JW8-F7850-30	PEDAL ASSY (L.H)	1				
2	JW9-F7200-21	.PEDAL, BRAKE	1				
3	JW8-F7814-21	..BUSH, PEDAL	2				
4	JW9-F5672-00	..PAD, PARKING PEDAL	1				
5	JW9-F5671-00	..PEDAL, PARKING BRAKE	1				
6	JW8-F7117-00	..BOLT, MAIN STAND	1				
7	JW8-F8363-00	..NUT	1				
8	JW8-F7416-00	..BOLT, FOOTREST	1				
9	JW8-F639N-00	..COLLAR	1				
10	JW8-F7218-00	..NUT	1				
11	JW8-F7113-00	..COLLAR, MAIN STAND	1				
12	JW9-F5666-00	..SECTOR, PARKING BRAKE	1				
13	JW8-F7121-00	..BUSH	1				
14	JW9-F7221-00	..SEAL, SHAFT	2				
15	JW8-F7322-00	..WASHER	1				
16	JW8-F3183-00	..CIRCLIP	1				
17	JW8-F7426-01	..SPRING, RETURN	1				
18	JW9-F7231-10	..ROD, BRAKE	1				
19	JW9-F7232-00	..END, ROD 2	1				
20	JW8-F7318-00	..NUT	2				
21	JW8-F6314-00	..SPRING	1				
22	JW8-F639L-00	..BUSH 1	1				
23	JW9-F7228-00	..PIN, JOINT	1				
24	JW8-F8323-00	..WASHER, LEG SHIELD	1				
25	JW8-F5415-00	..CIRCLIP	1				
26	90386-12800	..BUSH	3				
27	JW8-F7825-01	..SPRING, RETURN	1				



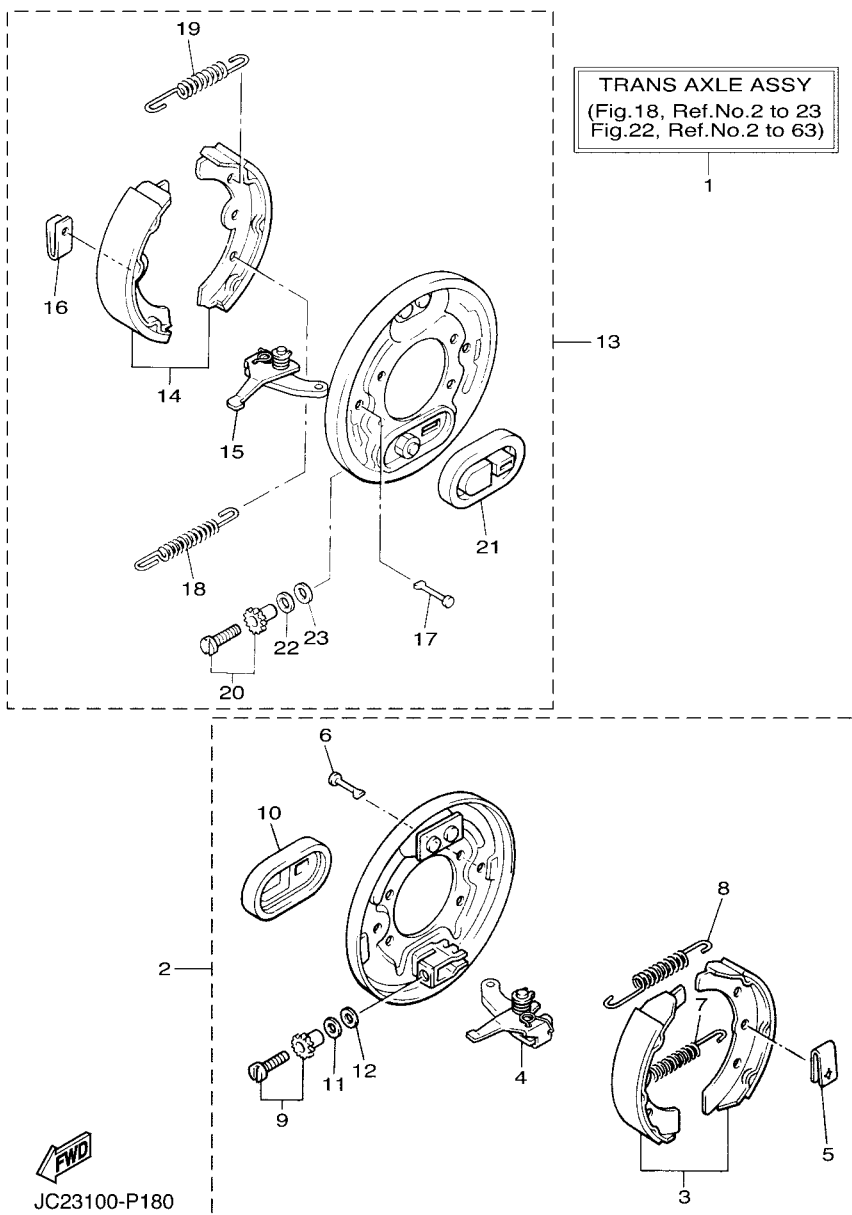
FIG. 17 PEDAL ASSEMBLY



JC23100-P170

REF. NO.	PART NO.	DESCRIPTION	JC23				REMARKS
28	JW8-F7119-00	..WASHER	2				
29	JW8-F8319-00	..WASHER	1				
30	JW9-F7245-10	.PAD, BRAKE PEDAL	1				
31	JW8-F7316-01	.SPRING, SIDE STAND	1				
32	JW8-F7217-00	.BOLT	1				
33	JW8-F7445-30	.PLATE 1	1				
34	JW8-F7213-20	.COLLAR	1				
35	JW8-F7853-10	.SHAFT, PEDAL 1	1				
36	JW9-F7871-10	.PEDAL, ACCELERATOR	1				
37	JW8-F7872-30	.ARM, ACCELERATOR PEDAL	1				
38	JW8-F7438-00	.PIN, CLEVIS	1				
39	JW8-F7434-00	.BOLT	1				
40	JW8-F7317-00	.BOLT	1				
41	JW8-F7118-00	.NUT	1				
42	JW8-F815H-01	.SPRING	1				
43	JW8-F7814-21	.BUSH, PEDAL	2				
44	JW8-F4486-00	.O-RING	4				
45	JW9-F5673-00	.DAMPER, BRAKE	1				
46	JW9-F7246-20	.NAIL, BRAKE	1				
47	JW8-F8331-00	.BOLT, LEG SHIELD	2				
48	JW8-F4486-00	.O-RING	2				
49	95812-08020	BOLT, FLANGE	6				
50	JW8-F6311-10	CABLE, THROTTLE 1	1				
51	91702-05014	PIN, CLEVIS	1				
52	90468-10050	CLIP	1				
53	90508-16460	SPRING, TORSION	1				
54	90560-05001	SPACER	1				

**FIG. 18 BRAKE**



REF. NO.	PART NO.	DESCRIPTION	JC23				REMARKS
1	JW8-G6300-10	TRANS AXLE ASSY	1				
2	JW8-F7290-00	..BACKING PLATE ASSY 2	1				
3	JN9-W2536-00	..BRAKE SHOE SET	1				
4	J38-27205-00	..LEVER ASSY 2	1				
5	JW8-F7281-00	..SPRING, SHOE CLAMP	2				
6	J10-27282-00	..PIN, SHOE HOLD DOWN	2				
7	90506-20281	..SPRING, TENSION	1				
8	90506-14001	..SPRING, TENSION	1				
9	J55-27260-00	..ADJUSTER ASSY	1				
10	JW8-F7286-00	..COVER, DUST	1				
11	90201-121H9	..WASHER, PLATE	1				
12	90201-121H8	..WASHER, PLATE	1				
13	JW8-F7280-00	..BACKING PLATE ASSY 1	1				
14	JN9-W2536-00	..BRAKE SHOE SET	1				
15	J38-27204-00	..LEVER ASSY 1	1				
16	JW8-F7281-00	..SPRING, SHOE CLAMP	2				
17	J10-27282-00	..PIN, SHOE HOLD DOWN	2				
18	90506-20281	..SPRING, TENSION	1				
19	90506-14001	..SPRING, TENSION	1				
20	J55-27270-00	..ADJUSTER ASSY	1				
21	JW8-F7286-00	..COVER, DUST	1				
22	90201-121H9	..WASHER, PLATE	1				
23	90201-121H8	..WASHER, PLATE	1				

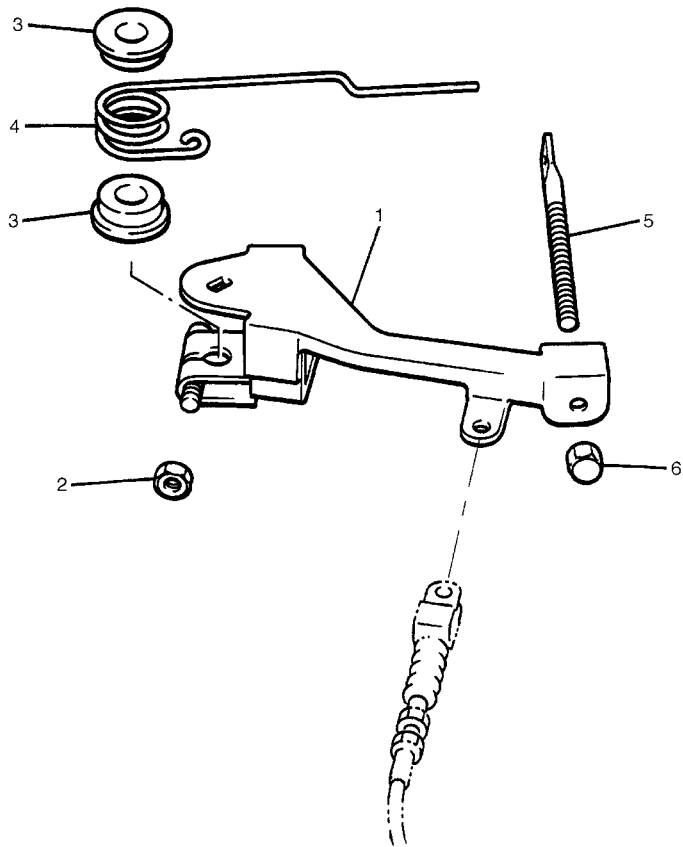


FIG. 19 GOVERNOR

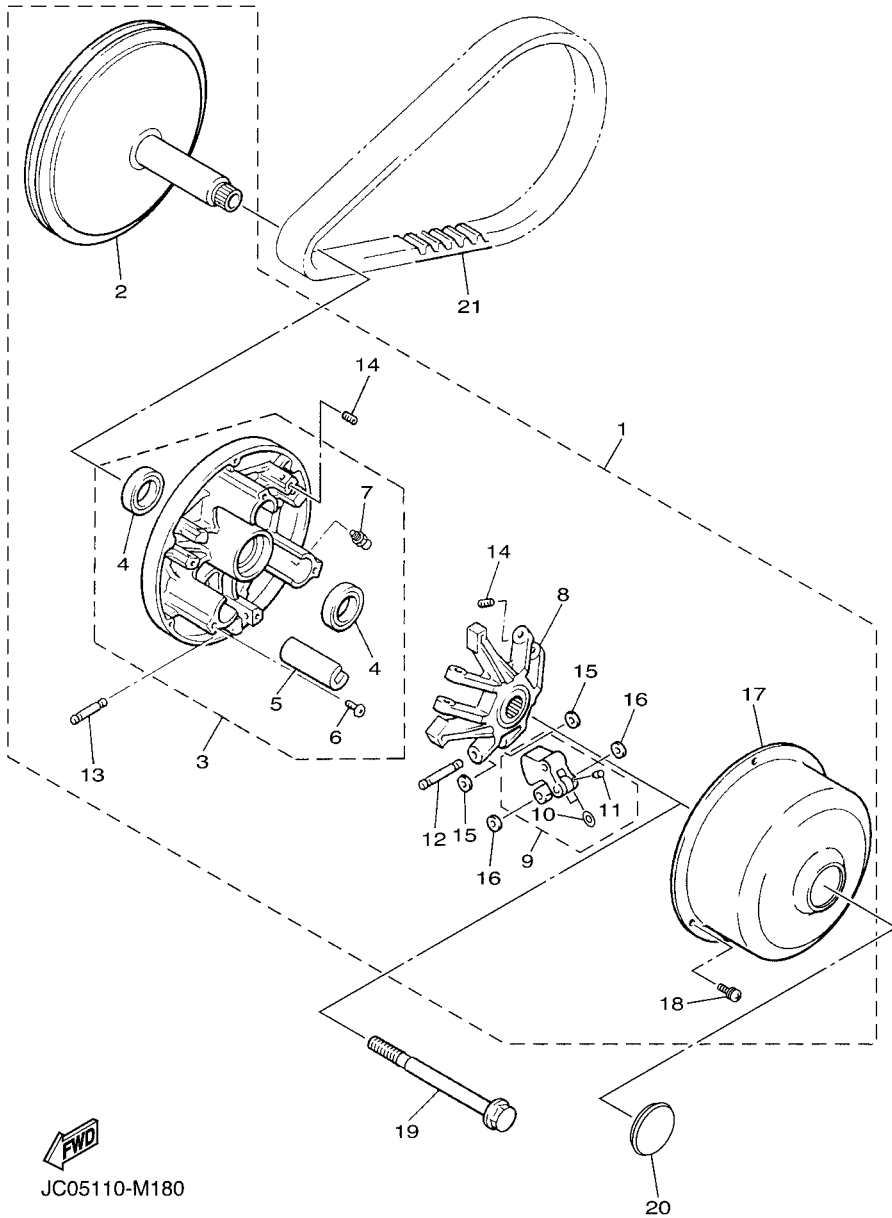
REF. NO.	PART NO.	DESCRIPTION	JC23				REMARKS
1	J38-27951-00	LEVER, SPEED LIMITER	1				
2	95380-06600	NUT, HEXAGON	1				
3	90386-08141	BUSH	2				
4	90508-40678	SPRING, TORSION	1				
5	J38-27959-00	SCREW, ADJUSTING	1				
6	95602-06200	NUT, SELF-LOCKING	1				



JT71010-B190

**FIG. 20 PRIMARY SHEAVE**

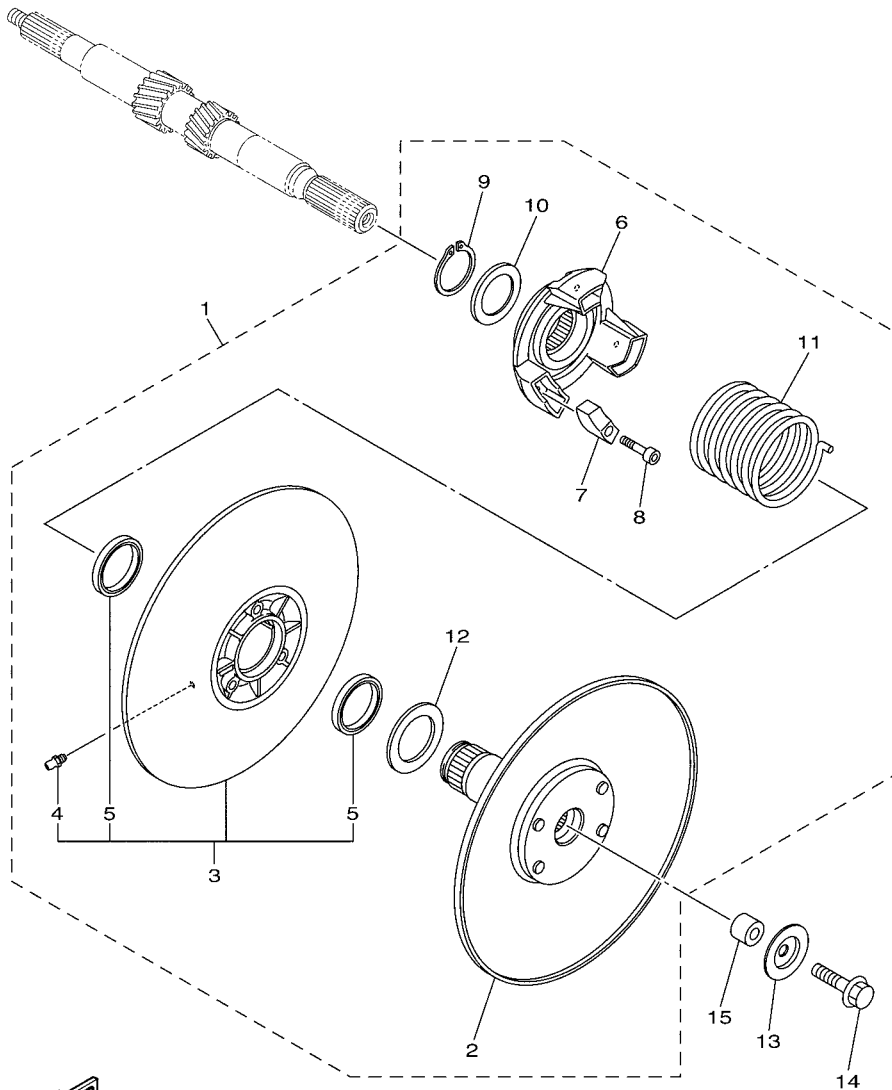
REF. NO.	PART NO.	DESCRIPTION	JC23				REMARKS
1	JW8-G6201-22	PRIMARY CLUTCH ASSY	1				
2	JW8-G6210-00	.PRIMARY FIXED SHEAVE COMP.	1				
3	JW8-G6220-22	.PRIMARY SLIDING SHEAVE COMP.	1				
4	JW8-G624A-00	..OIL SEAL 1	2				
5	JW8-G6253-00	..SLIDER	3				
6	JW8-G4189-00	..SCREW	3				
7	JW8-F135J-00	..NIPPLE	1				
8	JW8-G6251-21	.SPIDER	1				
9	JW8-G6205-21	.WEIGHT LINK ASSY	3				
10	JW8-G5618-00	..WASHER, 1	2				
11	90113-04803	..BOLT, SET	1				
12	JW8-G6236-20	.PIN, WEIGHT	3				
13	JW8-G6237-20	.PIN, WEIGHT 2	3				
14	90113-04803	.BOLT, SET	6				
15	JW8-G5618-00	.WASHER, 1	6				
16	JW8-G5621-00	.WASHER, 2	6				
17	JW8-G6231-21	.CAP	1				
18	JW8-G5282-00	.SCREW	3				
19	JW8-G6249-00	BOLT	1				
20	JW8-G7339-00	PLUG	1				
21	J55-G6241-00	V-BELT	1				



JC05110-M180

**FIG. 21 SECONDARY SHEAVE**

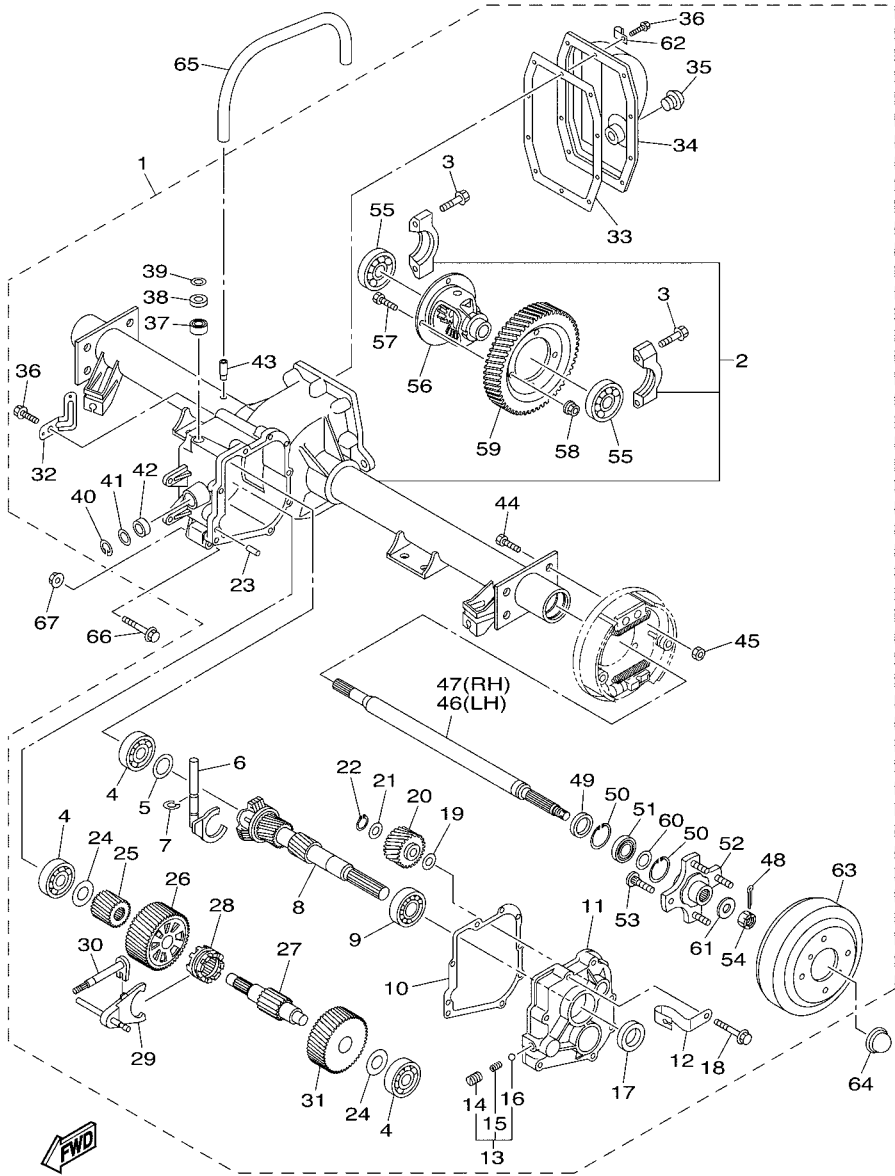
REF. NO.	PART NO.	DESCRIPTION	JC23				REMARKS
1	JW8-G6202-22	SECONDARY SHEAVE ASSY	1				
2	JW8-G6260-22	.SECONDARY FIXED SHEAVE COMP.	1				
3	JW8-G6270-21	.SECONDARY SLIDING SHEAVE COMP.	1				
4	JW8-F135J-00	..NIPPLE	1				
5	JW8-G624B-00	..OIL SEAL 2	2				
6	JW8-G6284-00	..SEAT, SECONDARY SPRING	1				
7	JW8-E7688-00	.SHOE, RAMP	3				
8	JW8-G6159-00	.BOLT 3	3				
9	JW8-G5531-00	.CLIP, DRIVE SHAFT	1				
10	JW8-G6374-00	.COLLAR, SPRING	1				
11	JW8-G6275-10	.SPRING, CLUTCH 1	1				
12	JW8-G5677-00	.WASHER	1				
13	90209-08018	WASHER	1				
14	90105-08002	BOLT, FLANGE	1				
15	JW8-G5697-20	COLLAR	1				



JC05110-M190

**FIG. 22 TRANSAXLE**

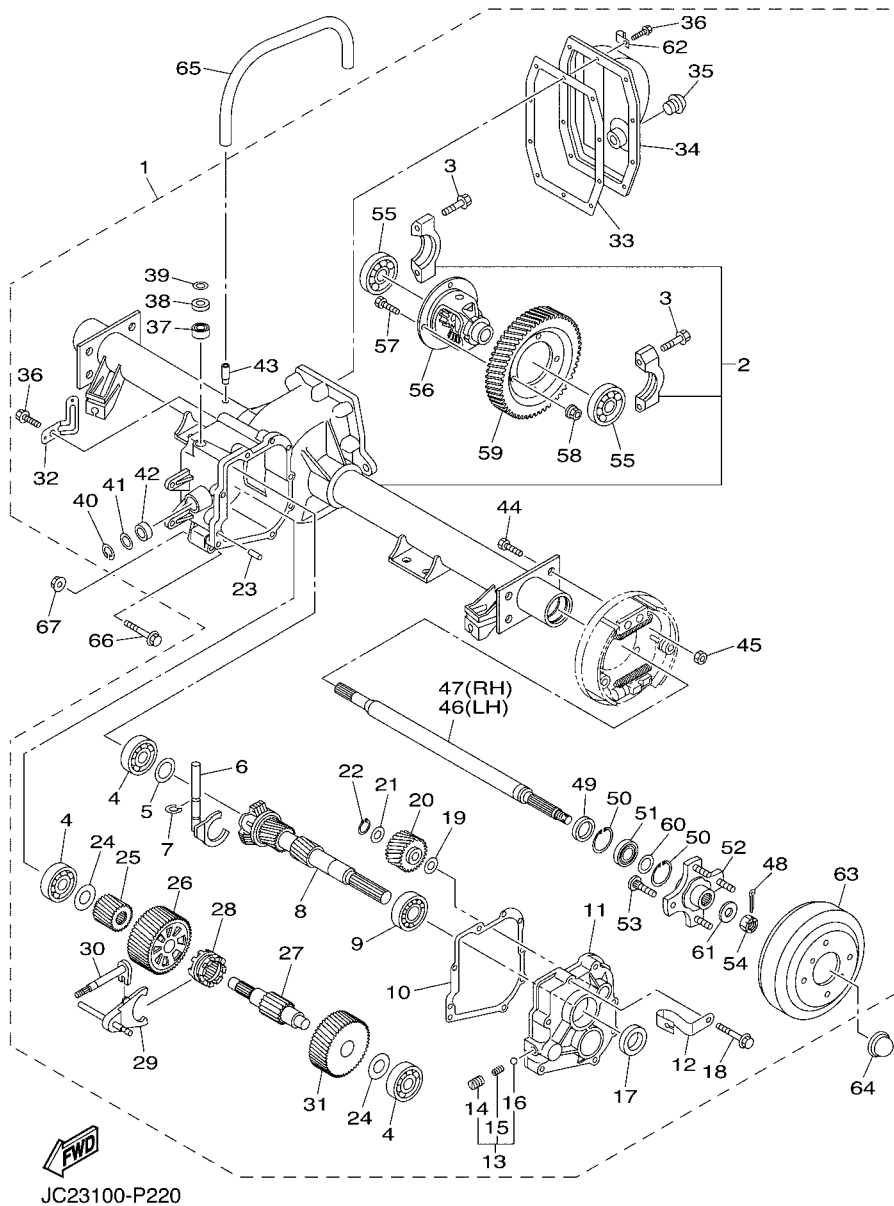
REF. NO.	PART NO.	DESCRIPTION	JC23				REMARKS
1	JW8-G6300-10	TRANS AXLE ASSY	1				
2	JW8-G6290-10	.CASE ASSY	1				
3	90105-10840	.BOLT, FLANGE	4				
4	93306-303Y6	.BEARING	3				
5	JN3-G6344-00	.SHIM, 0.76MM (0.030IN)	1				
6	JN3-G633E-01	.BAR 1	1				
7	JU0-F722H-00	.RETAINER	1				
8	JW8-G6320-00	.INPUT SHAFT ASSY	1				
9	93306-005Y1	.BEARING	1				
10	JN3-G6319-00	.GASKET	1				
11	JN3-G6313-00	.COVER, TRNSMISSION	1				
12	JN6-G6555-00	.BRACKET 2	1				
13	JU0-G6376-00	.SPRING SET	1				
14	90113-08803	..BOLT, SET	1				
15	90501-10852	..SPRING, COMPRESSION	1				
16	93500-06826	..BALL	1				
17	93102-25868	.OIL SEAL	1				
18	90105-08859	.BOLT, FLANGE	7				
19	90201-208H9	.WASHER, PLATE	1				
20	JN3-G6356-00	.GEAR, IDLER	1				
21	90201-208J0	.WASHER, PLATE	1				
22	93440-20813	.CIRCLIP	1				
23	93606-10842	.PIN, DOWEL	2				
24	90201-178H8	.WASHER, PLATE	2				
25	JN3-G6316-00	.GEAR, PINION 1	1				
26	JN3-G6326-00	.GEAR, WHEEL 1	1				
27	JN3-G633G-00	.SHAFT	1				



JC23100-P220

FIG. 22 TRANSAXLE

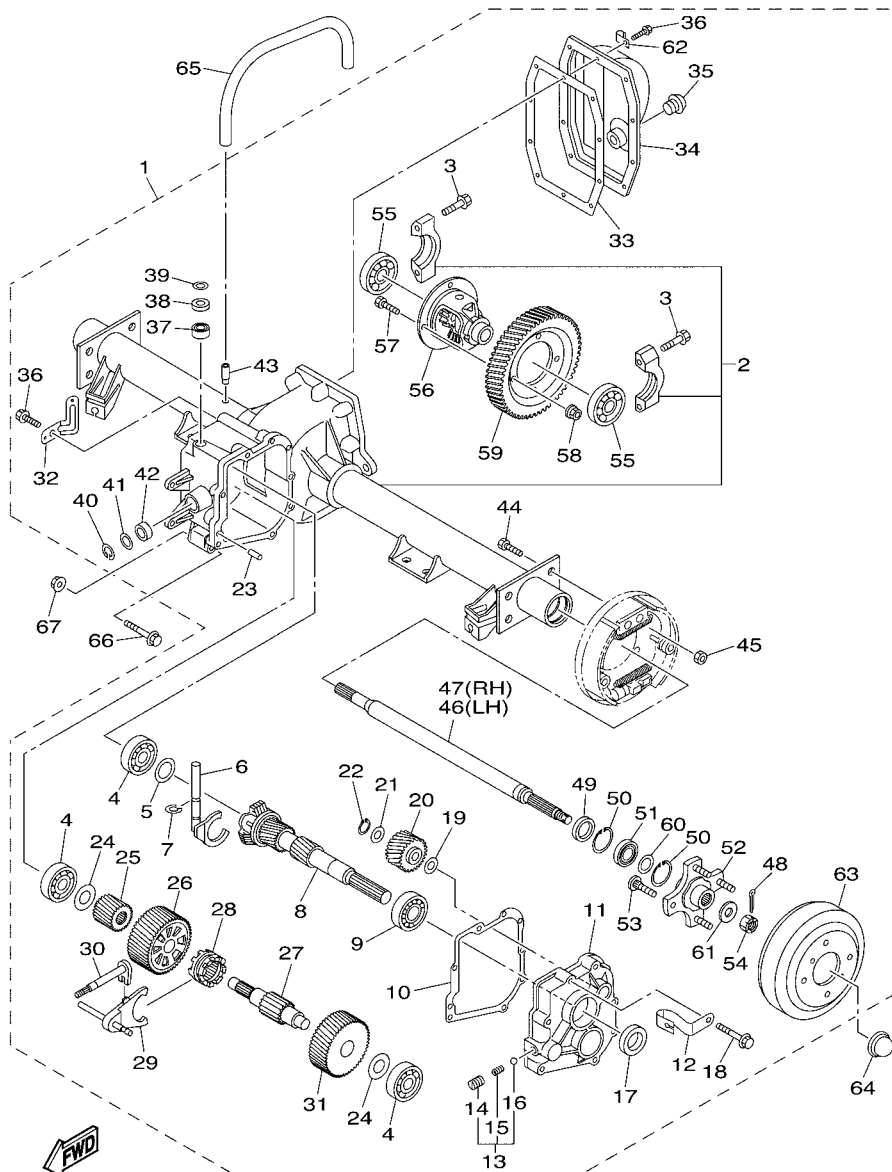
REF. NO.	PART NO.	DESCRIPTION	JC23				REMARKS
28	JN3-G6153-00	.COLLAR, GUIDE	1				
29	JN6-G638E-00	.BAR, SHIFT 2	1				
30	JN3-G638A-00	.BAR, SHIFT 1	1				
31	JN3-G6327-00	.GEAR, WHEEL 2	1				
32	JN3-G6556-00	.BRACKET 3	1				
33	JU0-G631A-00	.GSKT., CASE	1				
34	JW8-G6314-00	.COVER, TRANSMISSION	1				
35	JN3-G6432-00	.STOPPER	1				
36	90101-08856	.BOLT	10				
37	JU0-G6164-00	.BEARING 1	1				
38	93109-10820	.OIL SEAL	1				
39	JU0-F723F-00	.WASHER, SPECIAL	1				
40	93410-12822	.CIRCLIP	1				
41	90202-12807	.WASHER, PLATE	1				
42	93104-11829	.OIL SEAL	1				
43	JW8-G5378-00	.NIPPLE, HOSE	1				
44	90101-08855	.BOLT	8				
45	90170-08841	.NUT	8				
46	JN3-G6511-00	.SHAFT, REAR AXLE 1 (L.H)	1				
47	JN3-G6512-00	.SHAFT, REAR AXLE 2 (R.H)	1				
48	91490-30030	.PIN, COTTER	2				
49	93101-24822	.OIL SEAL	2				
50	93420-44805	.CIRCLIP	4				
51	93306-00440	.BEARING	2				
52	JW8-G6514-00	.HUB, REAR AXLE	2				
53	JW8-G4178-00	.BOLT, STUD	8				
54	JW8-G5244-00	.NUT	2				



JC23100-P220

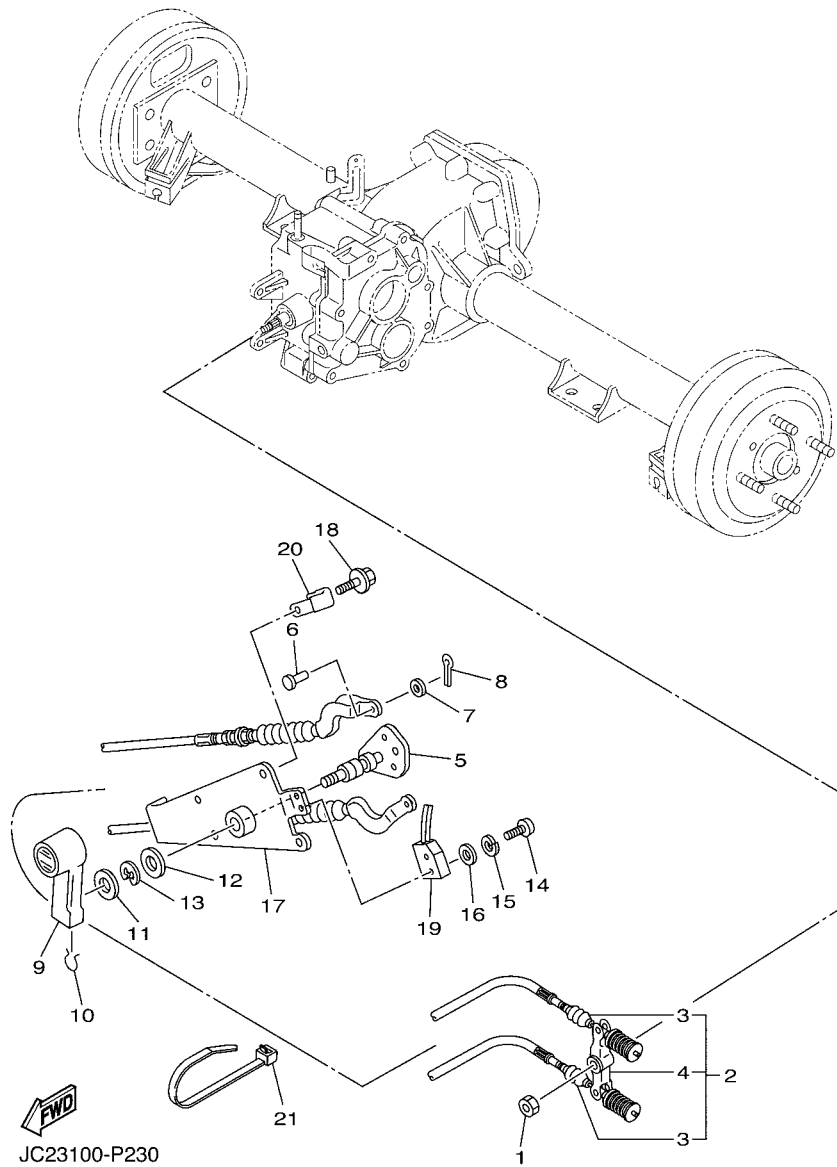
**FIG. 22 TRANSAXLE**

REF. NO.	PART NO.	DESCRIPTION	JC23				REMARKS
55	93306-007Y0	.BEARING	2				
56	JN6-G6410-00	.DIFFERENTIAL ASSY.	1				
57	90101-10854	.BOLT	4				
58	90170-10840	.NUT	4				
59	JN3-G6355-00	.GEAR, PRIMARY	1				
60	JW8-G2535-00	.WASHER, THRUST	2				
61	JW8-G2536-00	.WASHER, THRUST 2	2				
62	JW8-G2756-00	.STAY, CLAMP	1				
63	JW8-G6521-00	.DRUM	2				
64	JW8-F5118-00	COVER, HUB DUST	2				
65	JW8-G2541-00	PIPE 1	1				
66	95812-08075	BOLT, FLANGE	1				
67	95702-08500	NUT, FLANGE	1				



JC23100-P220

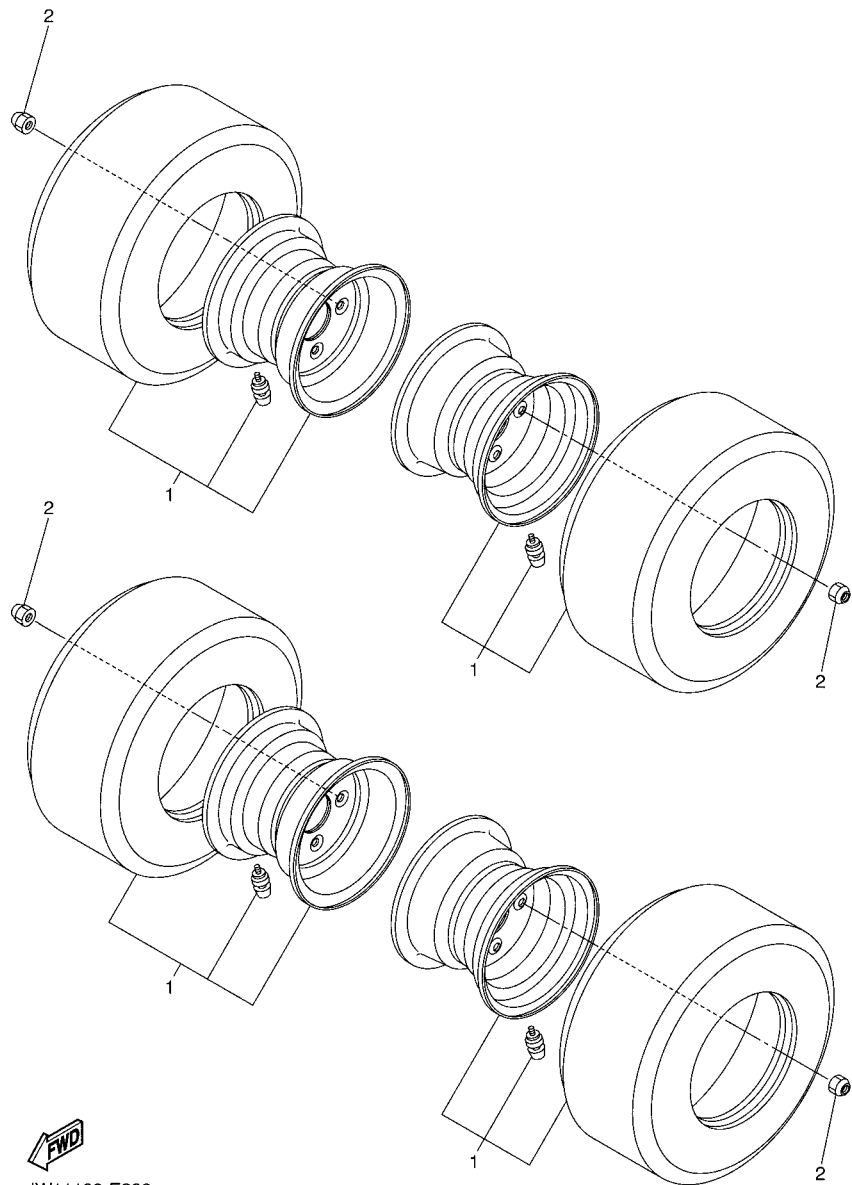




JC23100-P230

FIG. 23 SHIFTER & CABLES

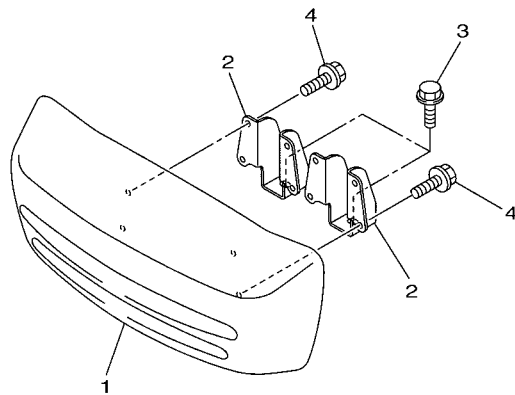
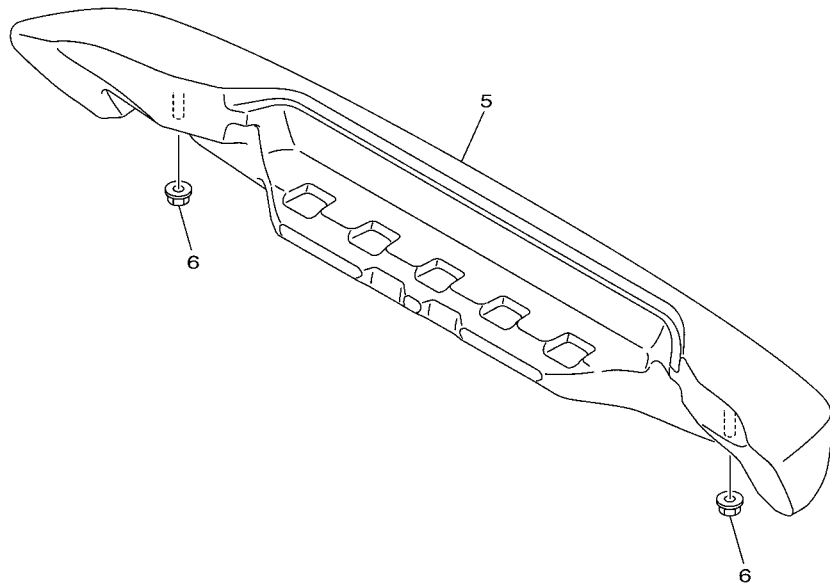
REF. NO.	PART NO.	DESCRIPTION	JC23				REMARKS
1	95602-08100	NUT, U	1				
2	JN3-G8330-10	CABLE END ASSY	1				
3	JN3-G6371-10	.WIRE, SHIFT	2				
4	J55-G6383-10	.LEVER, SHIFT 2	1				
5	JW8-G6382-00	LEVER, SHIFT 1	1				
6	91702-06014	PIN, CLEVIS	2				
7	92902-06600	WASHER, PLATE	2				
8	91402-20012	PIN, COTTER	2				
9	JN3-G6381-00	KNOB, SHIFT	1				
10	JN3-G6376-00	SPRING SET	1				
11	90201-208S8	WASHER, PLATE	1				
12	90201-198S7	WASHER, PLATE	1				
13	99009-19400	CIRCLIP	1				
14	98502-04016	SCREW, PAN HEAD	2				
15	92902-04100	WASHER, SPRING	2				
16	92902-04600	WASHER, PLATE	2				
17	JN3-G6372-00	BRACKET, SHIFT WIRE	1				
18	90105-06831	BOLT, FLANGE	3				
19	JN3-82617-01	SWITCH	1				
20	90465-06038	CLAMP	1				
21	90464-76800	CLAMP	1				



JW11100-E220

**FIG. 24 WHEEL**

REF. NO.	PART NO.	DESCRIPTION	JC23				REMARKS
1	JW1-F5100-01	WHEEL ASSY (18X8.50-8-4PLY)	4				
2	90179-12262	NUT	16				
-----							
-----							
-----							
-----							
-----							
-----							
-----							



JC06110-N230

**FIG. 25 BUMPER**

REF. NO.	PART NO.	DESCRIPTION	JC23				REMARKS
1	JW1-K7510-01	FRONT BUMPER COMP.	1				
2	JW1-K8164-00	STAY, FRONT BUMPER (L.H)	2				
3	90105-088B0	BOLT, FLANGE	2				
4	95822-06012	BOLT, FLANGE	4				
5	JW8-K7540-00	REAR BUMPER COMP.	1				
6	95602-10200	NUT, U FLANGE	2				
-----							
-----							
-----							
-----							
-----							
-----							
-----							
-----							
-----							
-----							
-----							

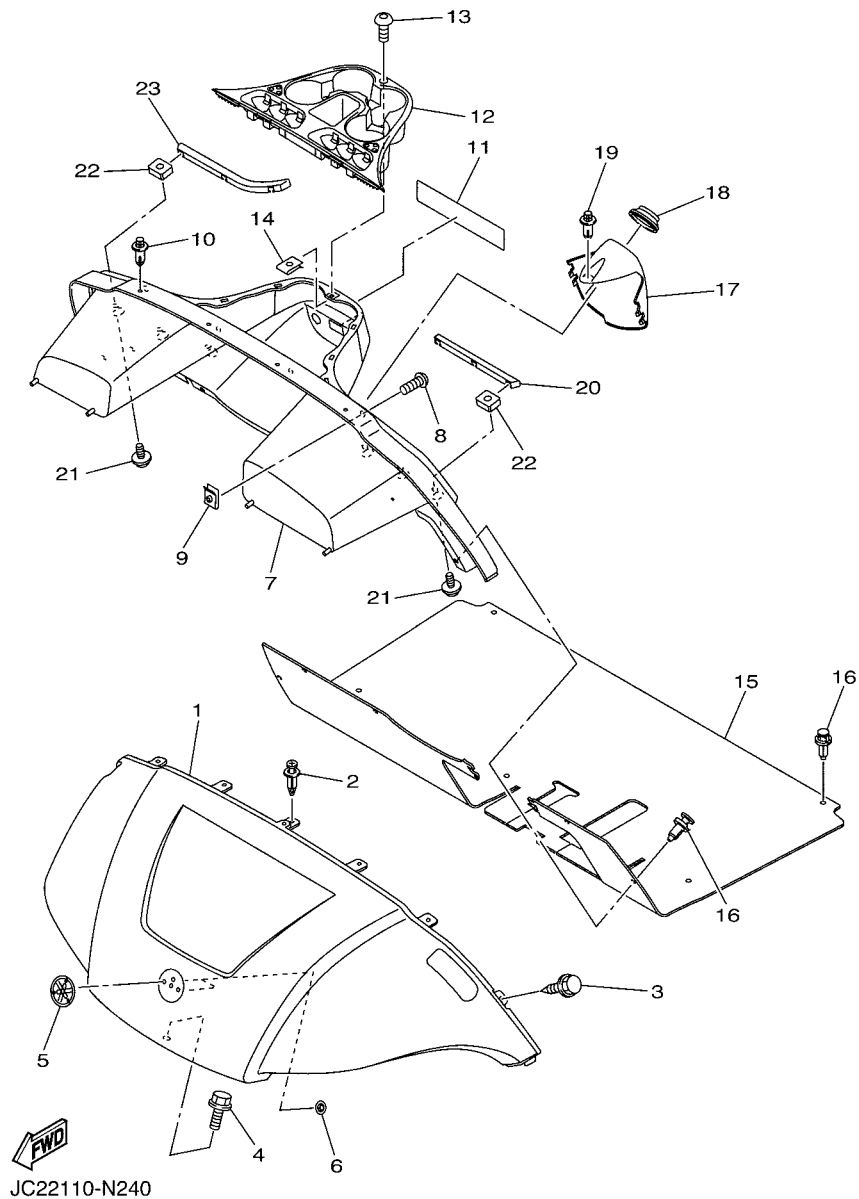


FIG. 26 BODY

REF. NO.	PART NO.	DESCRIPTION	JC23			REMARKS
1	JW1-K8115-01	COWL, FRONT	1			UR FOR WS7
	JW1-K8115-11	COWL, FRONT	1			UR FOR VDGS1
	JW1-K8115-21	COWL, FRONT	1			UR FOR HTR
	JW1-K8115-31	COWL, FRONT	1			UR FOR LNYM8
	JW1-K8115-90	COWL, FRONT	1			UR FOR LNMP
	JW1-K8115-80	COWL, FRONT	1			UR FOR DPBST
	JW1-K8115-W0	COWL, FRONT	1			UR FOR NYS4
2	90269-06800	RIVET	5			
3	JW1-F3396-01	SCREW, SPECIAL	2			
4	90105-06870	BOLT, FLANGE	1			
5	JW1-F4161-10	EMBLEM 1	1			
6	90183-06071	NUT, SPRING	2			
7	JW2-K8114-02	PANEL, FRONT	1			
8	90111-05805	BOLT,HEX. SOCKET BUTTON	4			
9	90183-05008	NUT, SPRING	4			
10	90269-07001	RIVET	5			
11	JW8-K7768-30	LABEL, WARNING 8	1			(E) CAN
	JW8-K7768-40	LABEL, WARNING 8	1			(E,F) EXCEPT CAN
	JW8-K7768-50	LABEL, WARNING 8	1			(G,S) EXCEPT CAN
12	JW8-K835E-00	HOLDER, BEVERAGE	1			
13	90111-05805	BOLT,HEX. SOCKET BUTTON	1			
14	90183-05008	NUT, SPRING	1			
15	JW1-K8233-30	MAT, MAIN FLOOR 3	1			
16	90269-09003	RIVET	10			
17	JW1-K8273-00	COVER, HOLE	1			
18	JW1-K8245-00	SEAL 1	1			
19	90269-06804	RIVET	1			

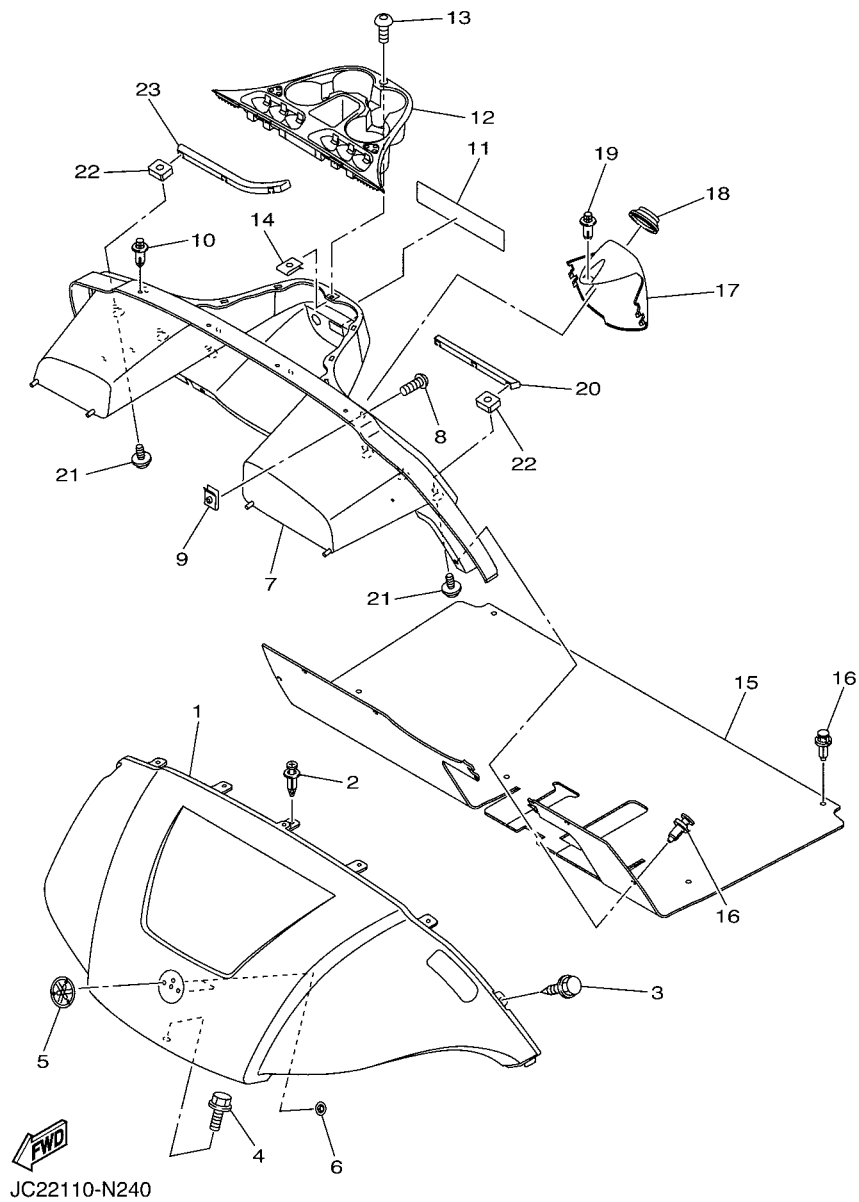
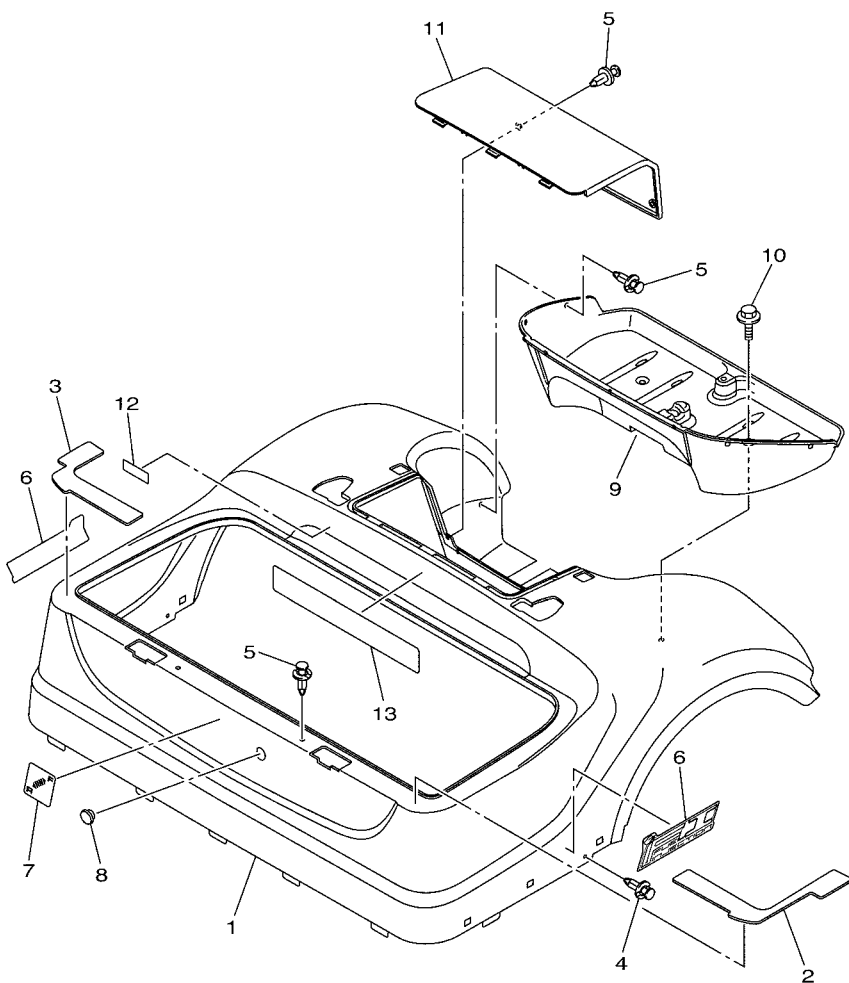


FIG. 26 BODY

REF. NO.	PART NO.	DESCRIPTION	JC23				REMARKS
20	JW1-K8261-00	PLATE, BODY PROTECT 1	1				
21	90119-06244	BOLT, WITH WASHER	6				
22	90173-06010	NUT, SQUARE	6				
23	JW1-K8262-00	PLATE, BODY PROTECT 2	1				
-----							
-----							
-----							
-----							
-----							
-----							
-----							
-----							
-----							

FIG. 27 BODY 2

REF. NO.	PART NO.	DESCRIPTION	JC23				REMARKS
1	JW1-K8142-00	PANEL, REAR BODY	1				UR FOR WS7
	JW1-K8142-10	PANEL, REAR BODY	1				UR FOR VDGS1
	JW1-K8142-20	PANEL, REAR BODY	1				UR FOR HTR
	JW1-K8142-30	PANEL, REAR BODY	1				UR FOR LNYM8
	JW1-K8142-90	PANEL, REAR BODY	1				UR FOR LNMP
	JW1-K8142-80	PANEL, REAR BODY	1				UR FOR DPBST
	JW1-K8142-W0	PANEL, REAR BODY	1				UR FOR NYS4
2	JW1-F2873-10	SEAL 1	1				
3	JW1-F2874-10	SEAL 2	1				
4	90269-06804	RIVET	2				
5	90269-08813	RIVET	11				
6	JC2-F1781-00	EMBLEM 1	2				
7	JW1-K7741-00	INDICATOR 1	1				
8	JR1-K8139-00	CAP, END	1				
9	JW1-K8237-10	COVER, REAR FLOOR	1				
10	JW1-K6179-01	BOLT, SPECIAL 1	2				
11	JW1-K8151-00	PANEL, INSPECTION LID 1	1				
12	JN6-H2377-00	LABEL	1				
13	JW1-K8297-01	PLATE, CAUTION 1 (E,F)	1				UR FOR CAN
	JW1-K8297-10	PLATE, CAUTION 1 (G,S)	1				UR EXCEPT FOR CAN



JC21110-M270

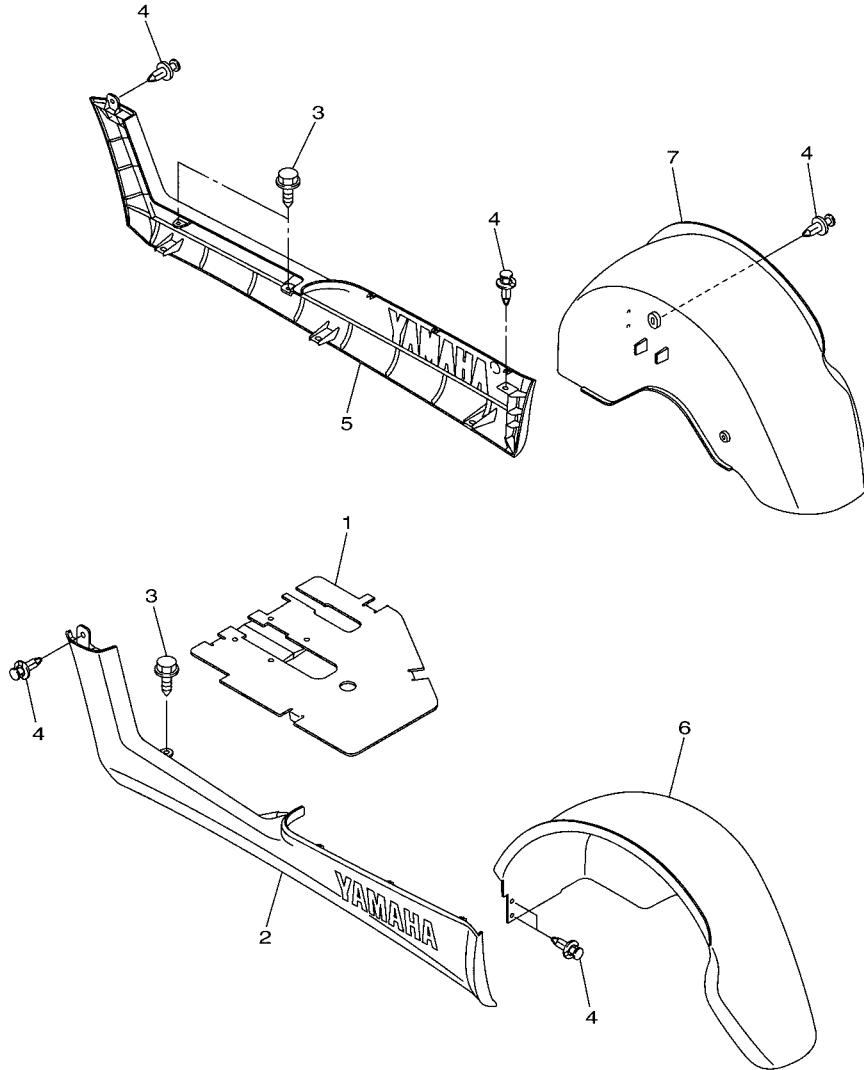


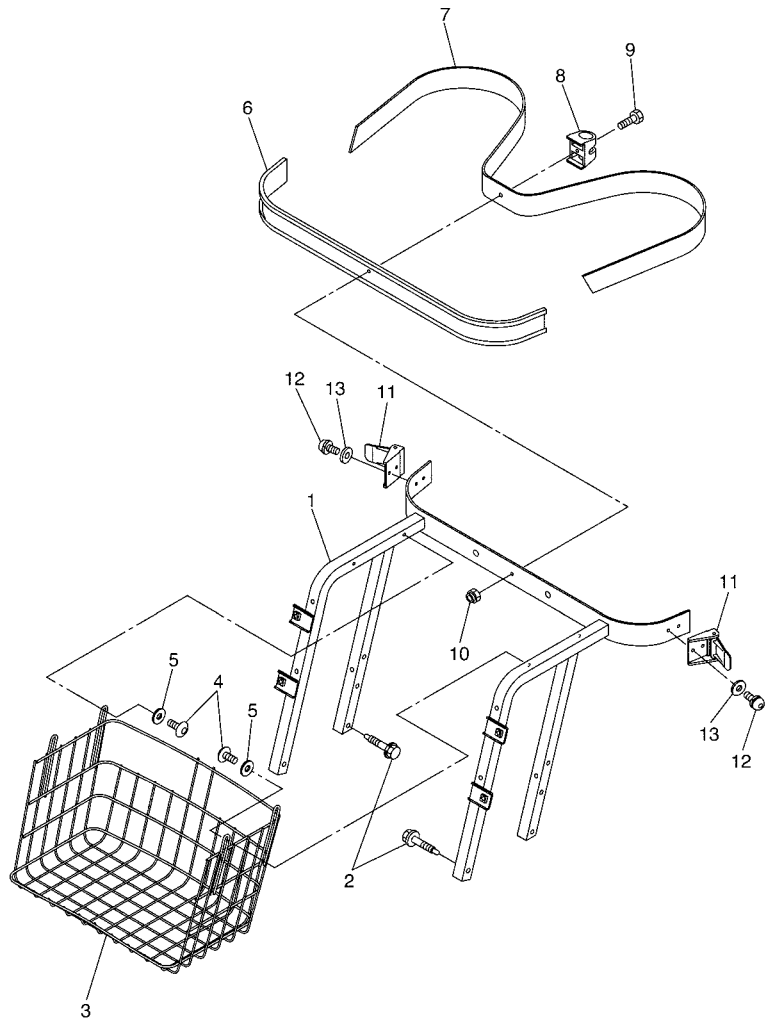
FIG. 28 BODY FITTING

REF. NO.	PART NO.	DESCRIPTION	JC23				REMARKS
1	JW1-K8270-11	LID ASSY	1				
2	JW1-K818A-00	PROTECTOR, SIDE PLATE	1				
3	JW1-F3396-01	SCREW, SPECIAL	4				
4	90269-06804	RIVET	12				
5	JW1-K818B-00	PROTECTOR, SIDE PLATE 2	1				
6	JW1-K8191-00	PANEL, REAR FENDER 1	1				
7	JW1-K8192-00	PANEL, REAR FENDER 2	1				



JC23100-P280

FIG. 29 CARRIER



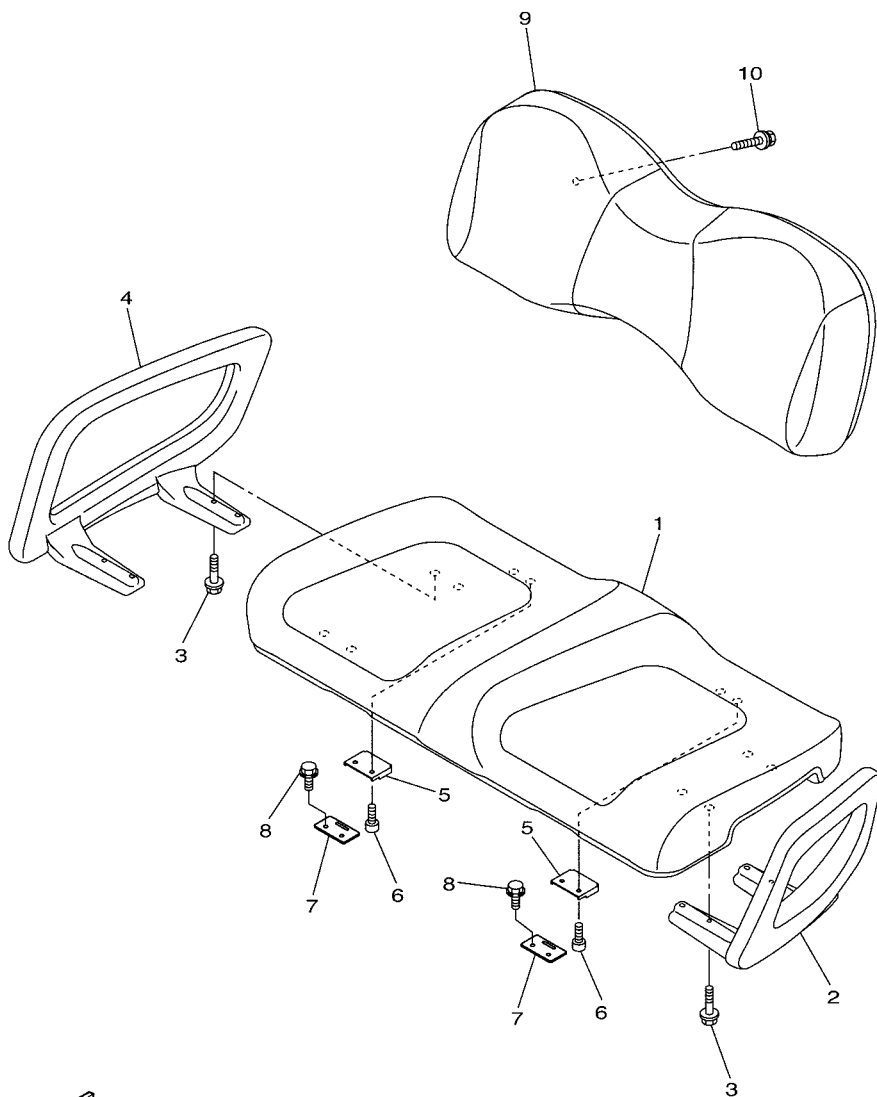
JW11100-E270

REF. NO.	PART NO.	DESCRIPTION	JC23				REMARKS
1	JW1-K8423-10	SUPPORT, SEAT BACK	1				
2	90109-08002	BOLT	4				
3	JW1-K8340-00	LUGGAGE RACK ASSY., REAR	1				
4	90110-06102	BOLT, HEXAGON SOCKET HEAD	4				
5	90201-068G7	WASHER, PLATE	4				
6	JF2-K8356-00	PAD, BAG SUPPORT	1				
7	JN6-K8355-20	BAND	1				
8	JW1-K834G-00	HOLDER, RAKE SAND	1				
9	9708R-06020	BOLT	1				
10	90185-06836	NUT, SELF-LOCKING	1				
11	JN6-K8380-00	LOCK ASSY	2				
12	90159-06845	SCREW, WITH WASHER	4				
13	9299R-06200	WASHER	4				

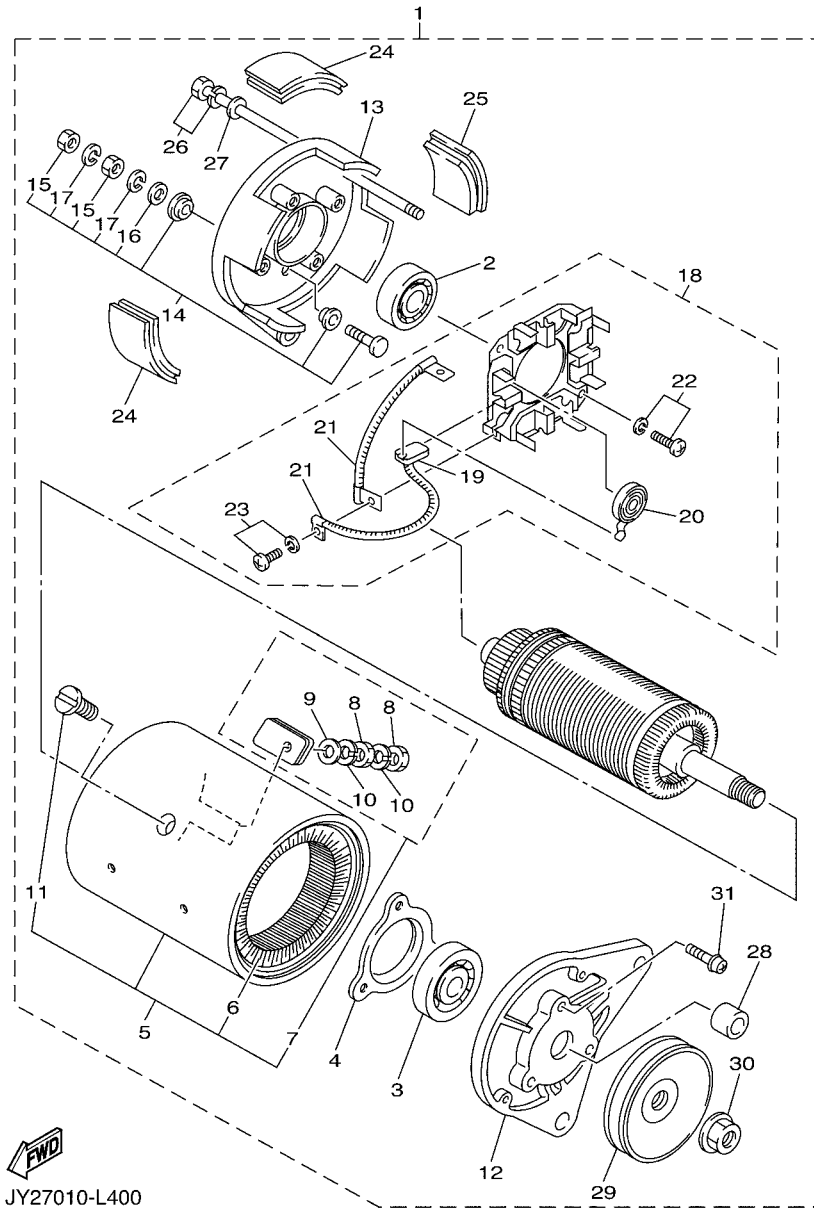


FIG. 30 SEAT

REF. NO.	PART NO.	DESCRIPTION	JC23				REMARKS
1	JW1-K8401-12	SEAT SUB-ASSY,CUSHION	1				
2	JW1-K8361-00	ARM REST 1	1				
3	90105-06129	BOLT, FLANGE	8				
4	JW1-K8362-00	ARM REST 2	1				
5	JW1-K8426-00	HINGE, SEAT 1	2				
6	90110-06125	BOLT, HEXAGON SOCKET HEAD	4				
7	JW1-K8427-00	HINGE, SEAT 2	2				
8	90163-06802	SCREW, TAPPING	4				
9	JW1-K8402-10	SEAT SUB ASSY, BACK	1				
10	90119-06808	BOLT, WITH WASHER	4				



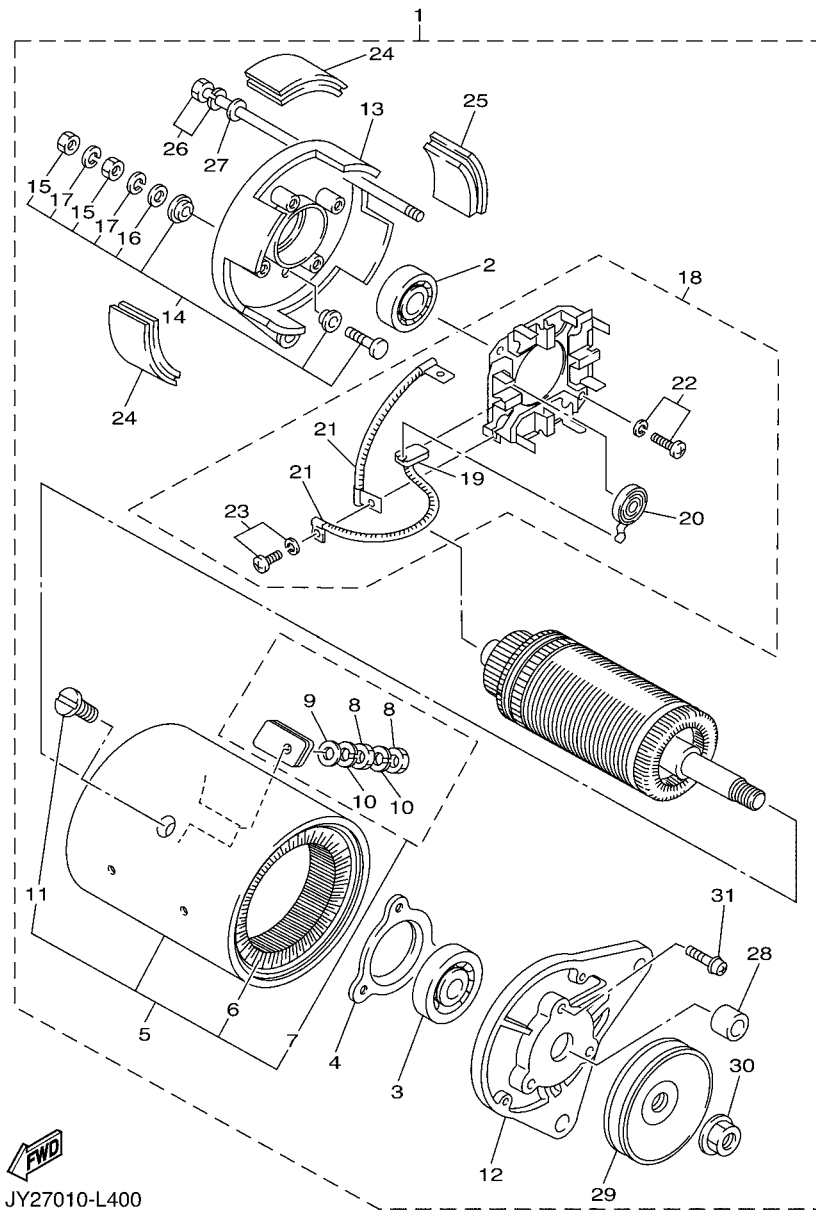
JC21110-M300



FWD  
JY27010-L400

FIG. 31 STARTING MOTOR

REF. NO.	PART NO.	DESCRIPTION	JC23				REMARKS
1	JN6-H1100-04	STARTER GENERATOR ASSY	1				
2	J10-H1157-10	.BEARING 1	1				
3	J10-H1158-10	.BEARING 2	1				
4	J10-81159-10	.HOLDER, BEARING	1				
5	JN6-H1110-10	.STATOR ASSY	1				
6	JN6-H1160-10	..FIELD COIL ASSY	1				
7	J10-81148-10	..SCREW SET 4	2				
8	9530N-06600	...NUT,HEX	2				
9	9290N-06600	...WASHER	1				
10	92907-06100	...WASHER, SPRING	2				
11	J10-81146-10	..SCREW 2	4				
12	JN6-H1165-00	.BRACKET, STARTER GENERATOR 1	1				
13	J10-H1166-10	.BRACKET, STARTER GENERATOR 2	1				
14	J10-81147-10	.SCREW SET 3	2				
15	9530N-06600	..NUT,HEX	2				
16	9290N-06600	..WASHER	1				
17	92907-06100	..WASHER, SPRING	2				
18	JN6-H1119-00	.BRUSH HOLDER ASSY	1				
19	JF2-H1111-00	..BRUSH	4				
20	JN6-H1113-00	..SPRING, BRUSH	4				
21	J10-81115-10	..WIRE, LEAD	2				
22	9850N-05016	..SCREW, PAN HEAD	2				
23	9850N-04010	..SCREW, PAN HEAD	4				
24	J10-81129-10	.COVER, BRUSH	3				
25	J10-81139-10	.COVER, BRUSH 2	1				
26	J10-H1145-10	.SCREW 1	2				
27	9290N-06600	.WASHER	2				



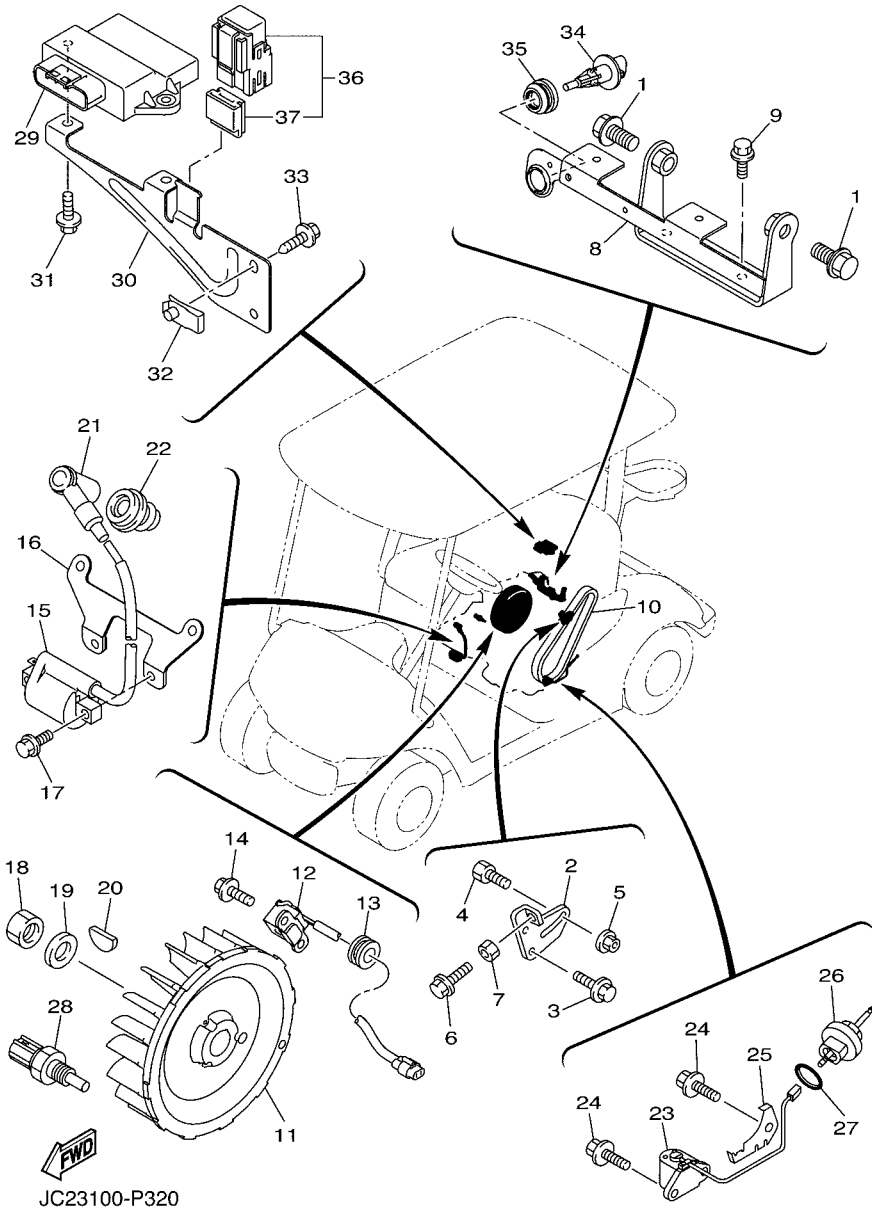
JY27010-L400

FIG. 31 STARTING MOTOR

REF. NO.	PART NO.	DESCRIPTION	JC23				REMARKS
28	JN3-H1661-00	.SPACER	1				
29	JN6-H1161-00	.PULLEY	1				
30	90179-16889	.NUT	1				
31	9850N-05018	.SCREW, PAN HEAD	3				

FIG. 32 ELECTRICAL 1

REF. NO.	PART NO.	DESCRIPTION	JC23				REMARKS
1	95812-12030	BOLT, FLANGE	2				
2	JW1-H1170-11	TENSIONER ASSY	1				
3	95822-08020	BOLT, FLANGE	2				
4	90109-08827	BOLT	1				
5	95702-08500	NUT, FLANGE	1				
6	92012-06030	BOLT, BUTTON HEAD	1				
7	95302-06600	NUT	1				
8	JC0-H1171-00	BRACKET, STARTER GENERATOR	1				
9	95822-08020	BOLT, FLANGE	2				
10	JW1-H1173-00	BELT, STARTER	1				
11	JC0-85650-10	ROTOR ASSY	1				
12	JC0-81670-10	PICK-UP ASSY	1				
13	90480-20564	GROMMET	1				
14	95822-06016	BOLT, FLANGE	2				
15	1S4-82310-00	IGNITION COIL ASSY	1				
16	JC0-82316-00	BRACKET, IGNITION COIL	1				
17	95822-06016	BOLT, FLANGE	2				
18	95302-18600	NUT	1				
19	90201-18620	WASHER, PLATE	1				
20	90280-04052	KEY, WOODRUFF	1				
21	JN6-82370-00	PLUG CAP ASSY	1				
22	JE8-82372-00	SEAL, PLUG CAP	1				
23	JT0-85720-00	OIL LEVEL GAUGE ASSY	1				
24	95817-06012	BOLT, FLANGE	3				
25	JT0-85724-00	CLAMP	1				
26	JT0-15362-00	PLUG, OIL LEVEL	1				
27	93210-15566	O-RING	1				



**FIG. 32 ELECTRICAL 1**

REF. NO.	PART NO.	DESCRIPTION	JC23				REMARKS
28	4P9-83591-00	THERMO UNIT	1				
29	JC0-8591A-02	ENGINE CONTROL UNIT ASSY	1				
30	JC0-F253B-00	STAY, RELAY	1				
31	90119-06156	BOLT, WITH WASHER	2				
32	90183-06811	NUT, SPRING	2				
33	JW1-K6179-01	BOLT, SPECIAL 1	2				
34	5CA-85886-00	SENSOR, AIR TEMPRATURE	1				
35	5CA-14435-00	GROMMET	1				
36	1TP-81950-00	RELAY ASSY (1TP-00)	1				
37	5EA-81952-00	.HOLDER, RELAY	1				
<hr/>							
<hr/>							
<hr/>							
<hr/>							
<hr/>							
<hr/>							
<hr/>							
<hr/>							
<hr/>							

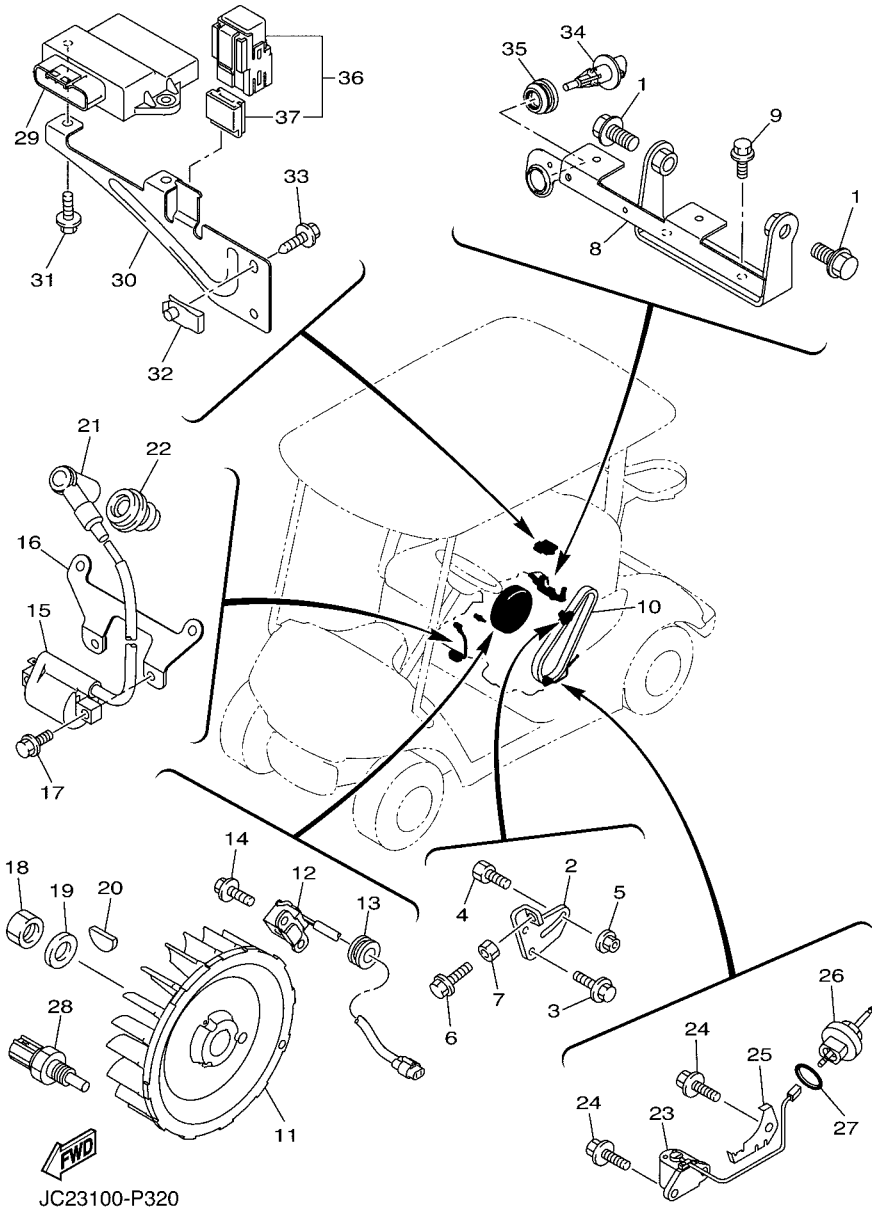


FIG. 33 ELECTRICAL 2

REF. NO.	PART NO.	DESCRIPTION	JC23				REMARKS
1	JW1-H2133-00	SCREW, FITTING	2				
2	J55-H2136-00	PLATE, BATTERY FITTING	1				
3	92902-06200	WASHER	2				
4	95702-06500	NUT, FLANGE	2				
5	JW1-H2115-01	WIRE, PLUS LEAD	1				
6	JW1-H2116-02	WIRE, MINUS LEAD	1				
7	JW1-H2117-00	WIRE, LEAD	1				
8	JC2-H2590-10	WIRE HARNESS ASSY	1				
9	JN6-H2151-00	.FUSE (10 A)	1				
10	JU7-H2151-00	.FUSE (20 A)	1				
11	JC0-82149-00	WIRE, LEAD 3	1				
12	JW1-H1950-00	RELAY ASSY	1				
13	90179-05807	.NUT	2				
14	90179-08824	.NUT	2				
15	90105-06831	BOLT, FLANGE	2				
16	JF2-81910-10	VOLTAGE REGULATOR ASSY	1				
17	90105-06870	BOLT, FLANGE	1				
18	JF7-82817-22	SWITCH	1				
19	98502-05025	SCREW, PAN HEAD	2				
20	92902-05600	WASHER, PLATE	2				
21	JR1-H3383-02	BUZZER	1				
22	JN6-H3386-01	STAY, BUZZER	1				
23	*	BATTERY ASSY	1				LM
24	90464-20237	CLAMP	5				
25	90461-14108	CLAMP	1				
26	90464-09823	CLAMP	1				
27	90464-20005	CLAMP	3				

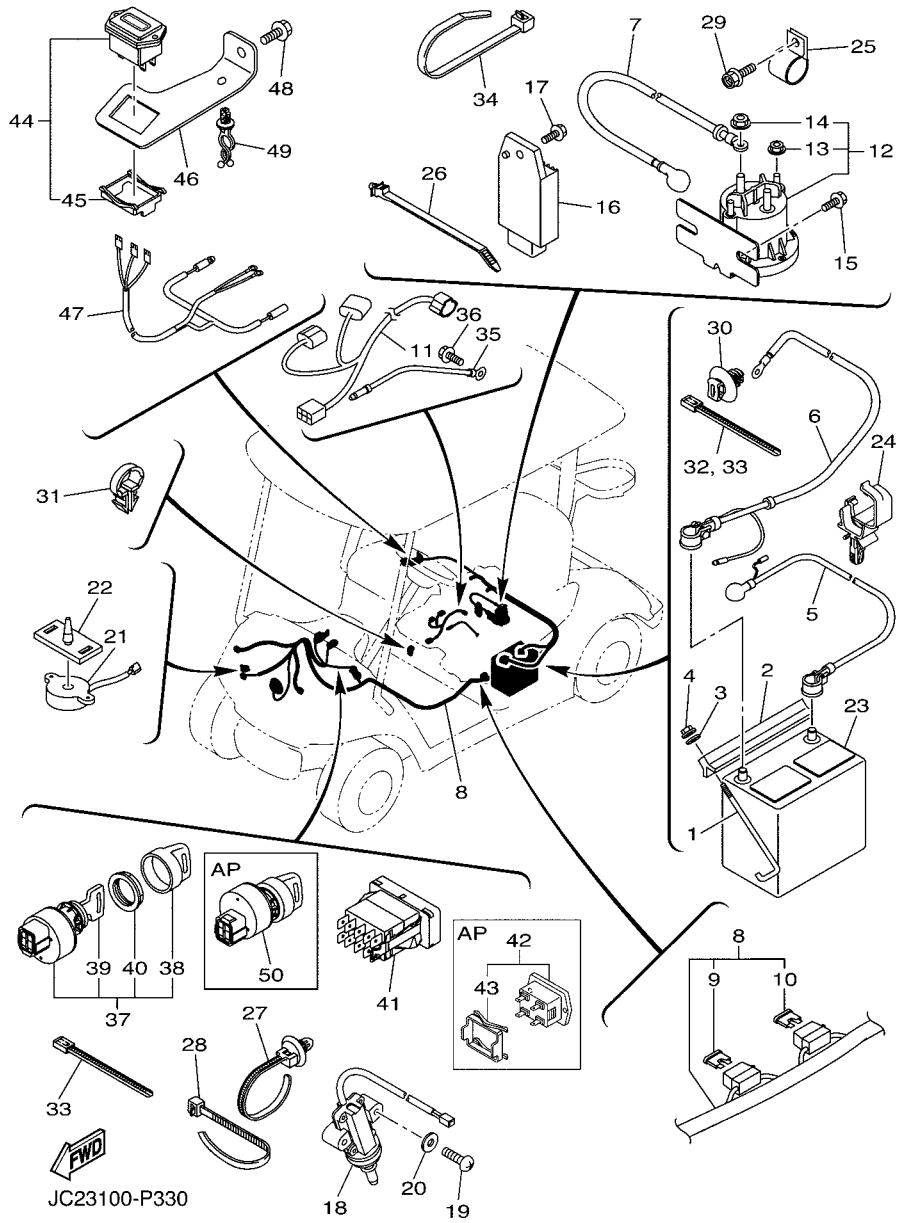
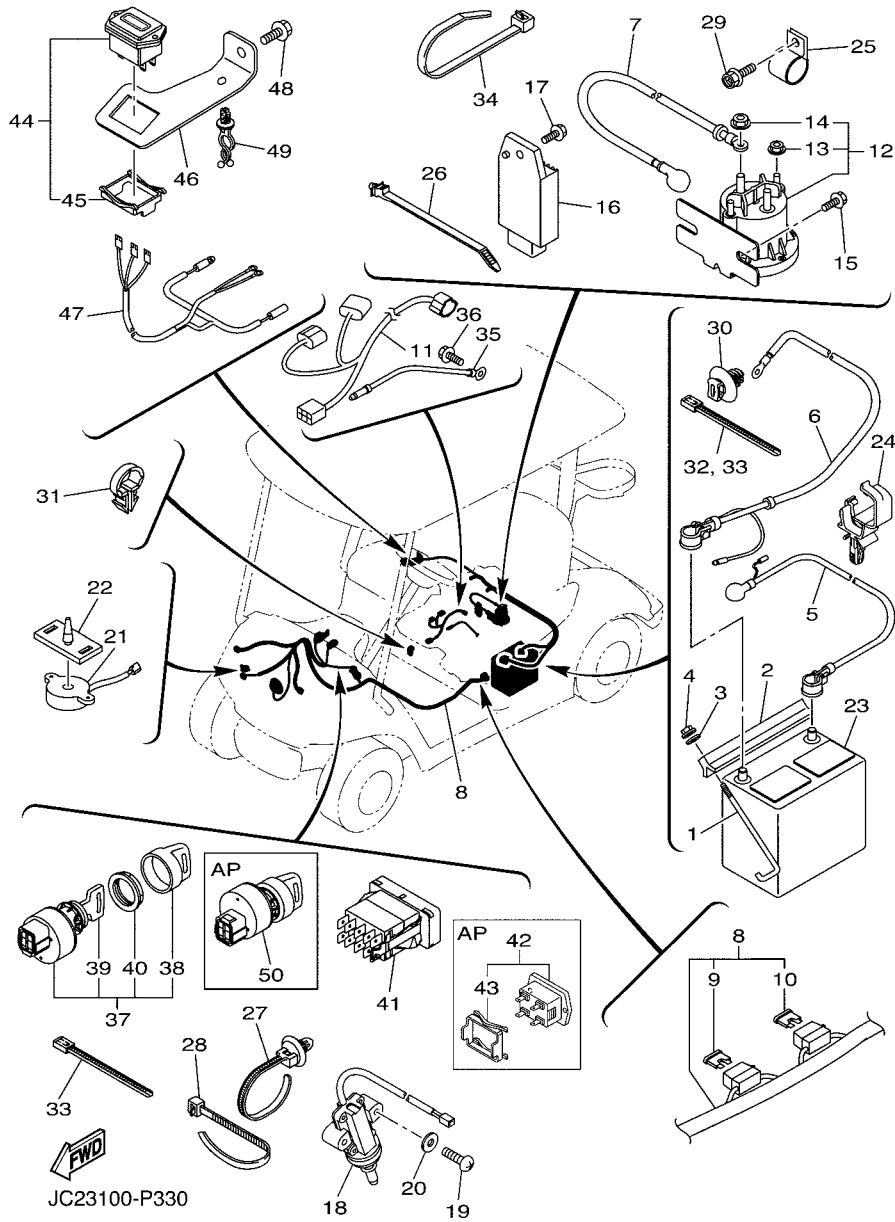
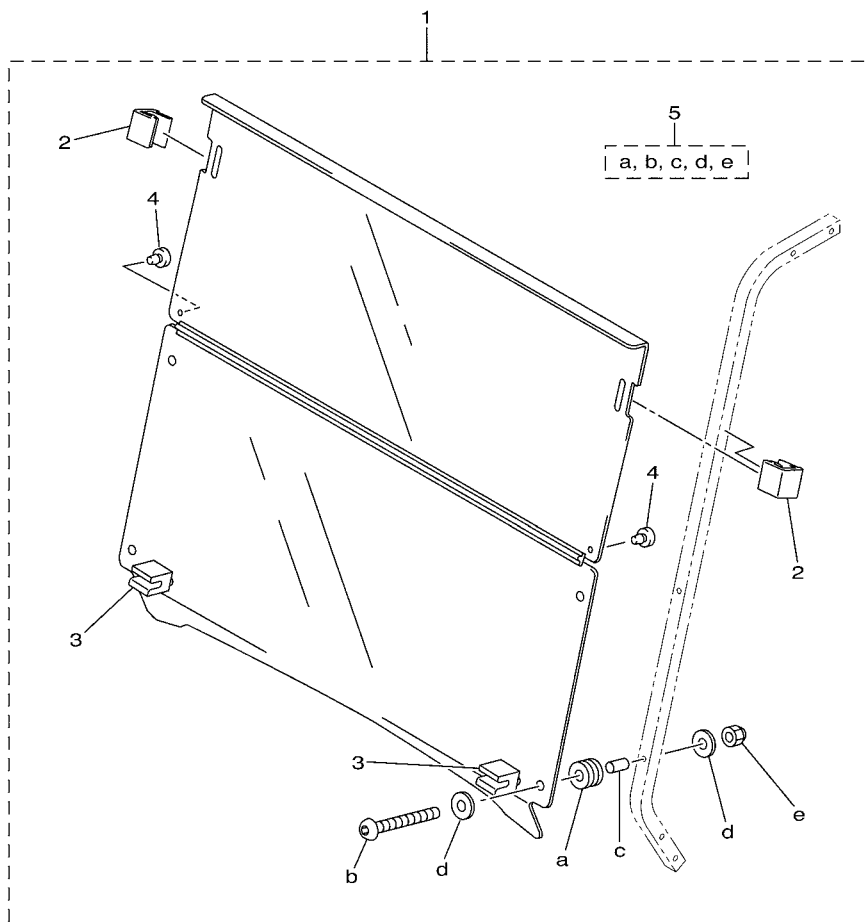


FIG. 33 ELECTRICAL 2

REF. NO.	PART NO.	DESCRIPTION	JC23				REMARKS
28	90464-48800	CLAMP	3				
29	90105-08867	BOLT, FLANGE	1				
30	5UG-F2465-10	HOLDER	2				
31	90464-19815	CLAMP	1				
32	90464-40825	CLAMP	1				
33	90464-40825	CLAMP	3				
34	90464-76800	CLAMP	2				
35	JC0-82519-00	WIRE, EARTH LEAD	1				
36	95822-06012	BOLT, FLANGE	1				
37	JW1-H2510-00	MAIN SWITCH ASSY	1				STD
38	5UG-H2579-00	.CAP, KEY	1				
39	JU2-H2511-00	.KEY, MAIN SWITCH	2				
40	JU6-H2569-00	.NUT, MAIN SWITCH	1				
41	JW8-H3530-00	PILOT LIGHT ASSY	1				STD
42	JN6-H351C-10	GAUGE 1	1				AP
43	JW1-H1128-00	.CLAMP	1				
44	JN6-H351C-10	GAUGE 1	1				STD
45	JW1-H1128-00	.CLAMP	1				
46	JW1-F4881-00	BRKT., METER	1				
47	JW1-H2386-10	EXTENSION, WIRE HARNESS	1				
48	90105-06831	BOLT, FLANGE	1				
49	90464-12836	CLAMP	1				
50	JU2-H2510-20	MAIN SWITCH ASSY	1				AP RANOMEKEY





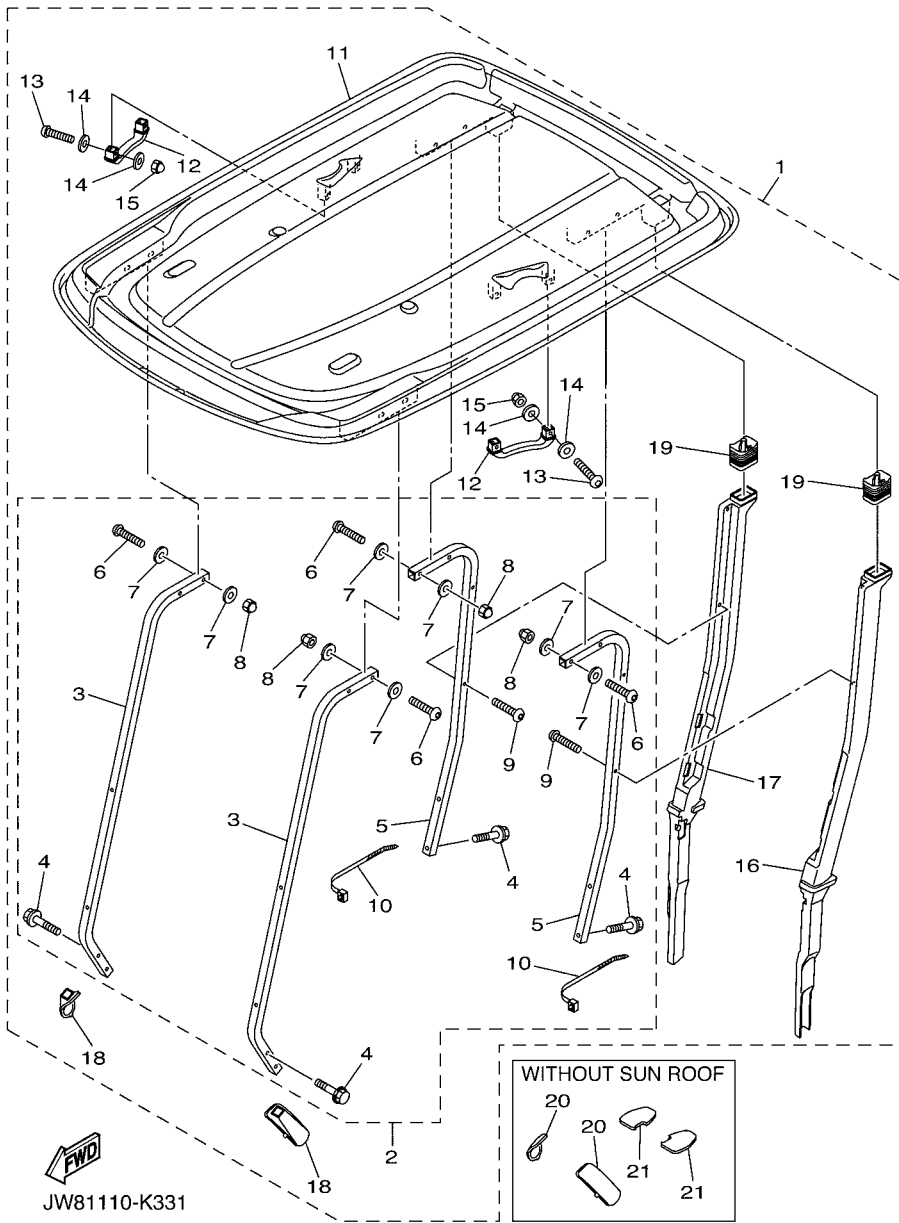
JC23100-P340

FIG. 34 ALTERNATE FOR WINDSHIELD

REF. NO.	PART NO.	DESCRIPTION	JC23				REMARKS
1	JW8-K7200-21	WINDSHIELD ASSY, HINGED(CLEAR)	1				UR AP
	JW8-K7200-31	WINDSHIELD ASSY, HINGED(SMOKE)	1				UR AP
2	JW8-K7173-00	.LEVER, LATCH 1	2				
3	JW8-K7222-10	.BRACKET, WINDSHIELD(R.H)	2				
4	JW8-K8167-00	.BUMPER, RUBBER 1	2				
5	GCA-JW122-00	.HARDWARE KIT	1				



FIG. 35 ALTERNATE FOR SUN ROOF



REF. NO.	PART NO.	DESCRIPTION	JC23				REMARKS
1	JW1-K84A0-01	SUN TOP KIT	1				AP
2	JW1-K84A2-01	.HARDWARE KIT, SUN TOP	1				
3	JW1-K8312-00	..SUPPORT, SUN ROOF 1	2				
4	JW1-K8388-00	..BOLT, ROOF 1	8				
5	JW1-K8313-01	..SUPPORT, SUN ROOF 2	2				
6	JU0-K8388-00	..BOLT, ROOF 1	8				
7	JW1-F1549-01	..WASHER, FENDER MOLD	16				
8	JU0-K8398-00	..NUT, ROOF 1	8				
9	JW1-K7387-00	..SCREW	4				
10	90464-76800	..CLAMP	2				
11	JW1-K8314-10	.COVER, SUN ROOF	1				
12	JW1-K8214-00	.GRIP, HAND	2				
13	JU0-K8388-00	.BOLT, ROOF 1	4				
14	JW1-F1549-01	.WASHER, FENDER MOLD	8				
15	JU0-K8398-00	.NUT, ROOF 1	4				
16	JW1-F413G-00	.TUBE, DRAIN	1				
17	JW1-F413J-00	.TUBE, DRAIN 2	1				
18	JW1-K832F-10	.GROMMET, ROOF SUPPORT 1	2				AP
19	JW1-F414G-10	.SEAL	2				
20	JW1-K832H-00	GROMMET, ROOF SUPPORT 3	2				AP
21	JW1-K833H-00	GROMMET, ROOF SUPPORT 4	2				AP

NUMERICAL INDEX

PART NO.	REF. NO.	PART NO.	REF. NO.	PART NO.	REF. NO.	PART NO.	REF. NO.	PART NO.	REF. NO.	PART NO.	REF. NO.
JT0-11111-00	2 - 1	5CA-14435-00	32 - 35	JT0-85720-00	32 - 23	JW1-F3512-00	13 - 5	JW9-F5673-00	17 - 45	JW9-F7871-10	17 - 36
JN6-11116-00	2 - 10	7KY-14613-01	8 - 3	JT0-85724-00	32 - 25	JU0-F3521-10	13 - 12	JW8-F5681-10	16 - 5	JW8-F7872-30	17 - 37
JN6-11133-10	2 - 2	JC0-15111-00	9 - 1	5CA-85886-00	32 - 34	5UG-F3527-00	14 - 21	JN6-F5685-01	16 - 6	JW8-F815H-01	17 - 42
JR7-11163-10	2 - 19	J38-15361-00	9 - 18	JC0-8591A-02	32 - 29	JU0-F3570-20	13 - 1	JW8-F6311-10	17 - 50	JW8-F8319-00	17 - 29
JN6-11168-00	2 - 11	JT0-15362-00	32 - 26	JW1-E1116-00	2 - 17	JW1-F3811-02	14 - 1	JC0-F6312-10	6 - 18	JW8-F8323-00	17 - 24
JN6-11169-00	2 - 12	796-15363-01	9 - 16	JW1-E1166-00	2 - 16	JW1-F3812-00	14 - 13	JW8-F6314-00	17 - 21	JW8-F8331-00	17 - 47
JT0-11181-00	2 - 3	JN6-15411-01	9 - 8	JU0-E3505-09	6 - 14	JW1-F3822-01	14 - 29	JW8-F6341-10	16 - 1	JW8-F8363-00	17 - 7
JN6-11191-01	2 - 9	JY2-15451-00	9 - 12	JU0-E4411-00	6 - 10	JU0-F3828-10	14 - 4	JW8-F6351-10	16 - 2	JW8-G2535-00	22 - 60
JN6-11193-00	2 - 13	JC0-19001-70	1 - 1	JU0-E4412-00	6 - 11	1P0-F3833-00	14 - 26	JW8-F639L-00	17 - 22	JW8-G2536-00	22 - 61
812-11198-00	9 - 6	JT0-21481-00	10 - 3	5UH-E4424-00	6 - 17	JW1-F3837-00	14 - 22	JW8-F639N-00	17 - 9	JW8-G2541-00	22 - 65
JN6-11400-00	3 - 1	401-22128-01	13 - 16	JU0-E4450-00	6 - 12	JN3-F3838-00	14 - 6	JW8-F7113-00	17 - 11	JW8-G2756-00	22 - 62
JN6-11454-10	3 - 8	2NL-23448-00	13 - 9	JU0-E445E-00	6 - 13	5UG-F3844-00	14 - 19	JW8-F7117-00	17 - 6	JW8-G4178-00	22 - 53
JR7-11610-00	3 - 3	2NL-23517-00	13 - 11	JW8-E4710-01	8 - 1	JU0-F3857-11	14 - 3	JW8-F7118-00	17 - 41	JW8-G4189-00	20 - 6
JR7-11610-10	3 - 3	2HR-23526-00	13 - 3	JW1-E4713-00	8 - 4			JW8-F7119-00	17 - 28	JW8-G5244-00	22 - 54
JR7-11610-20	3 - 3	JW8-23841-01	14 - 27	JW8-E7688-00	21 - 7	JW1-F3866-00	14 - 24	JW8-F7121-00	17 - 13	JW8-G5282-00	20 - 18
JR7-11631-00-A0	3 - 2	4WM-24180-00	15 - 14	JW8-F1153-00	12 - 5	JW1-F387A-00	14 - 11	JW9-F7200-21	17 - 2	JW8-G5378-00	22 - 43
583-11633-00	3 - 4	1S3-24486-00	15 - 9	JW8-F135J-00	20 - 7	JW1-F387E-00	14 - 14	JW8-F7213-20	17 - 34	JW8-G5531-00	21 - 9
JR7-11635-00	3 - 2	18P-24491-00	15 - 8		21 - 4	5UG-F387F-00	14 - 17	JW8-F7217-00	17 - 32	JW8-G5618-00	20 - 10
JR7-11636-00	3 - 2	J38-27204-00	18 - 15	JW8-F1436-00	8 - 2	5UG-F387G-00	14 - 15	JW8-F7218-00	17 - 10		20 - 15
JN6-11650-10	3 - 6	J38-27205-00	18 - 4	JW1-F1549-01	35 - 7	5UG-F387J-00	14 - 18	JW9-F7221-00	17 - 14	JW8-G5621-00	20 - 16
JN6-11654-10	3 - 7	J55-27260-00	18 - 9		35 - 14	5UG-F387K-00	14 - 16	JW9-F7228-00	17 - 23	JW8-G5677-00	21 - 12
JN6-12111-10	4 - 2	J55-27270-00	18 - 20	JW1-F1738-00	12 - 6	JW1-F3894-00	14 - 25	JU0-F722H-00	22 - 7	JW8-G5697-20	21 - 15
J38-12117-01	4 - 6	J10-27282-00	18 - 6		12 - 8	JC0-F4111-01	15 - 1	JW9-F7231-10	17 - 18	JN3-G6153-00	22 - 28
J38-12118-00	4 - 7		18 - 17		15 - 5	JW1-F4112-00	15 - 3	JW9-F7232-00	17 - 19	JW8-G6159-00	21 - 8
4G0-12119-00	4 - 13	J38-27951-00	19 - 1		15 - 20	JW1-F413G-00	35 - 16	JU0-F723F-00	22 - 39	JU0-G6164-00	22 - 37
7RH-12121-10	4 - 3	J38-27959-00	19 - 5	JC2-F1781-00	27 - 6	JW1-F413J-00	35 - 17	JW9-F7245-10	17 - 30	JW8-G6201-22	20 - 1
JN6-12151-10	4 - 8	J10-81115-10	31 - 21	JW8-F2110-11	11 - 1	JW1-F414G-10	35 - 19	JW9-F7246-20	17 - 46	JW8-G6202-22	21 - 1
JN6-12153-10	4 - 4	J10-81129-10	31 - 24	JN6-F2123-10	11 - 2	JW1-F4161-10	26 - 5	JW8-F7280-00	18 - 13	JW8-G6205-21	20 - 9
JR7-12154-10	4 - 12	J10-81139-10	31 - 25	JN6-F2124-10	11 - 6	7CC-F4170-00	15 - 13	JW8-F7281-00	18 - 5	JW8-G6210-00	20 - 2
J38-12156-20	4 - 11	J10-81146-10	31 - 11	JW1-F217G-10	11 - 10	JW1-F419A-11	15 - 19		18 - 16	JW8-G6220-22	20 - 3
22F-12159-10	4 - 9	J10-81147-10	31 - 14	JW1-F2210-10	11 - 14	JW7-F4314-10	15 - 16	JW8-F7286-00	18 - 10	JW8-G6231-21	20 - 17
JR7-12170-00	4 - 1	J10-81148-10	31 - 7	5UG-F2465-10	33 - 30	JW1-F4316-00	15 - 17		18 - 21	JW8-G6236-20	20 - 12
JN6-12616-00	5 - 3	J10-81159-10	31 - 4	JW8-F2501-01	12 - 1	JW1-F4317-00	15 - 18	JW8-F7290-00	18 - 2	JW8-G6237-20	20 - 13
JN6-12621-02	5 - 1	JC0-81670-10	32 - 12	JC0-F253B-00	32 - 30	JU5-F4375-00	15 - 4	JW8-F7316-01	17 - 31	J55-G6241-00	20 - 21
JR7-12634-00	5 - 11	JF2-81910-10	33 - 16	JW8-F253B-00	12 - 4	JW8-F4425-00	12 - 2	JW8-F7317-00	17 - 40	JW8-G6249-00	20 - 19
JN6-12651-01	5 - 5	1TP-81950-00	32 - 36	JW1-F258G-02	12 - 9	JW8-F4486-00	17 - 44	JW8-F7318-00	17 - 20	JW8-G624A-00	20 - 4
JN6-12652-00	5 - 7	5EA-81952-00	32 - 37	JW1-F2873-10	27 - 2		17 - 48	JW8-F7322-00	17 - 15	JW8-G624B-00	21 - 5
JR7-12658-00	5 - 6	JC0-82149-00	33 - 11	JW1-F2874-10	27 - 3	JW1-F4610-00	15 - 2	JW1-F7411-20	12 - 7	JW8-G6251-21	20 - 8
JX4-12691-00	5 - 9	1S4-82310-00	32 - 15	JW7-F312H-00	15 - 12	JW8-F4619-01	12 - 3	JW8-F7416-00	17 - 8	JW8-G6253-00	20 - 5
JC0-13567-00	6 - 4	JC0-82316-00	32 - 16	JW1-F3183-00	14 - 12	JW1-F467K-00	14 - 23	JW8-F7426-01	17 - 17	JW8-G6260-22	21 - 2
JN6-13567-00	6 - 3	JN6-82370-00	32 - 21	JW8-F3183-00	17 - 16	JW1-F4881-00	33 - 46	JW8-F7434-00	17 - 39	JW8-G6270-21	21 - 3
	6 - 5	JE8-82372-00	32 - 22	JW1-F3350-10	13 - 14	JW1-F5100-01	24 - 1	JW8-F7438-00	17 - 38	JW8-G6275-10	21 - 11
JC0-13595-00	6 - 1	1C7-82380-00	7 - 2	JW1-F3390-10	13 - 19	JW8-F5118-00	22 - 64	JW8-F7445-30	17 - 33	JW8-G6284-00	21 - 6
JC0-13750-00	7 - 1	JC0-82519-00	33 - 35	JW1-F3396-01	26 - 3	JN6-F5118-01	13 - 29	JW8-F7814-21	17 - 3	JW8-G6290-10	22 - 2
JC0-13770-00	7 - 4	JN3-82617-01	23 - 19		28 - 3	JW8-F5415-00	17 - 25		17 - 43	JW8-G6300-10	18 - 1
JC0-13907-00	15 - 7	JF7-82817-22	33 - 18	JW1-F3400-00	14 - 10	JW9-F5666-00	17 - 12	JW8-F7825-01	17 - 27		22 - 1
JC0-13971-00	15 - 11	4P9-83591-00	32 - 28	5UG-F3489-00	14 - 20	JW9-F5671-00	17 - 5	JW8-F7850-30	17 - 1	JN3-G6313-00	22 - 11
5CA-14147-00	7 - 5	JC0-85650-10	32 - 11	JU0-F3511-10	13 - 4	JW9-F5672-00	17 - 4	JW8-F7853-10	17 - 35	JW8-G6314-00	22 - 34

NUMERICAL INDEX

PART NO.	REF. NO.	PART NO.	REF. NO.	PART NO.	REF. NO.	PART NO.	REF. NO.	PART NO.	REF. NO.	PART NO.	REF. NO.
JN3-G6316-00	22 - 25	JN3-H1661-00	31 - 28	JW1-K8142-00	27 - 1	JW1-K8426-00	30 - 5	90170-08841	22 - 45	90387-046N7	14 - 37
JN3-G6319-00	22 - 10	JW1-H1950-00	33 - 12	JW1-K8142-10	27 - 1	JW1-K8427-00	30 - 7	90170-10840	22 - 58	90387-12016	13 - 15
JU0-G631A-00	22 - 33	JW1-H2115-01	33 - 5	JW1-K8142-20	27 - 1	JW1-K84A0-01	35 - 1	90173-06010	26 - 22	90387-241M7	13 - 25
JW8-G6320-00	22 - 8	JW1-H2116-02	33 - 6	JW1-K8142-30	27 - 1	JW1-K84A2-01	35 - 2	90179-05807	33 - 13	90461-14108	33 - 25
JN3-G6326-00	22 - 26	JW1-H2117-00	33 - 7	JW1-K8142-80	27 - 1	JN9-W2536-00	18 - 3	90179-08822	16 - 7	90462-05061	2 - 15
JN3-G6327-00	22 - 31	JW1-H2133-00	33 - 1	JW1-K8142-90	27 - 1		18 - 14	90179-08824	33 - 14	90464-09823	33 - 26
JN3-G633E-01	22 - 6	J55-H2136-00	33 - 2	JW1-K8142-W0	27 - 1	JG5-WF511-10	13 - 21	90179-12262	24 - 2	90464-12836	33 - 49
JN3-G633G-00	22 - 27	JN6-H2151-00	33 - 9	JW1-K8151-00	27 - 11	90101-08855	22 - 44	90179-13800	11 - 4	90464-19815	33 - 31
JN3-G6344-00	22 - 5	JU7-H2151-00	33 - 10	JW1-K8164-00	25 - 2	90101-08856	22 - 36	90179-16889	31 - 30	90464-20005	33 - 27
JN3-G6355-00	22 - 59	JN6-H2377-00	27 - 12	JW8-K8167-00	34 - 4	90101-10854	22 - 57	90183-05008	26 - 9	90464-20237	33 - 24
JN3-G6356-00	22 - 20	JW1-H2386-10	33 - 47	JW1-K818A-00	28 - 2	90105-06129	30 - 3		26 - 14	90464-40825	15 - 15
JN3-G6371-10	23 - 3	JW1-H2510-00	33 - 37	JW1-K818B-00	28 - 5	90105-06831	12 - 10	90183-06071	26 - 6		33 - 32
JN3-G6372-00	23 - 17	JU2-H2510-20	33 - 50	JW1-K8191-00	28 - 6		23 - 18	90183-06811	32 - 32		33 - 33
JW8-G6374-00	21 - 10	JU2-H2511-00	33 - 39	JW1-K8192-00	28 - 7		33 - 15	90185-06836	29 - 10	90464-48800	33 - 28
JN3-G6376-00	23 - 10	JU6-H2569-00	33 - 40	JW1-K8214-00	35 - 12		33 - 48	90185-12008	14 - 7	90464-76800	23 - 21
JU0-G6376-00	22 - 13	5UC-H2579-00	33 - 38	JW1-K8233-30	26 - 15	90105-06862	6 - 16	90201-04810	14 - 35		33 - 34
JN3-G6381-00	23 - 9	JC2-H2590-10	33 - 8	JW1-K8237-10	27 - 9	90105-06870	26 - 4	90201-068G7	29 - 5		35 - 10
JW8-G6382-00	23 - 5	JR1-H3383-02	33 - 21	JW1-K8245-00	26 - 18		33 - 17	90201-10057	2 - 5	90465-06038	23 - 20
J55-G6383-10	23 - 4	JN6-H3386-01	33 - 22	JW1-K8261-00	26 - 20	90105-08002	21 - 14		9 - 15	90467-13847	2 - 20
JN3-G638A-00	22 - 30	JN6-H351C-10	33 - 42	JW1-K8262-00	26 - 23	90105-08859	22 - 18	90201-121H8	18 - 12	90468-10049	6 - 8
JN6-G638E-00	22 - 29		33 - 44	JW1-K8270-11	28 - 1	90105-08867	12 - 11		18 - 23	90468-10050	17 - 52
JN6-G6410-00	22 - 56	JW8-H3530-00	33 - 41	JW1-K8273-00	26 - 17		33 - 29	90201-121H9	18 - 11	90468-20196	16 - 4
JN3-G6432-00	22 - 35	GCA-JW122-00	34 - 5	JW1-K8297-01	27 - 13	90105-088B0	25 - 3		18 - 22	90480-20564	32 - 13
JN3-G6511-00	22 - 46	JW1-K6179-01	27 - 10	JW1-K8297-10	27 - 13	90105-10219	13 - 8	90201-128S4	11 - 9	90501-10852	22 - 15
JN3-G6512-00	22 - 47		32 - 33	JW1-K8312-00	35 - 3	90105-10267	13 - 13	90201-178H8	22 - 24	90501-264A9	4 - 5
JW8-G6514-00	22 - 52	JW8-K7173-00	34 - 2	JW1-K8313-01	35 - 5		13 - 20	90201-18620	32 - 19	90502-10013	14 - 36
JW8-G6521-00	22 - 63	JW8-K7200-21	34 - 1	JW1-K8314-10	35 - 11	90105-10373	13 - 6	90201-198S7	23 - 12	90506-14001	18 - 8
JN6-G6555-00	22 - 12	JW8-K7200-31	34 - 1	JW1-K832F-10	35 - 18	90105-10840	22 - 3	90201-208H9	22 - 19		18 - 19
JN3-G6556-00	22 - 32	JW8-K7222-10	34 - 3	JW1-K832H-00	35 - 20	90105-10847	14 - 28	90201-208J0	22 - 21	90506-20281	18 - 7
JW8-G7339-00	20 - 20	JW1-K7387-00	35 - 9	JW1-K833H-00	35 - 21	90105-13800	11 - 3	90201-208S8	23 - 11		18 - 18
JN3-G8330-10	23 - 2	JW1-K7510-01	25 - 1	JW1-K8340-00	29 - 3	90109-08002	29 - 2	90202-12807	22 - 41	90508-16460	17 - 53
JN6-H1100-04	31 - 1	JW8-K7540-00	25 - 5	JW1-K834G-00	29 - 8	90109-08827	32 - 4	90208-14801	13 - 27	90508-40678	19 - 4
JN6-H1110-10	31 - 5	JW1-K7741-00	27 - 7	JN6-K8355-20	29 - 7	90110-06102	29 - 4	90209-08018	21 - 13	90560-05001	17 - 54
JF2-H1111-00	31 - 19	JW8-K7762-00	14 - 38	JF2-K8356-00	29 - 6	90110-06125	30 - 6	90249-14129	16 - 9	90560-08251	15 - 6
JN6-H1113-00	31 - 20	JW8-K7762-11	14 - 38	JW8-K8357-00	14 - 32	90111-05805	26 - 8	90269-06800	26 - 2	91402-20012	23 - 8
JN6-H1119-00	31 - 18	JW8-K7762-21	14 - 38	JN6-K8358-01	14 - 33		26 - 13	90269-06804	26 - 19	91490-25015	16 - 12
JW1-H1128-00	33 - 43	JW8-K7768-30	26 - 11	JW8-K835E-00	26 - 12	90113-04803	20 - 11		27 - 4	91490-30030	22 - 48
	33 - 45	JW8-K7768-40	26 - 11	JW1-K8361-00	30 - 2		20 - 14		28 - 4	91702-05010	6 - 7
J10-H1145-10	31 - 26	JW8-K7768-50	26 - 11	JW1-K8362-00	30 - 4	90113-08803	22 - 14	90269-07001	26 - 10	91702-05014	17 - 51
J10-H1157-10	31 - 2	JW2-K8114-02	26 - 7	JN6-K8380-00	29 - 11	90114-12806	13 - 22	90269-08813	27 - 5	91702-06014	23 - 6
J10-H1158-10	31 - 3	JW1-K8115-01	26 - 1	JU0-K8388-00	35 - 6	90119-06156	32 - 31	90269-09003	26 - 16	91702-08018	16 - 11
JN6-H1160-10	31 - 6	JW1-K8115-11	26 - 1		35 - 13	90119-06244	26 - 21	90269-10001	5 - 10	91702-10026	16 - 3
JN6-H1161-00	31 - 29	JW1-K8115-21	26 - 1	JW1-K8388-00	35 - 4	90119-06808	30 - 10	90280-04052	32 - 20	92012-06030	32 - 6
JN6-H1165-00	31 - 12	JW1-K8115-31	26 - 1	JU0-K8398-00	35 - 8	90119-06884	6 - 6	90340-12097	9 - 5	92902-04100	23 - 15
J10-H1166-10	31 - 13	JW1-K8115-80	26 - 1		35 - 15	90119-10044	11 - 5	90381-17067	13 - 10	92902-04600	23 - 16
JW1-H1170-11	32 - 2	JW1-K8115-90	26 - 1	JW1-K8401-12	30 - 1	90159-06845	29 - 12	90381-18001	13 - 2	92902-05600	33 - 20
JC0-H1171-00	32 - 8	JW1-K8115-W0	26 - 1	JW1-K8402-10	30 - 9	90163-06802	30 - 8	90386-08141	19 - 3	92902-06200	33 - 3
JW1-H1173-00	32 - 10	JR1-K8139-00	27 - 8	JW1-K8423-10	29 - 1	90170-05302	4 - 10	90386-12800	17 - 26	92902-06600	23 - 7

NUMERICAL INDEX

PART NO.	REF. NO.	PART NO.	REF. NO.	PART NO.	REF. NO.	PART NO.	REF. NO.	PART NO.	REF. NO.	PART NO.	REF. NO.
92902-08100	8 - 7	95602-06200	19 - 6	9850N-05016	31 - 22						
92902-08600	8 - 8	95602-08100	23 - 1	9850N-05018	31 - 31						
	14 - 31	95602-08200	8 - 5	99001-07600	6 - 9						
92902-10100	11 - 12	95602-08710	2 - 18	99001-09600	16 - 10						
92902-10200	10 - 2	95602-10200	10 - 1	99009-19400	23 - 13						
92902-10600	11 - 13		11 - 16	99530-08016	9 - 7						
92902-12200	14 - 8		13 - 7	99530-14016	2 - 6						
92907-06100	31 - 10		25 - 6								
	31 - 17	95602-12200	11 - 8								
9290N-06600	31 - 9		14 - 9								
	31 - 16	95602-14100	13 - 28								
	31 - 27	95612-12100	13 - 18								
9299R-06200	29 - 13	95622-08618	2 - 7								
93101-24822	22 - 49	95702-06500	33 - 4								
93102-25868	22 - 17	95702-08500	6 - 2								
93102-30083	13 - 26		22 - 67								
93102-35014	9 - 3		32 - 5								
	9 - 10	95802-06020	5 - 2								
93104-11829	22 - 42		5 - 8								
93109-10820	22 - 38	95812-06025	7 - 6								
93210-15566	32 - 27	95812-08020	14 - 2								
93210-22344	9 - 17		17 - 49								
93210-398D6	6 - 15	95812-08045	9 - 13								
93306-00440	22 - 51	95812-08075	22 - 66								
93306-005Y1	22 - 9	95812-10055	11 - 15								
93306-005Y3	13 - 24	95812-12030	32 - 1								
93306-007Y0	22 - 55	95812-12065	11 - 7								
93306-20201	9 - 4	95812-12080	13 - 17								
	9 - 11	95817-06012	32 - 24								
93306-204X0	13 - 23	95822-06012	25 - 4								
93306-20714	9 - 9		33 - 36								
93306-303Y6	22 - 4	95822-06016	32 - 14								
93306-30709	9 - 2		32 - 17								
93410-12822	22 - 40	95822-06030	2 - 14								
93420-44805	22 - 50	95822-08020	32 - 3								
93440-20813	22 - 22		32 - 9								
93450-21053	3 - 5	97002-08025	8 - 6								
93500-06826	22 - 16	97012-08030	14 - 30								
93606-10842	22 - 23	97012-10020	11 - 11								
94702-00343	2 - 8	97012-10050	9 - 14								
94702-00348	2 - 8	97012-10070	2 - 4								
95302-06600	32 - 7	9708R-06020	29 - 9								
95302-06800	15 - 10	97702-40525	14 - 34								
95302-18600	32 - 18	97702-60420	5 - 4								
95307-08700	16 - 8	98502-04016	23 - 14								
9530N-06600	31 - 8	98502-05025	33 - 19								
	31 - 15	98502-06014	7 - 3								
95380-06600	19 - 2	9850N-04010	31 - 23								